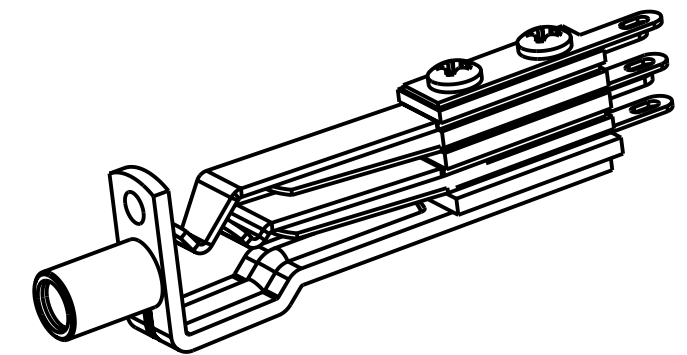
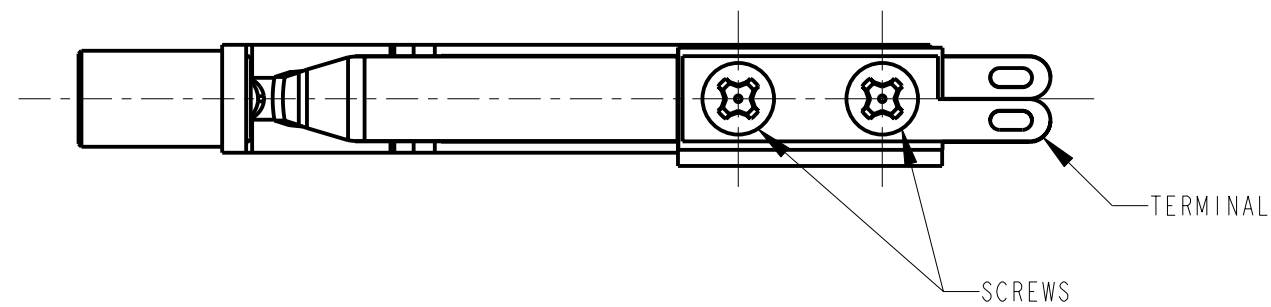
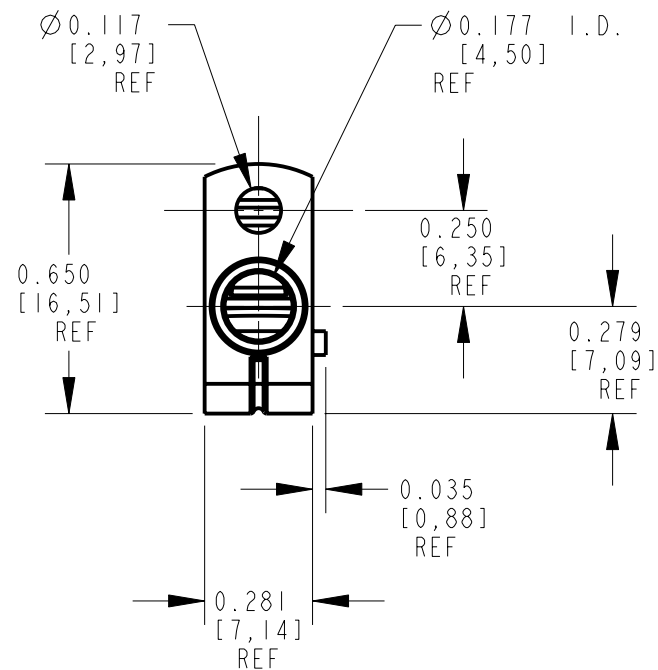
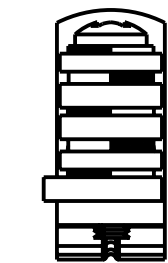
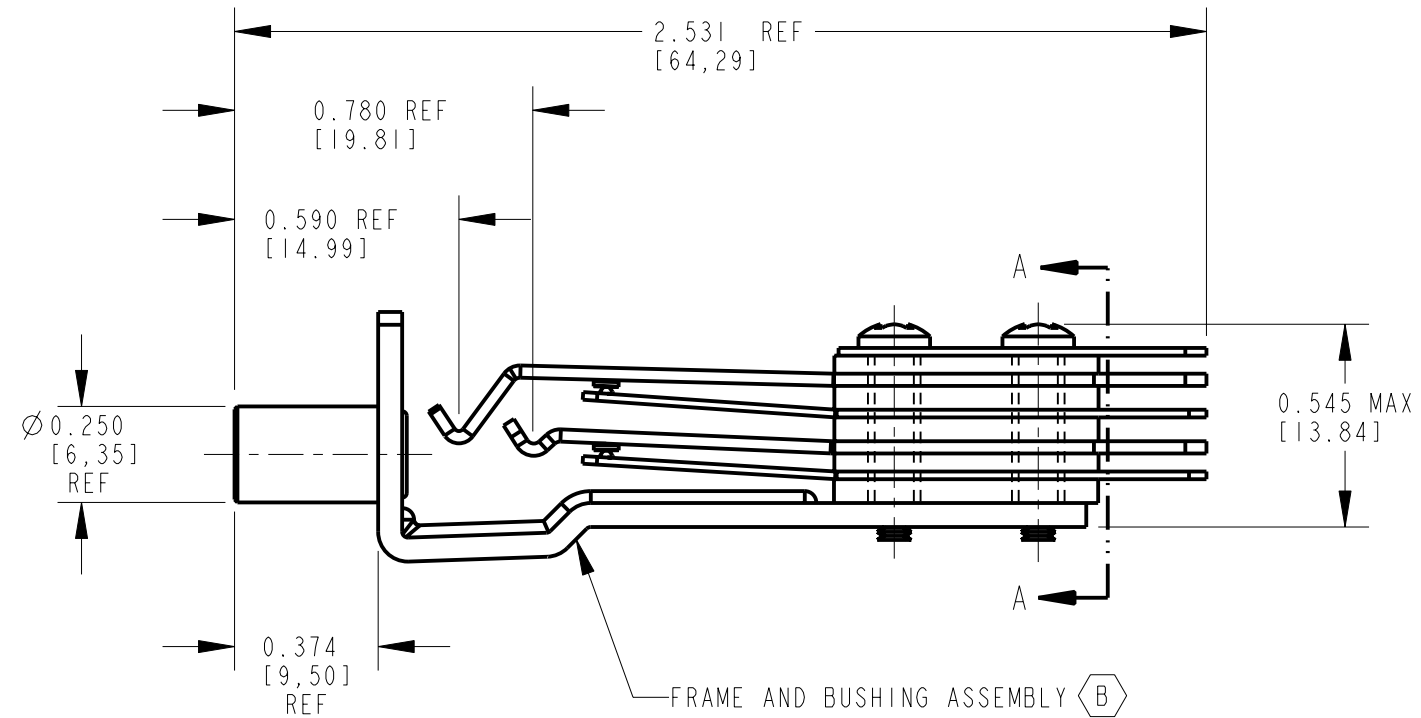


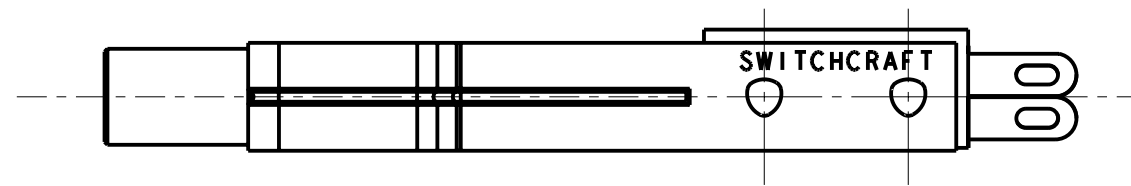
SCHEMATIC



SCALE 3:2



SECTION A-A



NOTES:

1. MATERIALS:

- FRAME - STEEL, NICKEL PLATED
- BUSHING - BRASS, NICKEL PLATED
- SPRINGS - NICKEL SILVER, SPRING TEMPERED
- CONTACTS - WELDED CROSS BAR, PALLADIUM
- SPACERS - PHENOLIC, TYPE PBE-P
- TERMINAL - HOT TIN DIPPED LEAD FREE
- LIFTER/SPACER - THERMOPLASTIC
- SCREWS - STEEL, ZINC ELECTROPLATE W/ YELLOW TRIVALENT CHROMATE (C)

2. MATES WITH TT253 OR TT254 PLUG.

3. THIS PRODUCT IS RoHS COMPLIANT.

CUSTOMER DRAWING

					★ STAR SYMBOL DENOTES CRITICAL DIMENSION	THIS DRAWING DESCRIBES A DESIGN CONSIDERED PROPRIETARY IN NATURE, DEVELOPED AND MANUFACTURED BY SWITCHCRAFT INC. AND IS RELEASED ON A CONFIDENTIAL BASIS FOR IDENTIFICATION PURPOSES ONLY.					
					UNLESS OTHERWISE SPECIFIED	SIZE	WIDTH	MULT	LBS/M	TEMPER	
					1. ALL DIMENSIONS IN INCHES - TWO PLACE DECIMALS ±0.01 - THREE PLACE DECIMALS ±0.005 - ANGLES ±1° - ALL DIA. CONCENTRIC WITHIN 0.005 T.I.R.	FINISH		MATERIAL			
					2. FEATURES ON THE SAME CENTERLINE MUST BE ALIGNED WITHIN ±0.002	SPEC No.		SPEC No.			
					3. REMOVE ALL BURRS	FIRST USED ON		SCALE 2:1			
C	27710	5-31-16	TO	TJK	DATE DRAWN		BY	CHKD	APVD	<b>Switchcraft</b> <sup>®</sup>	
B	25554	2-1-07	TO	TJK	27-Oct-10	TO	TO	TJK	10-27-10		
A	25269	1-26-06	TO	TJK	NAME		TELEPHONE JACK 3 CONDUCTOR, RoHS			SHEET 1 OF 1	
REV	ECO NUMBER	DATE	BY	APVD	DO NOT SCALE DRAWING					PART No.	REV
REVISIONS										TT34BX	C