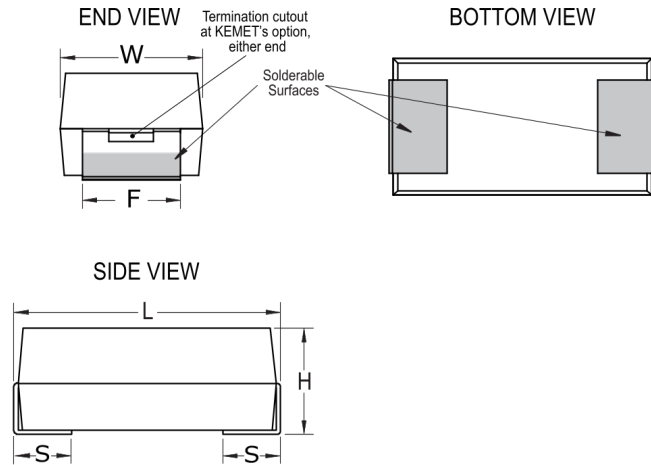


T493B106K020BB6310

Aliases (DLA Drawing 07016-092KBBB)

T493 HRA, Tantalum, MnO₂ Tantalum, HRA, 10 uF, 10%, 20 VDC, SMD, MnO₂, Molded, DLA Drawing, B (0.1%/1000 Hrs), 3 Ohms, 3528, Height Max = 2.1mm



Click [here](#) for the 3D model.

| Dimensions | |
|------------|----------------|
| Footprint | 3528 |
| L | 3.5mm +/-0.2mm |
| W | 2.8mm +/-0.2mm |
| H | 1.9mm +/-0.2mm |
| S | 0.8mm +/-0.3mm |
| F | 2.2mm +/-0.1mm |

| Packaging Specifications | |
|--------------------------|------------|
| Packaging | T&R, 178mm |
| Packaging Quantity | 2000 |

| General Information | |
|---------------------|---|
| Series | T493 HRA |
| Dielectric | MnO ₂ Tantalum |
| Style | SMD Chip |
| Description | SMD, MnO ₂ , Molded, DLA Drawing |
| RoHS | Yes |
| Termination | Gold |
| AEC-Q200 | No |
| Component Weight | 102.3 mg |

| Specifications | |
|-------------------------|--|
| Capacitance | 10 uF |
| Capacitance Tolerance | 10% |
| Voltage DC | 20 VDC (85C), 13.4 VDC (125C) |
| Temperature Range | -55/+125°C |
| Rated Temperature | 85°C |
| Dissipation Factor | 6% 120Hz 25C |
| Failure Rate | B (0.1%/1000 Hrs) |
| Resistance | 3 Ohms (100kHz 25C) |
| Ripple Current | 292 mA (rms, 100kHz 25C) |
| Leakage Current | 2 uA (5min 25°C) |
| Testing and Reliability | 10 Cycles Surge Current Testing At -55C And +85C After Weibull |

Statements of suitability for certain applications are based on our knowledge of typical operating conditions for such applications, but are not intended to constitute - and we specifically disclaim - any warranty concerning suitability for a specific customer application or use. This Information is intended for use only by customers who have the requisite experience and capability to determine the correct products for their application. Any technical advice inferred from this Information or otherwise provided by us with reference to the use of our products is given gratis, and we assume no obligation or liability for the advice given or results obtained.