



East Electronics



Product Specification

48273 Lakeview Blvd
Fremont, CA 94538, U.S.A
Tel: 510-413-0002
Fax: 510-413-0010

<http://www.east-elec.com>

Product Name:	Speaker
Part Number:	SCM-2514L6.0-4N2R (8Ω1W)
Version:	Rev. 1
Date:	2020-5-11
Note:	

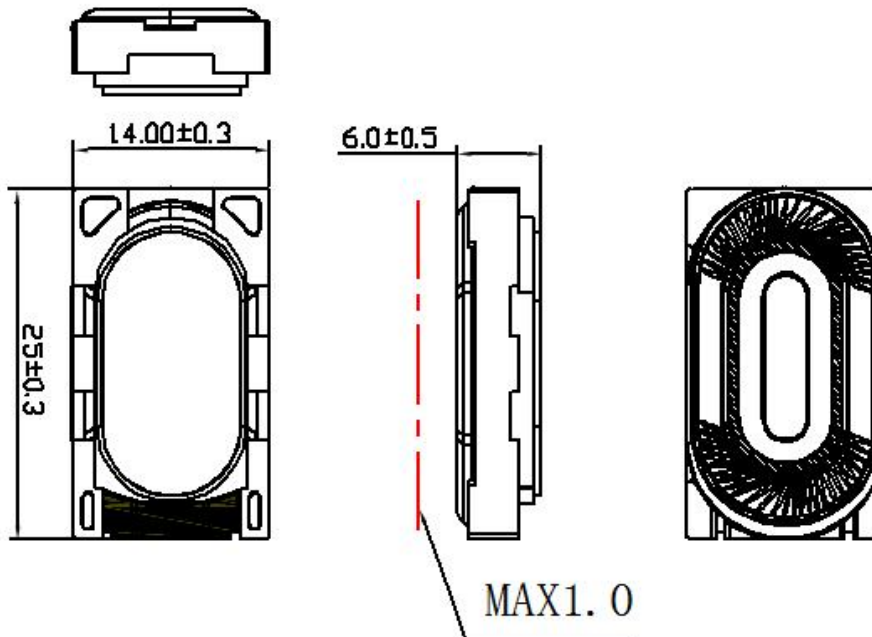
Company passed ISO 9001 / ISO TS16949 / ISO 14001 Certifications

Revision History

Rev.	Description	Author/Date	Checked By	Approver
1	Released	Lv Wenbin May 11, 2020	Gao Rong	Wang Jiancheng

1. Part Number : SCM-2514L6.0-4N2R

2. Dimension Drawing: (Unit: mm)



3. Specification:

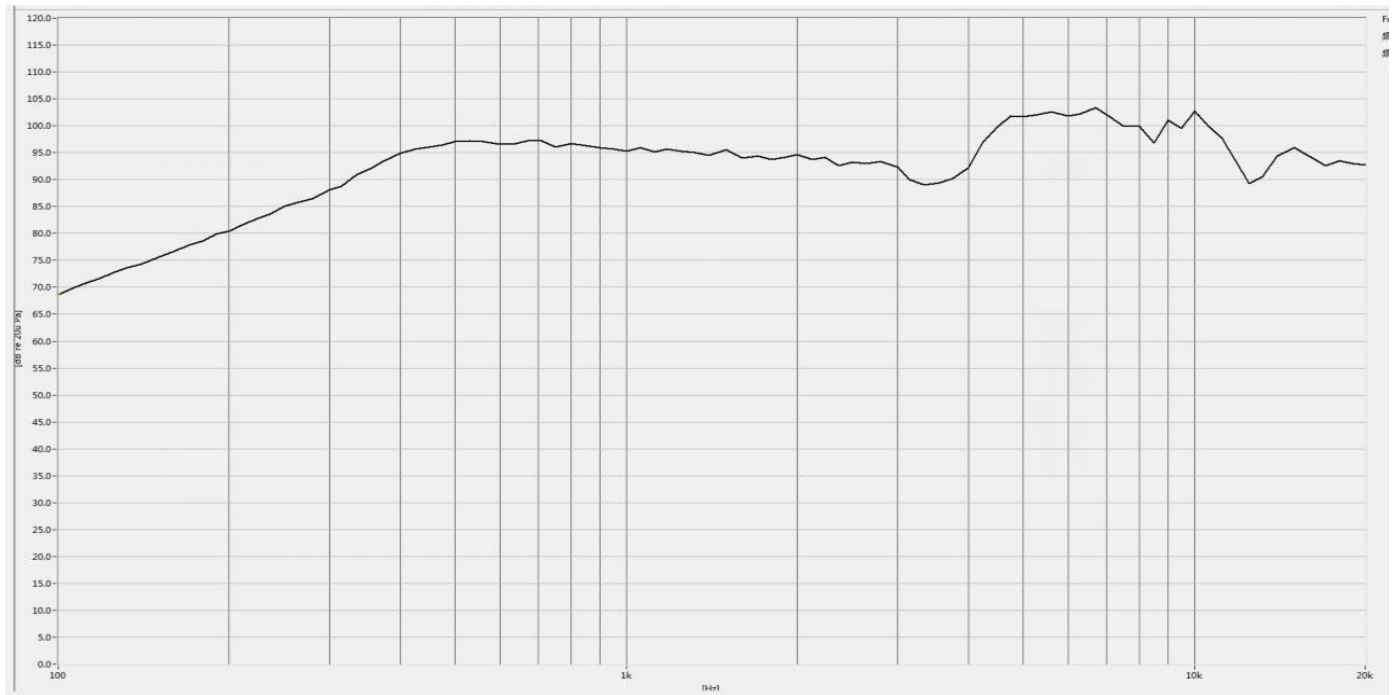
No.	Items	Specification
3-1	Rated impedance	$4\Omega \pm 15\%$
3-2	Resonant frequency (f0)	$650\text{Hz} \pm 20\%$ 1.0 V
3-3	SPL normal power input	$94\text{ dB} \pm 3$ 2W/0.1 M at 800,1000,1200 and 1500 Hz average
3-4	Frequency range	$f_0 \sim 20\text{ kHz}$ SPL-10dB V
3-5	Distortion	$< 5\%$ at 1Khz-20Khz in free air input at 1.0 W
3-6	Normal power	2.0 W
3-7	Maximum power	2.5 W
3-8	Appearance normal	@ A.T. $15 \sim 35^\circ\text{C}$, H.M. $25 \sim 75\%$, B.P. $86 \sim 106\text{kPa}$
3-9	Buzzes & rattles no appearance	with sine wave from F0 to 5 kHz 2.83 V
3-10	Diaphragm material	PEEK+PEN
3-11	Weight	6.5 g

NOTES :

1. Test in anechoic room and use the IEC standard baffle which size at : 1350 mm (W) X 1650 mm (H)
2. Test should be made under the conditions of room temperature ($20 \pm 10^\circ\text{C}$), relative humidity ($60 \pm 20\%$) and normal atmospheric pressure. In this case, however, that the judgment is questionable, the test conditions are to be changed to room

temperature 20 ± 2 °C, relative humidity 60~70% and normal atmospheric pressure.

4. Typical Frequency Response Curve:



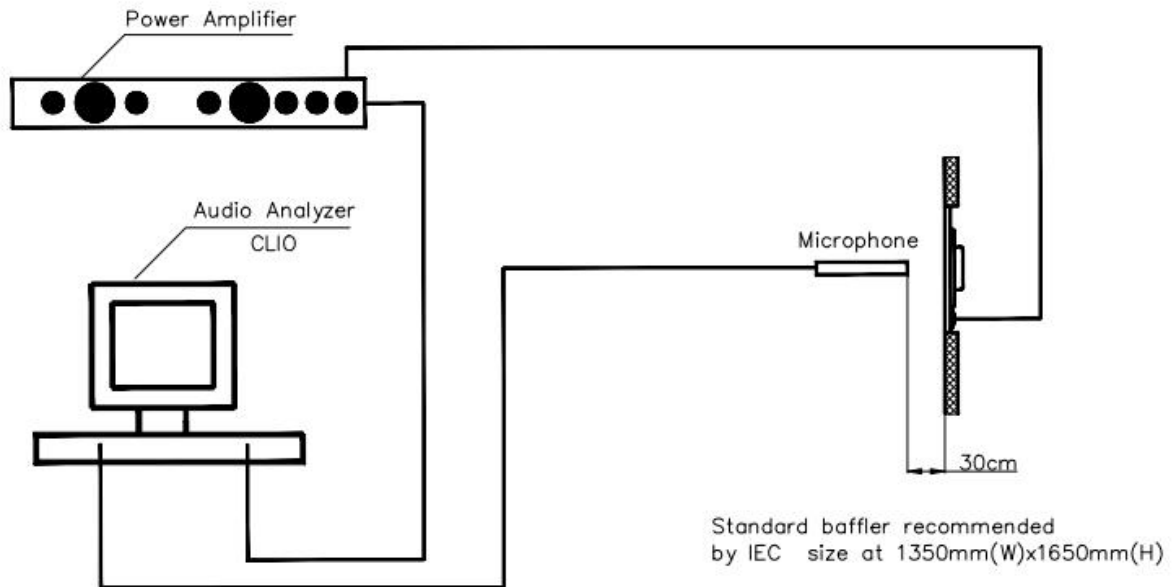
5. Reliability Test:

No.	Item	Method of Test	Tolerance after Testing
5-1	Operating temperature	-40 °C ~ $+85$ °C	
5-2	High-temperature loading & storage	@ $\frac{1}{4}$ rated noise power / 85 ± 2 °C operating for 16 hours then depositing for 2 hours at constant temperature, completing testing within 1 hour after withdrawing.	Meet requirements of appearance, Buzzes & rattles after test
5-3	Low-temperature loading & storage	@ $\frac{1}{4}$ rated noise power / -10 ± 3 °C operating for 1 hours, depositing @ -40 ± 3 °C for 2 hours, then resuming at normal atmosphere conditions (GB/T9396-1996 4.2) for 4 hours.	Meet requirements of appearance, Buzzes & rattles, solderability after test
5-4	Static humidity /temperature	@ A.T. 85 ± 2 °C, H.M. 93 ± 2 % depositing for 48 hours, then resuming @ normal atmosphere conditions (GB/T9396-1996 4.2) for 24 hours.	Meet requirements of appearance, Buzzes & rattles, insulation resistance, bearing voltage after test
5-5	Temperature (high and low) cycle test	Storage in -40 °C ± 5 °C for 2 hours, in 20 °C ± 5 °C for 2 hours, in 85 °C ± 5 °C for 2 hours then back in 20 °C ± 5 °C 2 hours, as one cycle. 12 cycle in total.	Appearance: no obviously damage Tone: no obviously noise

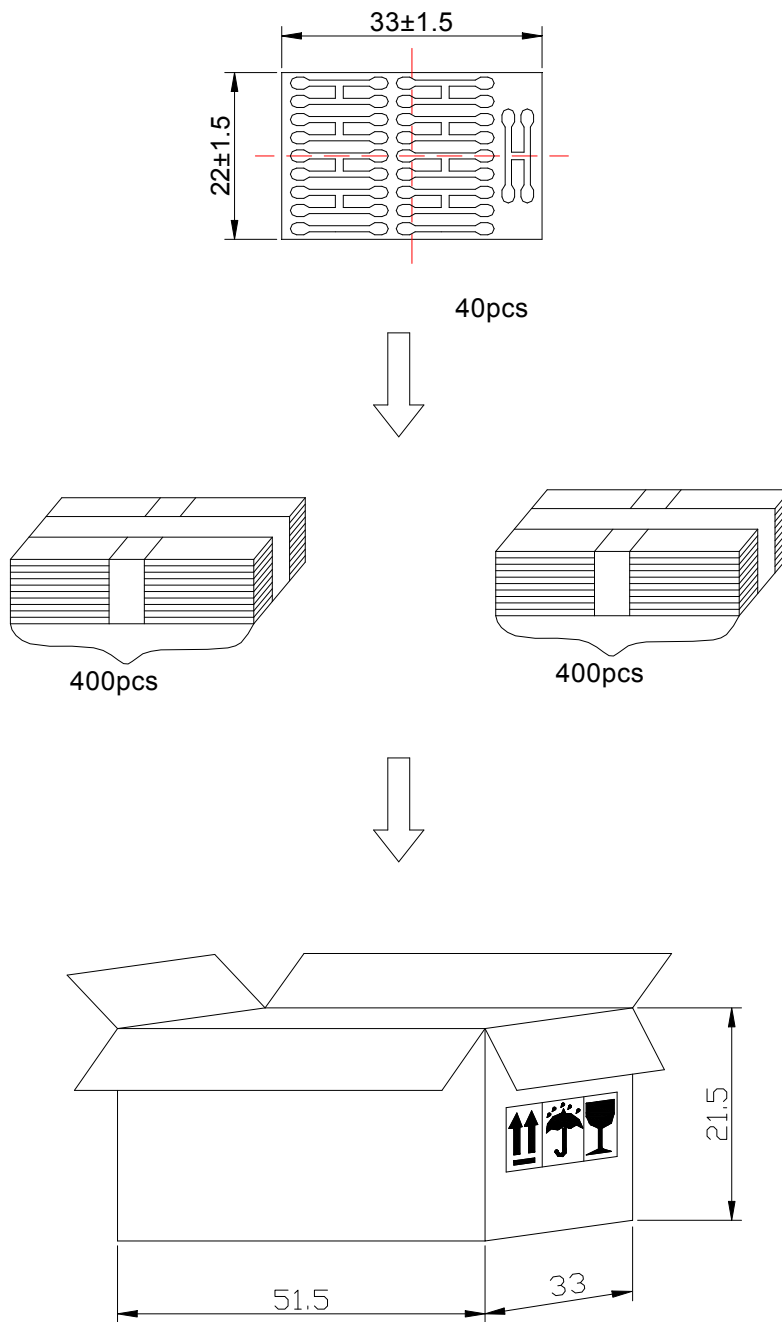
5-6	Drop test	Drop a product naturally from the height of 1000 mm onto the surface of 100 mm thick wooden board. Two directions: upper and side of the product are to be applied for this drop test once respectively.	SPL ± 3 dB F0 $\pm 20\%$
5-7	Life test in the room temperature	Input the signal with the valid frequency range on the speaker in continuously for 100 hours, the room temperature should control in 15 °C to 35 °C.	ACR $\pm 15\%$
5-8	Vibration test	Conduct the test for the directions of X Y and Z for 0.5 hour each (total 1.5 hours). To-and Fri sweep time(from 10 to 55 Hz and then 55 to 10) under single amplitude of 0.75 mm is 3 minute, then expose to the room temperature for 2 hours.	

NOTE: The frame is allowed to deform after drop test.

6. Electrical Testing Method:



7. Packing Information:



Packing information:
40pcs of speaker in each tray
20trays in one carton
Total:800pcs / 1 carton
Gross Weight:KGS
Net Weight: KGS