

RP650

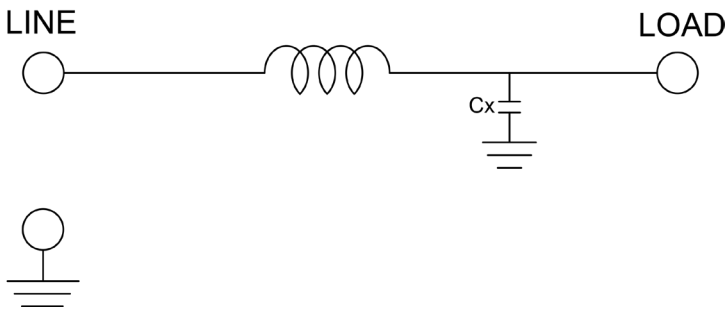
HIGH PERFORMANCE SINGLE LINE SINGLE STAGE DC POWER LINE FILTER

FEATURES

- » Rated currents include **3A, 6A, 10A, 12A, and 20A**
- » Single Stage Line Filter
- » Available with **QD** (tabs), **W** (wires), and **S** (studs) option
- » High Performance Design
- » Agency Approved to UL1283 / 60929, CSA C22.2, EN 60939
- » Y-cap value can be adjusted to fit specification



ELECTRICAL SCHEMATIC



SPECIFICATIONS

MAX. OPERATING VOLTAGE	250V +10%
AMBIENT TEMPERATURE	-25 TO 55°C
CLIMATIC CATEGORY	25/100/21
TERMINALS (-T)	QD TABS: 0.25" WIRE LEADS STUDS 3-20A (M4)
TYP. WEIGHT, LBS (KG)	0.7 (0.3)

HIPOT RATINGS

LINE TO GROUND	1800 VDC
-----------------------	----------

TYPICAL APPLICATIONS

- ✓ Grounded return systems
- ✓ Mobile system
- ✓ MIL ground vehicles

HOW TO ORDER

RP650-X-Y-Z



NOTE: USE ANY COMBINATION OF -X (AMPS) WITH ANY -Y RATINGS
E.G. **RP650-20-1000-S** (20AMPS WITH 1000 NF YCAP)

For **X**, **Y**, and **Z** options see product specification table.

RP650

HIGH PERFORMANCE SINGLE LINE SINGLE STAGE **DC** POWER LINE FILTER

MODEL NO.	RATED CURRENT, A @ 40° C	Y-CAP, nF	TERMINAL OPTIONS			MAX. DIMENSIONS" (MM)		
			(QD) INPUT/OUTPUT	(W) INPUT/OUTPUT	(S) INPUT/OUTPUT	WIDTH	(LENGTH)	HEIGHT
RP650-3-10-QD	3	10	✓			2.01"(51)	3.35"(85)	1.61"(41)
RP650-3-10-S	3	10			✓	*	*	*
RP650-3-10-W	3	10		✓		*	*	*
RP650-3-100-QD	3	100	✓			2.01"(51)	3.35"(85)	1.61"(41)
RP650-3-100-S	3	100			✓	*	*	*
RP650-3-100-W	3	100		✓		*	*	*
RP650-3-1000-QD	3	1000	✓			2.01"(51)	3.35"(85)	1.61"(41)
RP650-3-1000-S	3	1000			✓	*	*	*
RP650-3-1000-W	3	1000		✓		*	*	*
RP650-6-10-QD	6	10	✓			2.01"(51)	3.35"(85)	1.61"(41)
RP650-6-10-S	6	10			✓	*	*	*
RP650-6-10-W	6	10		✓		*	*	*
RP650-6-100-QD	6	100	✓			2.01"(51)	3.35"(85)	1.61"(41)
RP650-6-100-S	6	100			✓	*	*	*
RP650-6-100-W	6	100		✓		*	*	*
RP650-6-1000-QD	6	1000	✓			2.01"(51)	3.35"(85)	1.61"(41)
RP650-6-1000-S	6	1000			✓	*	*	*
RP650-6-1000-W	6	1000		✓		*	*	*
RP650-10-10-QD	10	10	✓			2.01"(51)	3.35"(85)	1.61"(41)
RP650-10-10-S	10	10			✓	*	*	*
RP650-10-10-W	10	10		✓		*	*	*
RP650-10-100-QD	10	100	✓			2.01"(51)	3.35"(85)	1.61"(41)
RP650-10-100-S	10	100			✓	*	*	*
RP650-10-100-W	10	100		✓		*	*	*
RP650-10-1000-QD	10	1000	✓			2.01"(51)	3.35"(85)	1.61"(41)
RP650-10-1000-S	10	1000			✓	*	*	*
RP650-10-1000-W	10	1000		✓		*	*	*
RP650-20-10-QD	20	10	✓			2.01"(51)	3.35"(85)	1.61"(41)
RP650-20-10-S	20	10			✓	*	*	*
RP650-20-10-W	20	10		✓		*	*	*
RP650-20-100-QD	20	100	✓			2.01"(51)	3.35"(85)	1.61"(41)
RP650-20-100-S	20	100			✓	*	*	*
RP650-20-100-W	20	100		✓		*	*	*
RP650-20-1000-QD	20	1000	✓			2.01"(51)	3.35"(85)	1.61"(41)

ADDITIONAL MODEL NO. >>

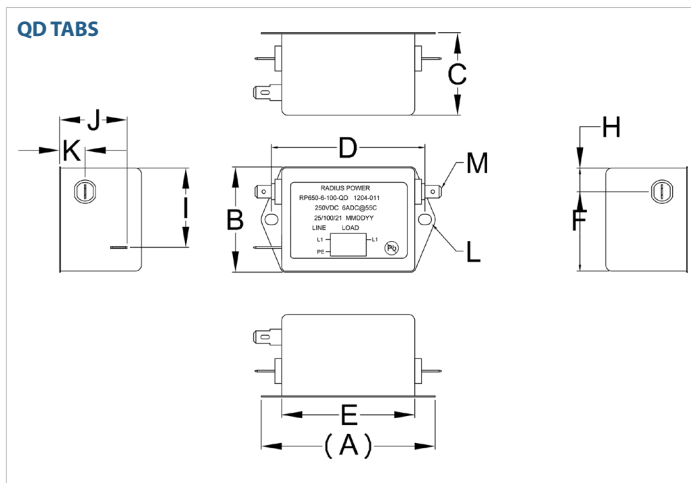
RP650

HIGH PERFORMANCE SINGLE LINE SINGLE STAGE **DC** POWER LINE FILTER

MODEL NO.	RATED CURRENT, A @ 40° C	Y-CAP, nF	TERMINAL OPTIONS			MAX. DIMENSIONS" (MM)		
			(QD) INPUT/OUTPUT	(W) INPUT/OUTPUT	(S) INPUT/OUTPUT	WIDTH	(LENGTH)	HEIGHT
RP650-20-1000-S	20	1000			✓	*	*	*
RP650-20-1000-W	20	1000		✓		*	*	*

*Contact factory for dimensions.

RP650 MECHANICAL OUTLINES (MM)



SERIES	(A)	B	C	D	E	F	G	H	I	J	K	L	M	N
QD TABS	3.35" (85)	2.01" (51)	1.61" (41)	2.95" (75)	2.56" (65)	2.01" (51)	N/A	0.45" (12)	1.53" (39)	1.30" (33)	0.49" (13)	Ø0.25"x0.20", 2x (Ø,6.4x5.1, 2x)	0.25", 3x QD, MALE, 6.35, 3x	STUD, GND, M5

TYPICAL TOLERANCE: +/-0.02" (0.50MM)

RP650

HIGH PERFORMANCE SINGLE LINE SINGLE STAGE **DC** POWER LINE FILTER

TYPICAL INSERTION LOSS, dB (50/50 Ohm)

Amps	Freq (MHz)	0.15	0.5	1.0	10	30
3	CM (dB)	20	40	60	60	40
	DM (dB)					
6	CM (dB)	15	35	55	55	38
	DM (dB)					
10	CM (dB)	10	30	50	50	35
	DM (dB)					
20	CM (dB)	8	25	35	35	25
	DM (dB)					