

40 Amp Power Relay PC740



FEATURES

- 1/4 Inch Male Quick Connect Terminals
- Up To 40 Amp Switching Capacity
- Up to 2 Horsepower Rating
- Four Mounting Styles
- Compatible with SC740 Din Rail Socket
- AC Coils Up To 240 V or DC Coils Up To 110 V
- Class "B" Insulation Standard
- Class "F" Insulation Available—Not UL Approved
- RoHS Compliant

UL / CUL Ratings



Load Type	Voltage	2 Form C All Contacts	3 Form C All Contacts
General Purpose	120 VAC	40 A	40 A
	250 VAC	40 A*	40 A*
	28 VDC	40 A	40 A
Resistive	120 VAC	40 A*	40 A*
	250 VAC	30 A*	30 A*
	28 VDC	40 A	40 A
Motor	250 VAC	2 HP*	2 HP*
	120 VAC	1 1/2 HP*	1 1/2 HP*
LRA/FLA	250 VAC	72 A / 12 A*	72 A / 12 A*
	120 VAC	120 A / 29 A*	120 A / 29 A*

* UL RATINGS AT 6,000 Cycles @ 50°C

CONTACT DATA

Material	AgCdO (Silver Cadmium Oxide)	
Initial Contact Resistance	100 mΩ max. @ 6 V, 1A	
Max. Switching Voltage	28 VDC, 250 VAC	
Max. Switching Power	1,120 W, 10 KVA	
Max. Breaking Capacity	10,000 VA	
Service Life	Mechanical	1 X 10 ⁷ Operations
	Electrical	1 X 10 ⁵ Operations

CHARACTERISTICS

Operate Time	25 ms Max
Release Time	15 ms Max
Insulation Resistance	500 MΩ min. at 500 VDC
Shock Resistance	10 g, 11ms, Functional 100 g, Destructive
Power Consumption	DC Coil 2.5 W, AC Coil 5.5 VA

CHARACTERISTICS CONT.

Dielectric Strength	2,500 Vrms, 1 min. Between Coil and Contacts
	1,500 Vrms, 1 min. Between Open Contacts
Vibration Resistance	10 Hz - 55 Hz DA 2.0 mm
Solderability	260°C for 5 seconds
Operating Temperature	-55°C to 70 °C (Class B)
	-55°C to 95°C (Class F)
Relative Humidity	75% (at 30°C)
Weight	130 grams

ORDERING INFORMATION

Example	PC740	-2C	-C	-120A	-P	F
Model:	PC740					
Contact Form:	2A, 2C, 3A, 3C					
Case Type:	C: Plain Case; C1: Side Flange; C3: Top Flange; C4: Plain case with Inserts					
Coil Voltage:	XXXA: AC Coil 12, 24, 48, 120, 220, 240 XXXD: DC Coil 12, 24, 48, 110					
Terminal Type:	NIL: QC; P: PC Pins					
RoHS Compliant:	Nil					
Insulation:	Nil: Class B, F: Class F (Not UL Approved)					

Compatible with SC740 Din Rail Socket

Box Quantity: 100; Inner Box 10

COIL DATA

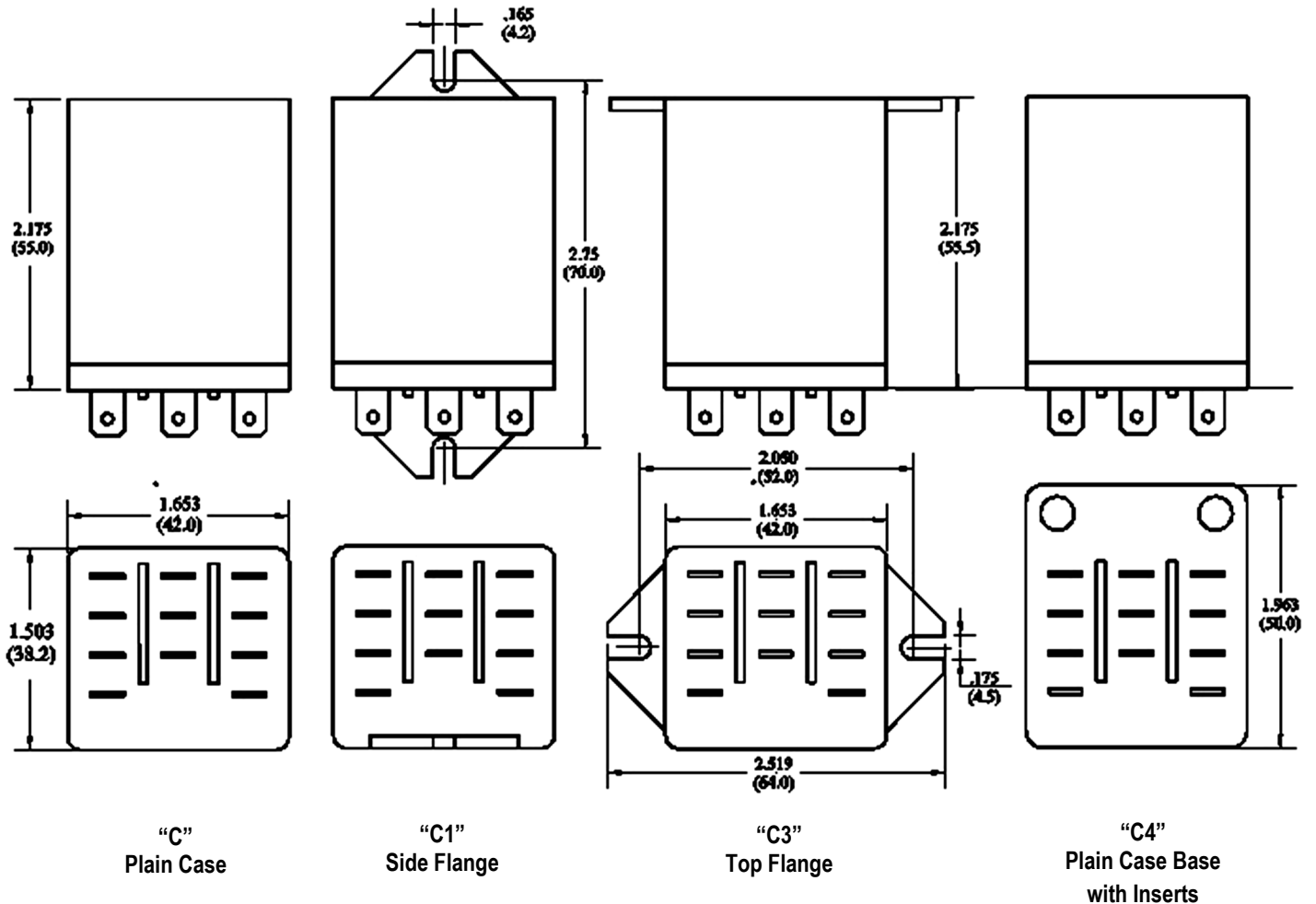
Voltage Type	Coil Voltage*		Resistance Ohms ± 10%	Must Operate Voltage Max. (VDC)	Must Release Voltage Min. (VDC)
	Rated	Max			
DC 2.5 W	12	13.2	58	9.6	1
	24	26.4	230	19	2
	48	52.8	921	38	5
	110	121	4840	176	11
AC 5.5 VA	12	13.2	8.4	19	4
	24	26.4	34	38	7
	48	52.8	134	88	14
	120	132	706	176	33
	220	242	2,820	192	66
	240	264	3,216	384	72

*Other Coil Voltages are available upon request.

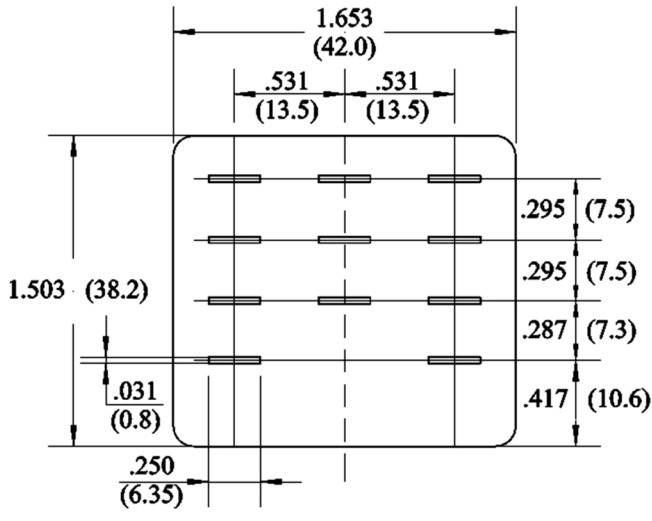
NOTES:

The use of any coil voltage less than the rated voltage will compromise the operation of the relays. Must Operate Voltage is listed for test purposes only and is not to be used as design criteria. Pickup and release voltages are for test purposes only and are not to be used as design criteria. Dimensions are in mm, Inches are listed for reference only.

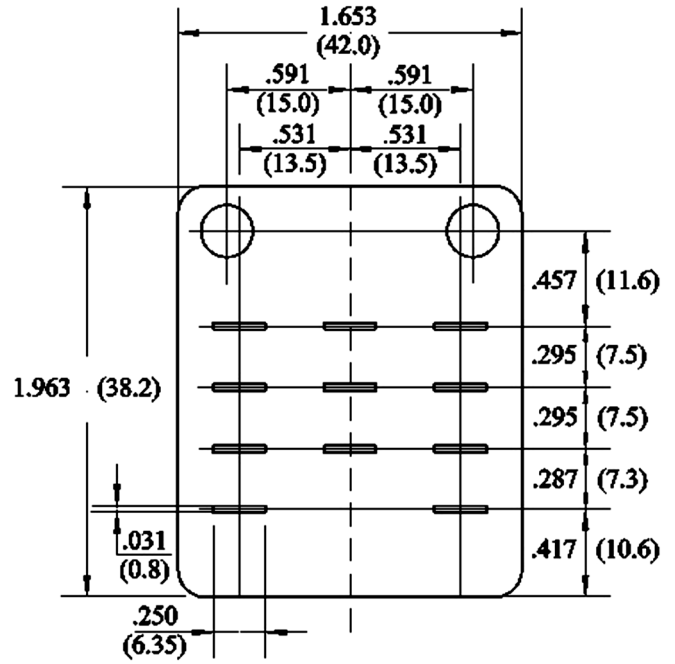
CASE TYPE (inches/mm)



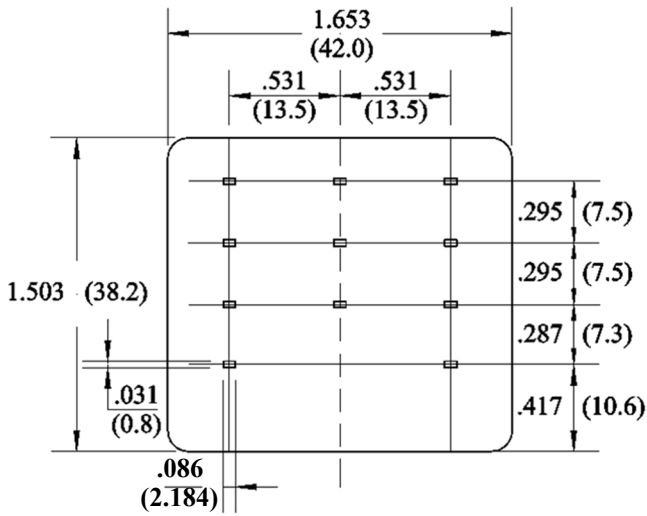
MOUNTING TYPES (inches/mm)



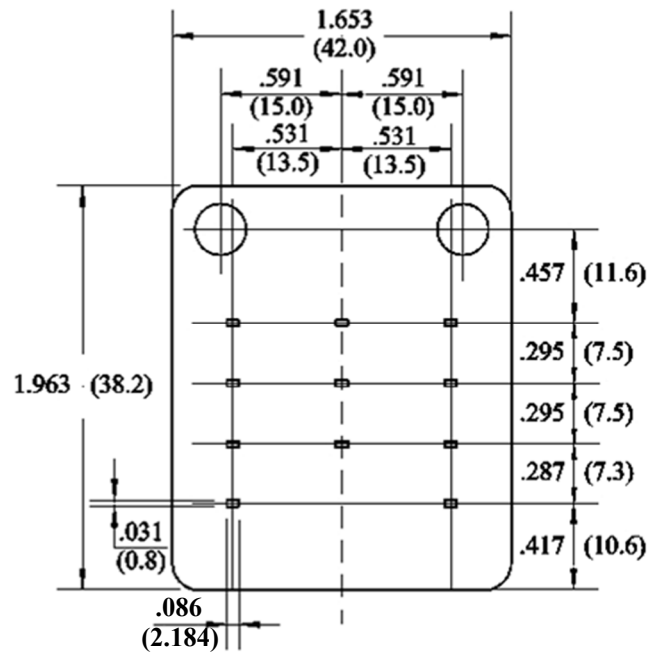
"Nil"
Quick Connect Pins (QC)



"Nil"
Quick Connect Pins (QC) with "C4"

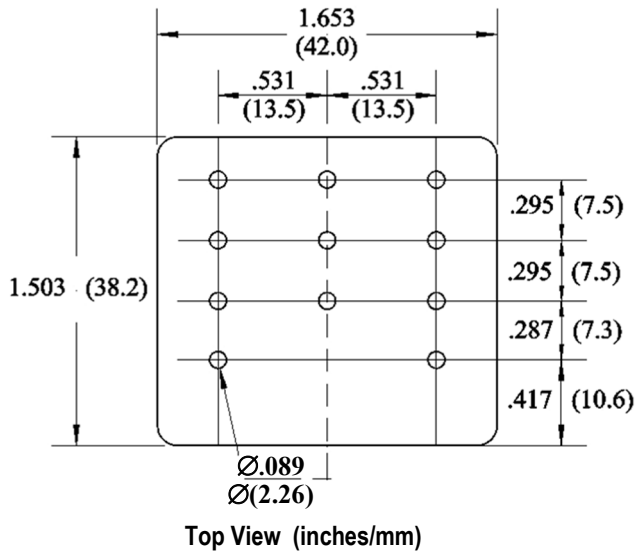


"P"

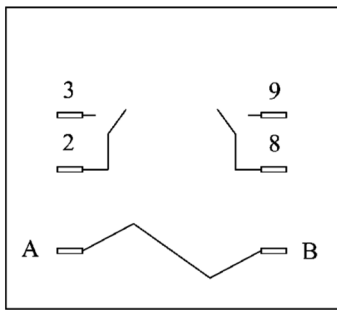


"P"

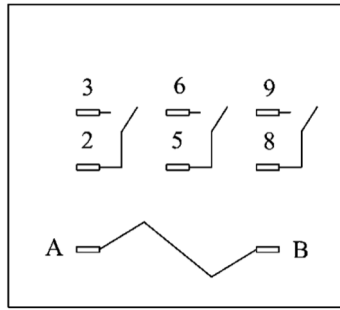
PRINTED CIRCUIT BOARD LAYOUT



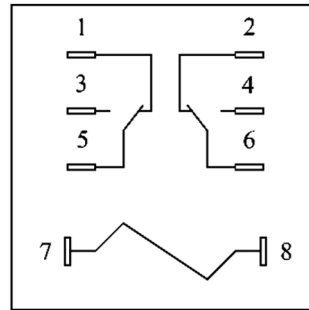
CONTACT FORMS



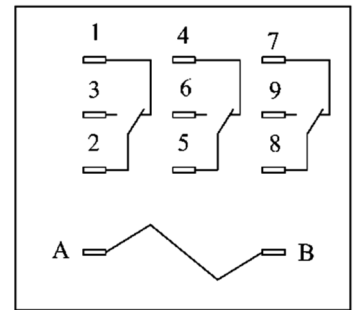
"2A"



"3A"



"2C"



"3C"

REFERENCE CURVES

