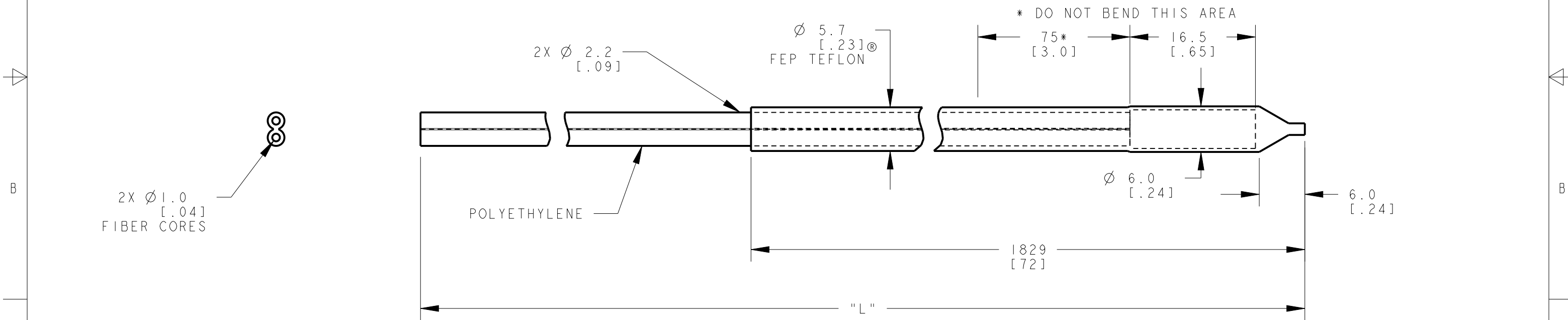


MODEL NO.	"L"	"TL"	P/N
PBE43UTMLLPMT12	1000 [39]	305 [12]	93216
PBE44UTMLLPMT42	1219 [48]	1067 [42]	91788
PBE41.2UTMLLPMT12	356 [14]	305 [12]	86609
PBE41UTMLLPMT8	305 [12]	200 [8]	86298
PBE420UTMLLPMT180	6096 [240]	4572 [180]	18370
PBE415UTMLLPMT72	5000 [197]	1829 [72]	70371
PBE46UTMLLPMT12	2000 [79]	305 [12]	800750
PBE412UTMLLPMT12	3758 [144]	305 [12]	74860
PBE430UTMLLPMT12	9144 [360]	305 [12]	92999
PBE430UTMLLP	9296 [366]	9144 [360]	51805
PBE415UTMLLP	5000 [197]	4572 [180]	56076
PBE46UTMLLP	2000 [79]	1829 [72]	48056

NOTE:

1. PLASTIC (TEFLON, NYLON, ETC.) SET SCREW TO BE USED FOR MOUNTING TO ENSURE SEALING INTEGRITY.

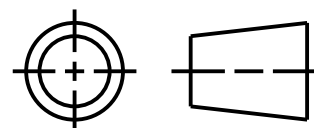


NOTES:
 1. ALL DIMENSIONS ARE MILLIMETERS [INCHES] UNLESS OTHERWISE NOTED.
 2. REFER TO "www.bannerengineering.com" FOR ADDITIONAL DATA AND SPECIFICATIONS.

This drawing is the property of BANNER ENGINEERING CORP. Any use or reproduction, in any form, without prior written permission of Banner is prohibited. © 2015 Banner Engineering Corp.

BANNER BANNER ENGINEERING CORP.
 www.bannerengineering.com

THIRD ANGLE PROJECTION



TITLE
PBE4 SERIES UNTERMINATED TEFLON LIQUID LEVEL PROBE

SIZE B DRAWING NO. **161949** REV. **A**

SCALE 2:1 SHEET 1 OF 1

CREO