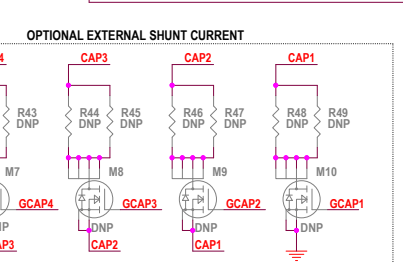
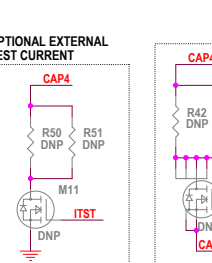
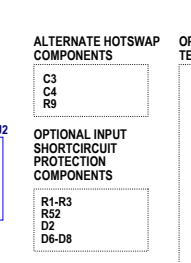
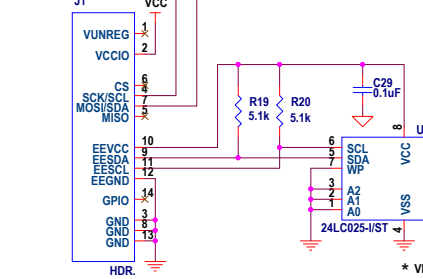
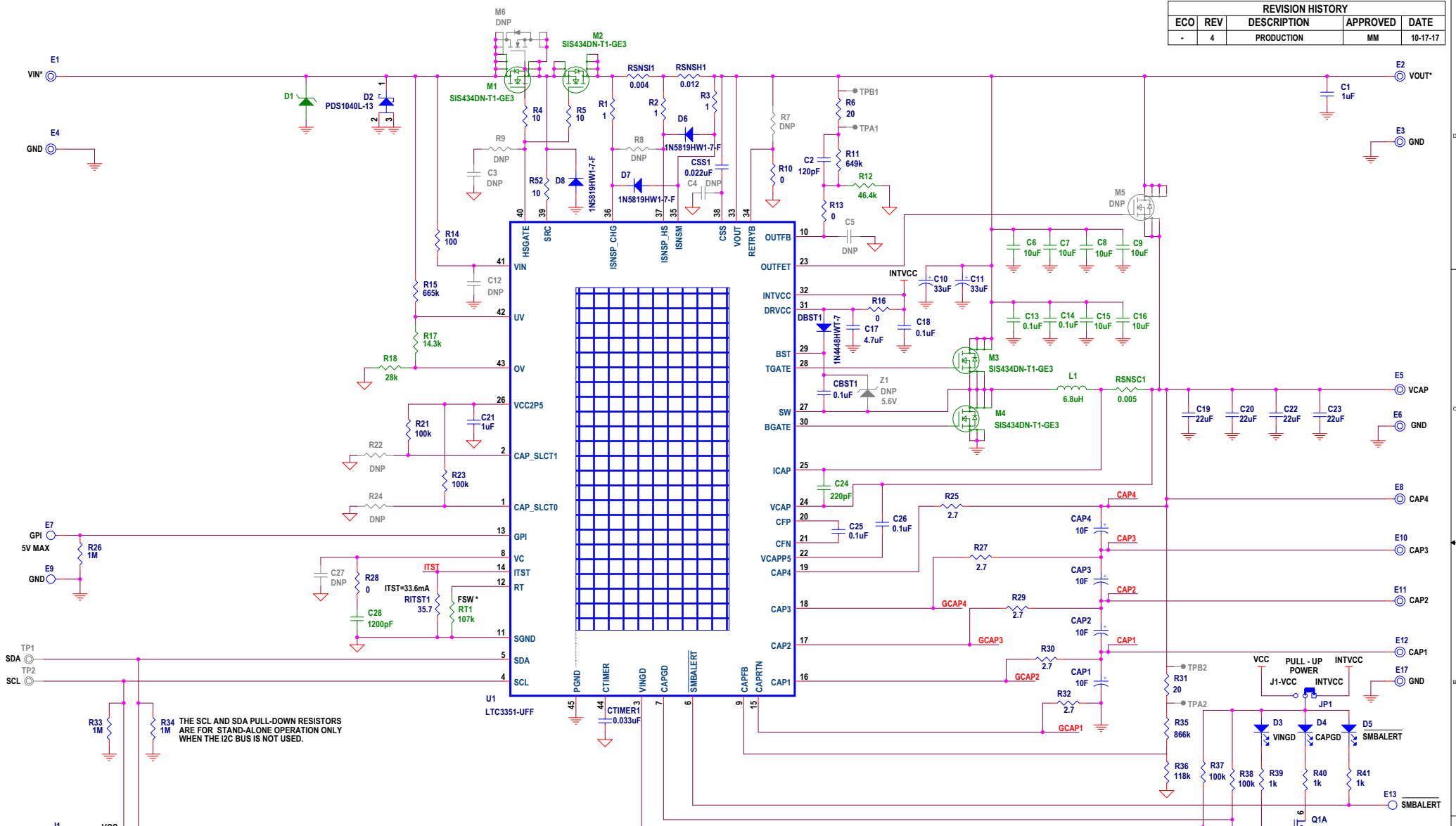


REVISION HISTORY				
ECO	REV	DESCRIPTION	APPROVED	DATE
-	4	PRODUCTION	MM	10-17-17



- PCA ADDITIONAL PARTS**
- MP1 STANDOFF, NYLON, SNAP-ON, 0.375"
 - MP2 STANDOFF, NYLON, SNAP-ON, 0.375"
 - MP3 STANDOFF, NYLON, SNAP-ON, 0.375"
 - MP4 STANDOFF, NYLON, SNAP-ON, 0.375"
 - LB1 LABEL
 - PCB1 PCB, DC2464A REV04
- STNCL1 TOOL, STENCIL, 700-DC2464A REV04

*** VERSION TABLE**

SKU #	VIN/VOUT	VOUT BACKUP	FSW	R1	R8	INPUT CURRENT LIMIT 2.67A CHARGER INPUT CURRENT LIMIT 4A CIRCUIT BREAKER
DC2464A - A	11V - 18V 12V NOMINAL	6V 25W	750kHz	NOT INSTALLED	INSTALLED	2.67A CHARGER INPUT CURRENT LIMIT 4A CIRCUIT BREAKER
DC2464A - B	20V - 30V 24V NOMINAL	18V 36W	500kHz	INSTALLED	NOT INSTALLED	2A CHARGER INPUT CURRENT LIMIT 4A CIRCUIT BREAKER

CUSTOMER NOTICE
 LINEAR TECHNOLOGY HAS MADE A BEST EFFORT TO DESIGN A CIRCUIT THAT MEETS CUSTOMER-SUPPLIED SPECIFICATIONS; HOWEVER, IT REMAINS THE CUSTOMER'S RESPONSIBILITY TO VERIFY PROPER AND RELIABLE OPERATION IN THE ACTUAL APPLICATION. COMPONENT SUBSTITUTION AND PRINTED CIRCUIT BOARD LAYOUT MAY SIGNIFICANTLY AFFECT CIRCUIT PERFORMANCE OR RELIABILITY. CONTACT LINEAR TECHNOLOGY APPLICATIONS ENGINEERING FOR ASSISTANCE.

APPROVALS	
PCB DES.	NC
APP ENG.	MM
IC NO.	
LTC3351	
SKU NO.	
DC2464A - B	

LINEAR TECHNOLOGY
 1630 McCarthy Blvd.
 Milpitas, CA 95035
 Phone: (408)432-1900 www.linear.com
 Fax: (408)434-0507
 LTC Confidential-For Customer Use Only

**TITLE: DEMO CIRCUIT SCHEMATIC,
 HOT SWAPPABLE SUPERCAPACITOR CHARGER
 BACKUP CONTROLLER AND SYSTEM MONITOR**

SCALE = NONE
 DATE: Thursday, October 19, 2017

PCB ASSY DWG: 705-DC2464A_REV04
 SCHEMATIC NO. AND REVISION: 710-DC2464A_REV 04

SHEET 1 OF 1