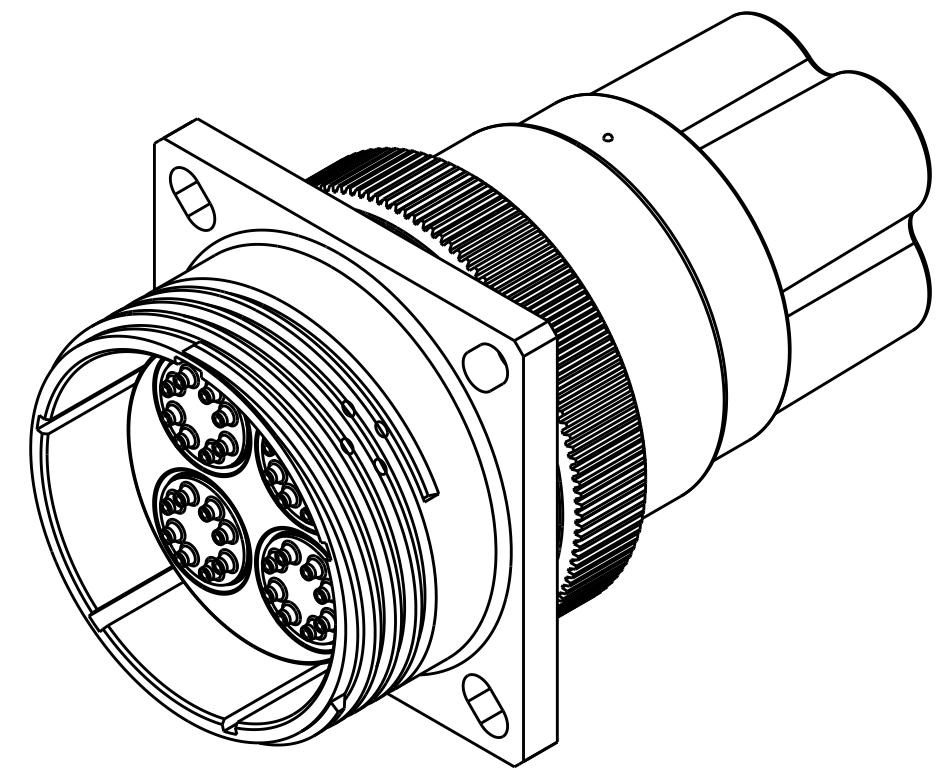
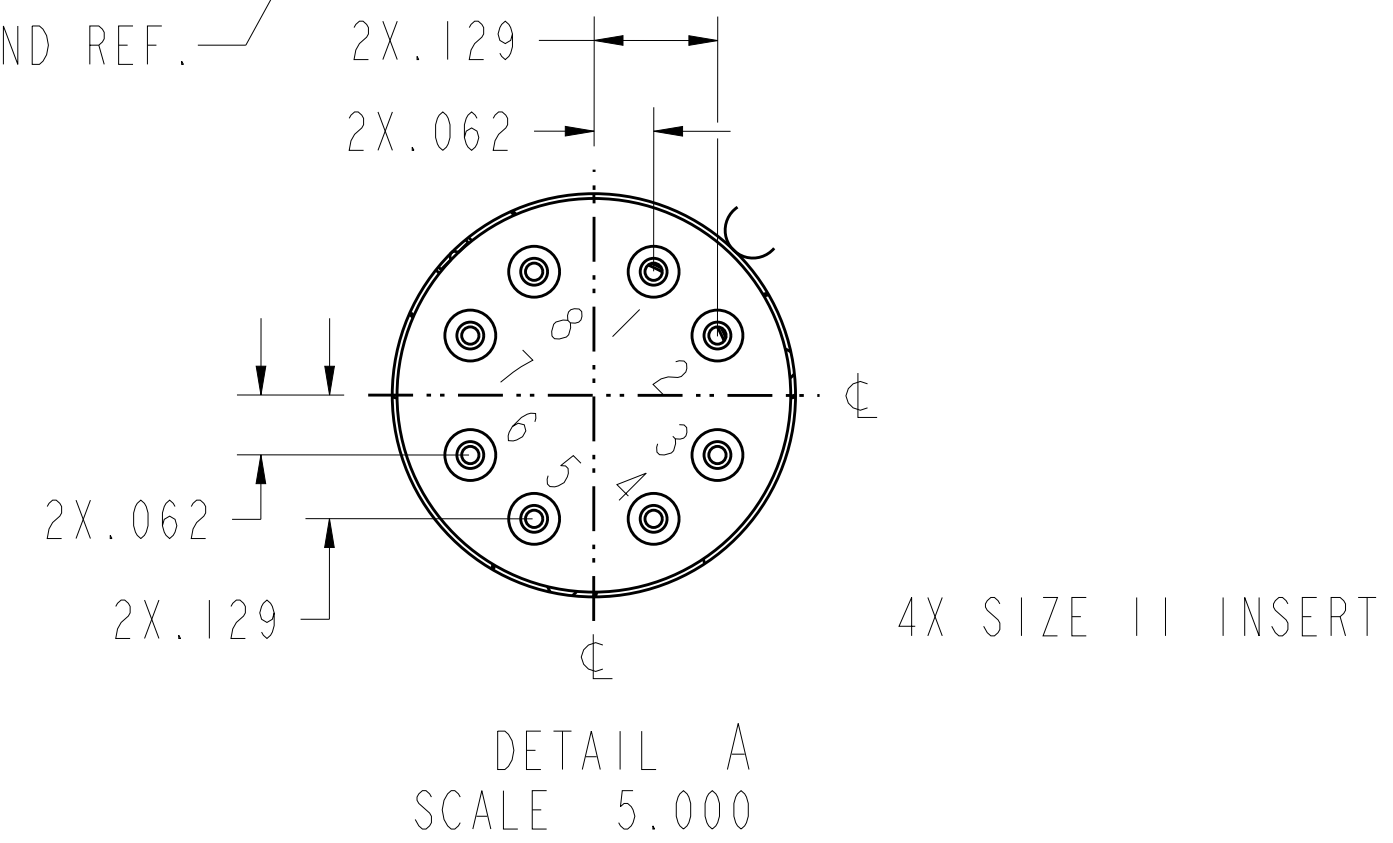
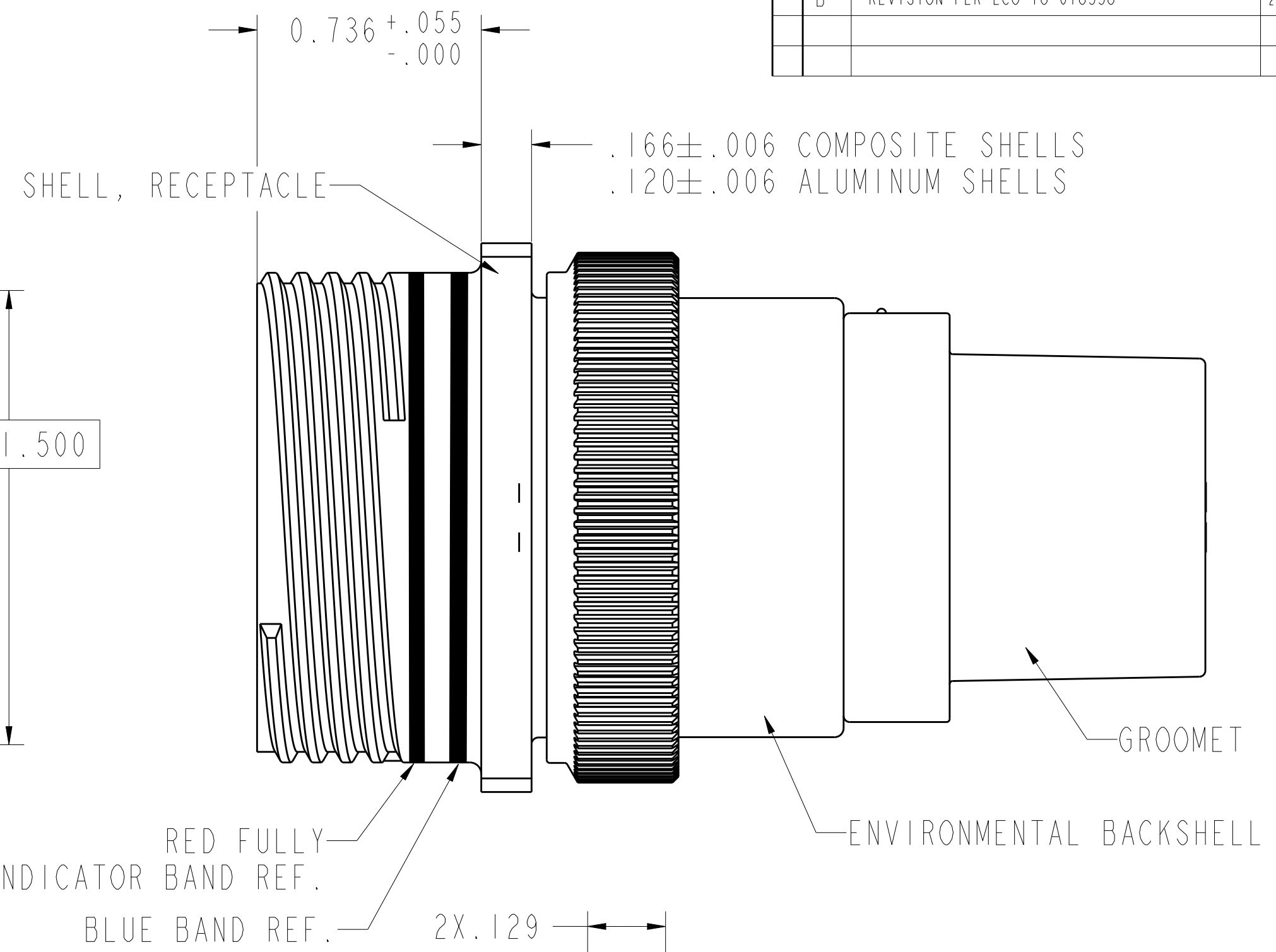
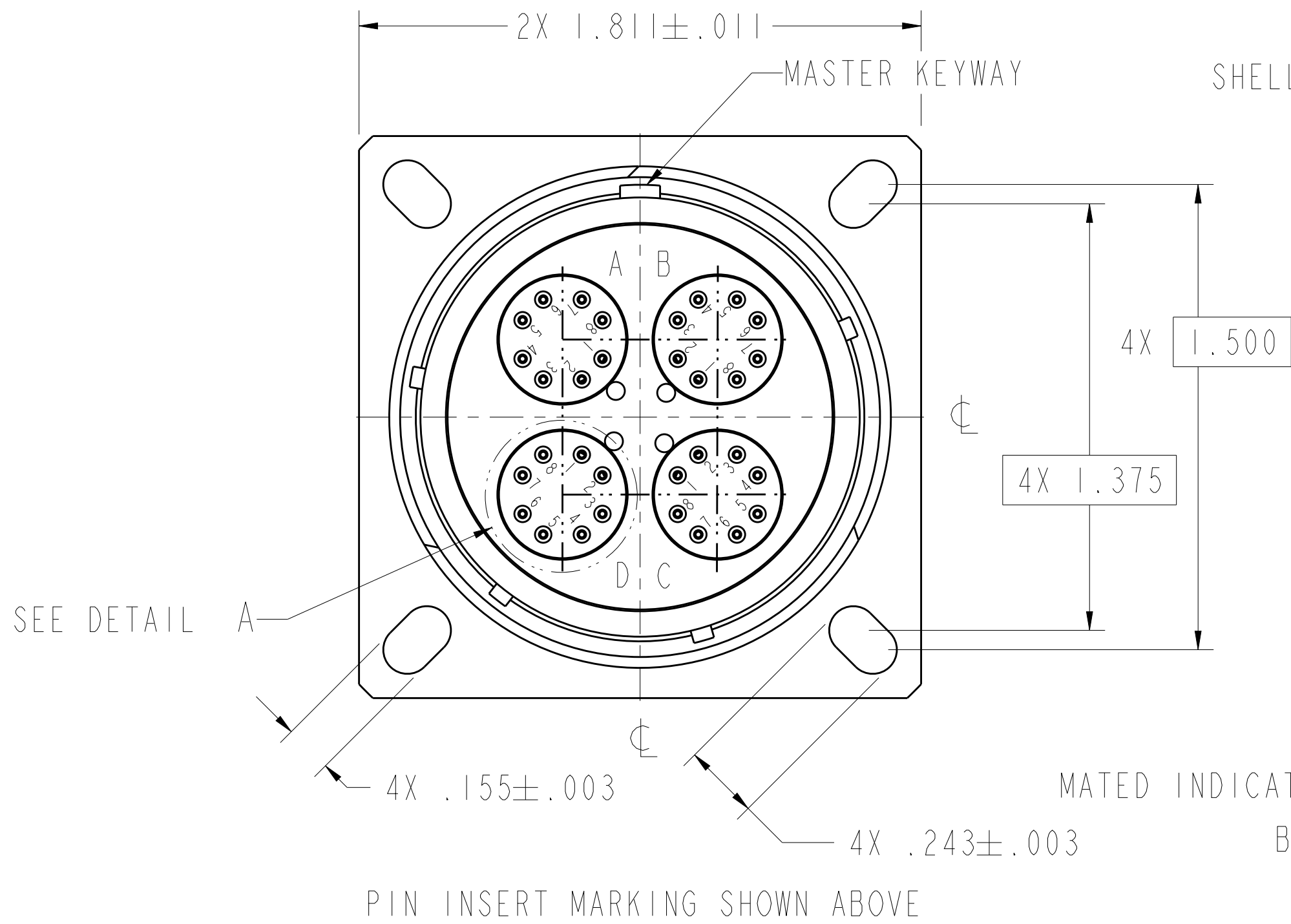


THIS DRAWING IS UNPUBLISHED. RELEASED FOR PUBLICATION 20
 © COPYRIGHT 20 BY - ALL RIGHTS RESERVED.

PROPERTY OF THE TE CONNECTIVITY
 THIS INFORMATION IS CONFIDENTIAL AND PROPERTY TO TYCO ELECTRONICS CORPORATION
 AND ITS WORLDWIDE SUBSIDIARIES AND AFFILIATES (TE). IT MAY NOT BE DISCLOSED TO
 ANYONE, OTHER THAN TE PERSONNEL, WITHOUT AUTHORIZATION FROM TE (www.TE.com).

LOC		DIST		REVISIONS			
P	LTR	DESCRIPTION	DATE	DWN	APVD		
A		NEW RELEASE PER ECO-16-000996	160122				
B		REVISION PER ECO-18-018558	20NOV2018	JPF	JPF		



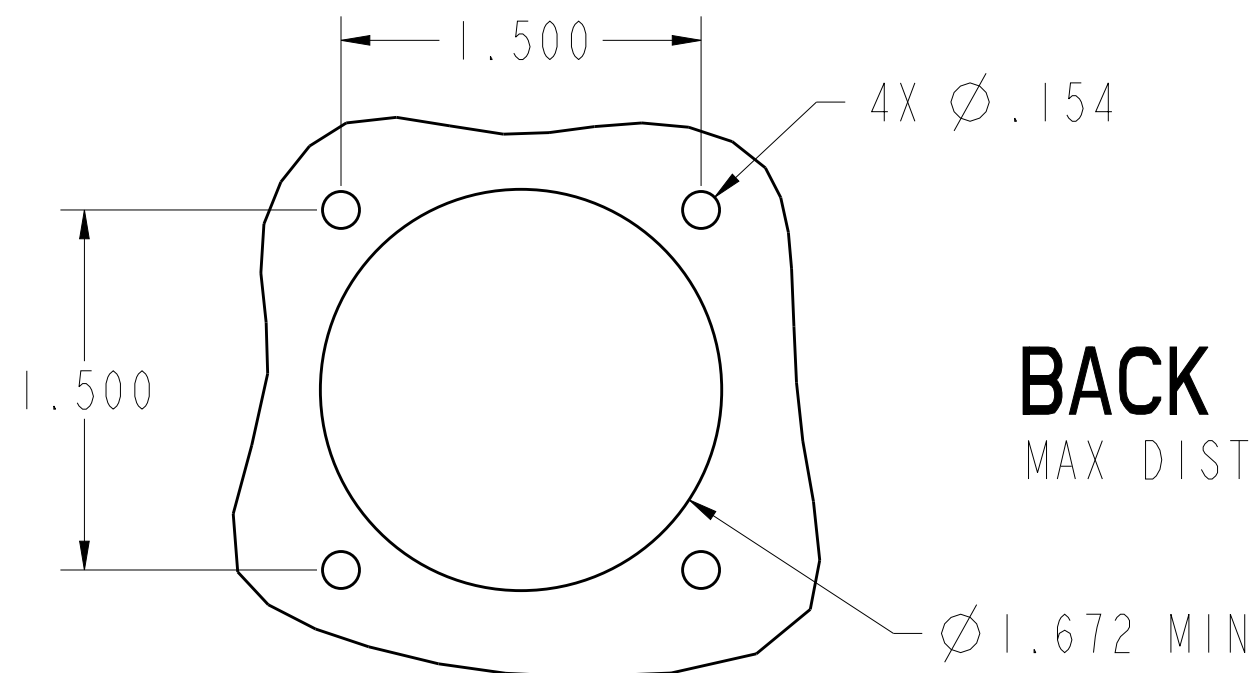
SEE SHEET 2 FOR APPLICABLE NOTES

THIS DRAWING IS A CONTROLLED DOCUMENT.		DWN	JPF	140218	 TE Connectivity																
DIMENSIONS:		CHK	JPF	160122																	
i n		APVD	AR	160122																	
<table border="1"> <tr> <th colspan="2">TOLERANCES UNLESS OTHERWISE SPECIFIED:</th> </tr> <tr> <td>0 PLC</td> <td>±</td> </tr> <tr> <td>1 PLC</td> <td>±0.1</td> </tr> <tr> <td>2 PLC</td> <td>±0.01</td> </tr> <tr> <td>3 PLC</td> <td>±0.001</td> </tr> <tr> <td>4 PLC</td> <td>±0.0001</td> </tr> <tr> <td>ANGLES</td> <td>±</td> </tr> <tr> <td>FINISH</td> <td></td> </tr> </table>		TOLERANCES UNLESS OTHERWISE SPECIFIED:		0 PLC		±	1 PLC	±0.1	2 PLC	±0.01	3 PLC	±0.001	4 PLC	±0.0001	ANGLES	±	FINISH		PRODUCT SPEC		NAME
TOLERANCES UNLESS OTHERWISE SPECIFIED:																					
0 PLC	±																				
1 PLC	±0.1																				
2 PLC	±0.01																				
3 PLC	±0.001																				
4 PLC	±0.0001																				
ANGLES	±																				
FINISH																					
MATERIAL	3 TBD	4		APPLICATION SPEC																	
		WEIGHT	-	SIZE	A2																
		CUSTOMER DRAWING		CAGE CODE	00779																
		SCALE	2.500	DRAWING NO	C-CFX20x2532xxx																
		SHEET	1	RESTRICTED TO	-																
		OF	6	REV	B																

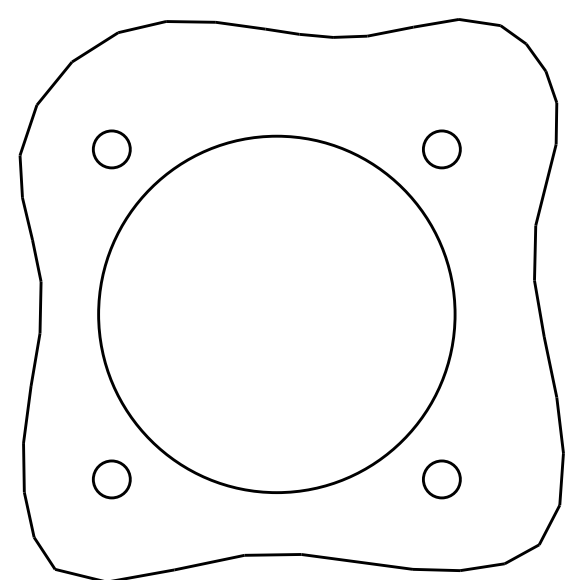
THIS DRAWING IS UNPUBLISHED. RELEASED FOR PUBLICATION 20
 © COPYRIGHT 20 BY - ALL RIGHTS RESERVED.

PROPERTY OF THE TE CONNECTIVITY
 THIS INFORMATION IS CONFIDENTIAL AND PROPERTY TO TYCO ELECTRONICS CORPORATION
 AND ITS WORLDWIDE SUBSIDIARIES AND AFFILIATES (TE). IT MAY NOT BE DISCLOSED TO
 ANYONE, OTHER THAN TE PERSONNEL, WITHOUT AUTHORIZATION FROM TE (www.TE.com).

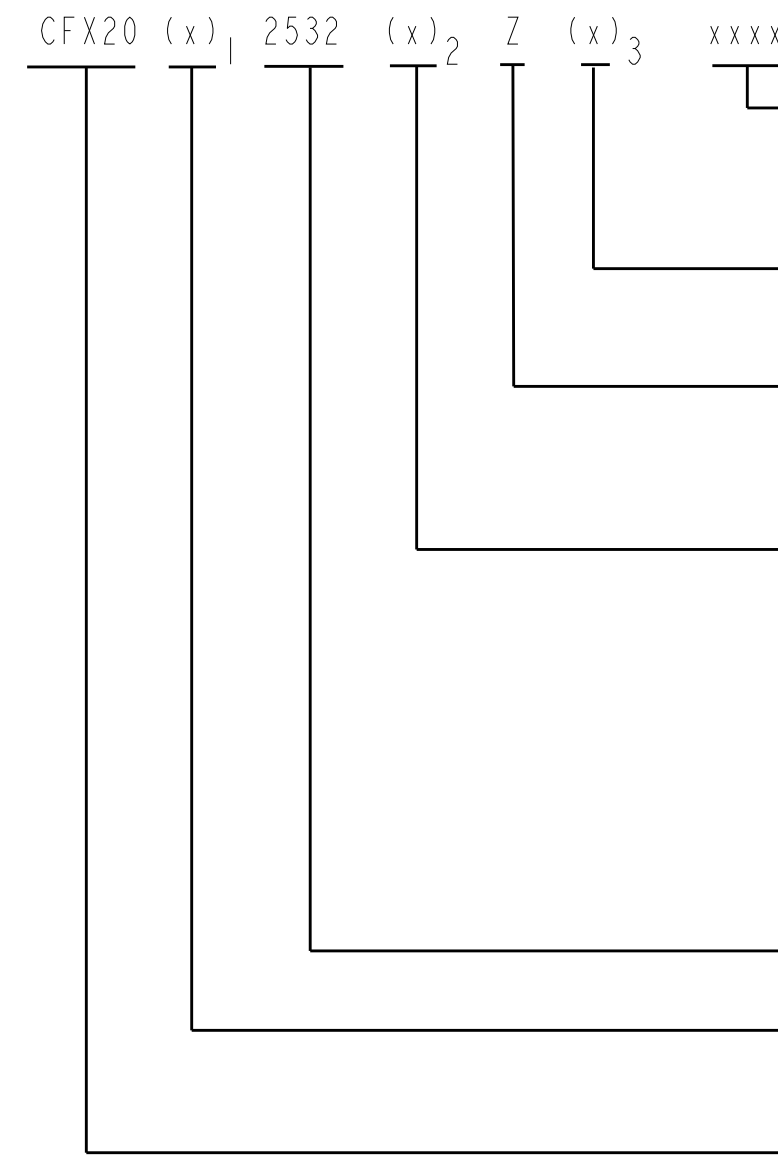
LOC		DIST		REVISIONS			
P	LTR	DESCRIPTION	DATE	DWN	APVD		
-	-	SEE SHEET 1	-	-	-		



BACK PANEL MOUNTING
 MAX DISTANCE BETWEEN MOUNTING SCREWS



FRONT PANEL MOUNTING
 MAX DISTANCE BETWEEN MOUNTING SCREWS



MODIFICATION
 M002 = INCLUDE QTY 4 BAND CLAMPS
 PART NUMBER BND-0812S

KEYING POSITION:
 N, A, B, C, D, E

CONTACT TERMINATION:
 Z = CRIMPED CONTACT
 A THROUGH Y = EXTENDED CONTACT

CONTACT FINISH:
 P = PIN LOCALIZED GOLD FINISH
 S = SOCKET LOCALIZED GOLD FINISH
 F = PIN FULL GOLD FINISH
 G = SOCKET FULL GOLD FINISH
 H = PIN HI REL FINISH
 J = SOCKET HI REL FINISH
 A = LESS PIN CONTACT
 B = LESS SOCKET CONTACT

SHELL SIZE/INSERT ARRANGMENT

PLATING/SHELL MATERIAL:
 SEE TABLE

BASIC IDENTIFIER

- 7. TORQUE LEVEL FOR SIZE 25 BACKSHELL: 140/120 INCH*POUNDS.
- 6. COMPOSITE WEIGHT WITHOUT MODULES AND CABLE: 0.196 POUNDS.
 METAL WEIGHT WITHOUT MODULES AND CABLE: 0.227 POUNDS.
 PIN MODULE, FOLLOWER AND BRAID SUPPORTS WEIGHT: .011 LBS.
 SOCKET MODULE, FOLLOWER AND BRAID SUPPORTS WEIGHT: .017 LBS.

5. MATES WITH CFX26x2532xxx.

4. FINISH: SHELL/BACKSHELL - SEE TABLE.
 CONTACTS - SEE PART NUMBER BREAKDOWN.

3. MATERIAL: SHELL - SEE TABLE.
 BACKSHELL/ COUPLING RING - ALUMINUM ALLOY.
 CONTACTS - COPPER ALLOY.
 RESILIENT INSERTS/BACKSHELL GROMMET - SILICONE ELASTOMER.
 PLASTIC INSERTS - THERMOPLASTIC.

2. FOR AVAILABILITY CONSULT FACTORY.

1. ALL DIMENSIONS ARE IN INCHES UNLESS OTHERWISE SPECIFIED.

PART NUMBER (x) ₁	PLATING	SHELL MATERIAL
M	NICKEL	COMPOSITE
J	O.D. CAD	COMPOSITE
F	NICKEL	ALUMINUM
W	O.D. CAD	ALUMINUM
S	NICKEL	STAINLESS STEEL
T	PTFE NICKEL	ALUMINUM
Z	BLACK ZINC NICKEL	ALUMINUM

SIZE 25 PART NUMBER(x) ₃	POS
CFX20x2532xZN	N
CFX20x2532xZA	A
CFX20x2532xZB	B
CFX20x2532xZC	C
CFX20x2532xZD	D
CFX20x2532xZE	E

THIS DRAWING IS A CONTROLLED DOCUMENT.

DWN	JPF	140218
CHK	JPF	160122
APVD	AR	160122

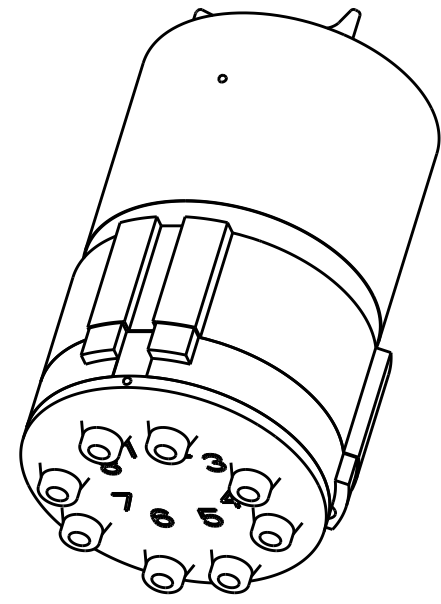
STE TE Connectivity

NAME: CONNECTOR, RECEPTACLE
 FLANGE MOUNT
 2532 ARRANGEMENT

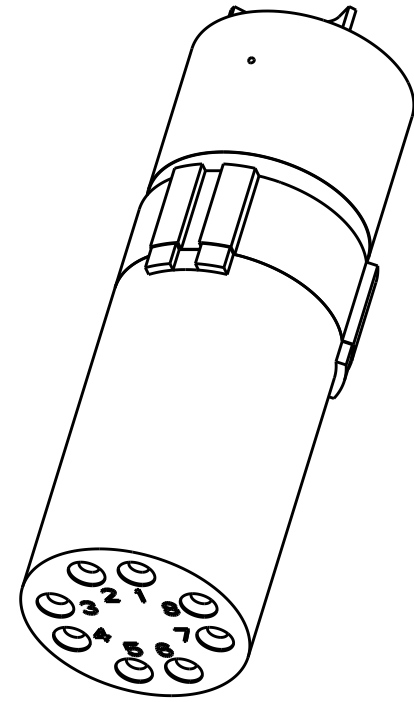
SIZE	A2	CAGE CODE	00779	DRAWING NO	CFX20x2532xxx	RESTRICTED TO	-
WEIGHT	-	SCALE	2.500	SHEET	2	OF	6
CUSTOMER DRAWING			REV	B			

THIS DRAWING IS UNPUBLISHED. RELEASED FOR PUBLICATION 20
 © COPYRIGHT 20 BY - ALL RIGHTS RESERVED.

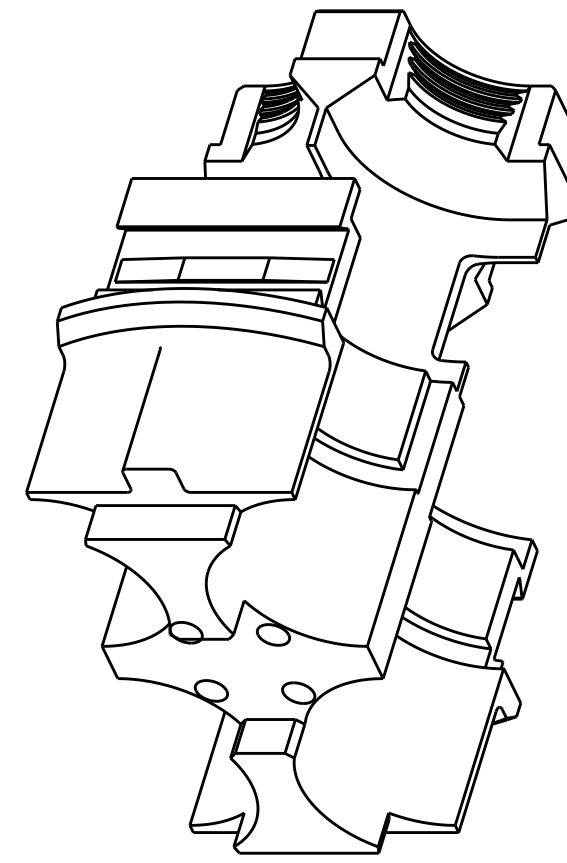
LOC		DIST		REVISIONS			
P	LTR	DATE	DWN	APVD			
-	-	-	-	-	SEE SHEET 1		



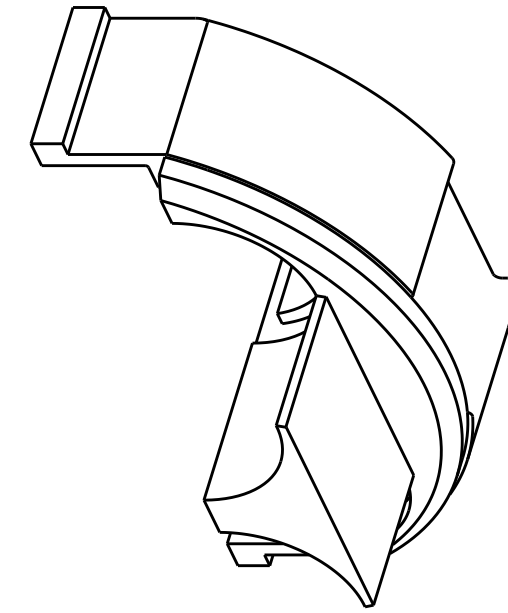
PIN MODULES	
PART NUMBER	DESCRIPTION
A-08P-02	PIN MODULE A
B-08P-02	PIN MODULE B
C-08P-02	PIN MODULE C
D-08P-02	PIN MODULE D



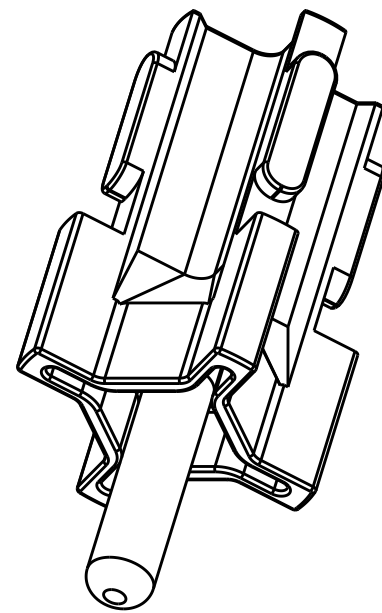
SOCKET MODULES	
PART NUMBER	DESCRIPTION
A-08S-02	SKT MODULE A
B-08S-02	SKT MODULE B
C-08S-02	SKT MODULE C
D-08S-02	SKT MODULE D



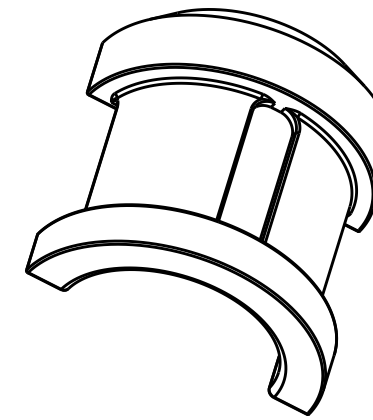
MODULE HOUSING	
PART NUMBER	DESCRIPTION
3311-253-25266	MODULE HOUSING



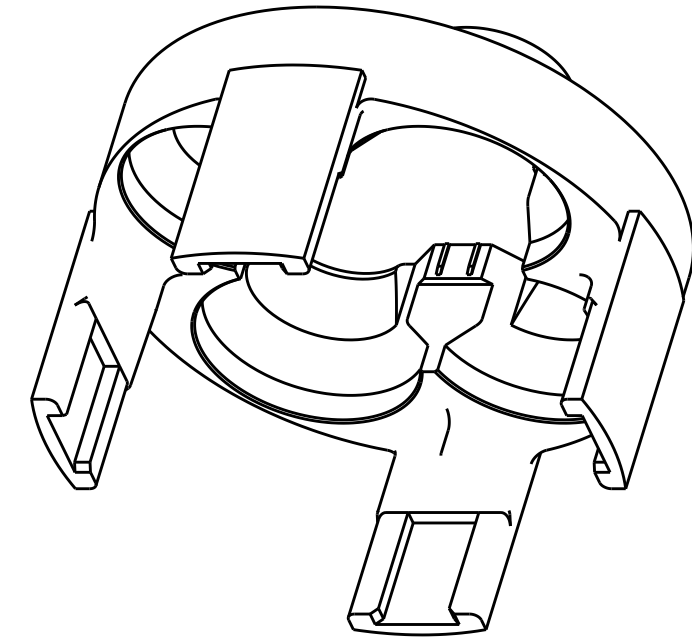
MODULE RETAINER	
PART NUMBER	DESCRIPTION
3311-254-25266	MODULE RETAINER



MODULE FOLLOWER	
PART NUMBER	DESCRIPTION
3302-210-08266	MODULE FOLLOWER



BRAID SUPPORT	
PART NUMBER	DESCRIPTION
3320-215-00261	BRAID SUPPORT

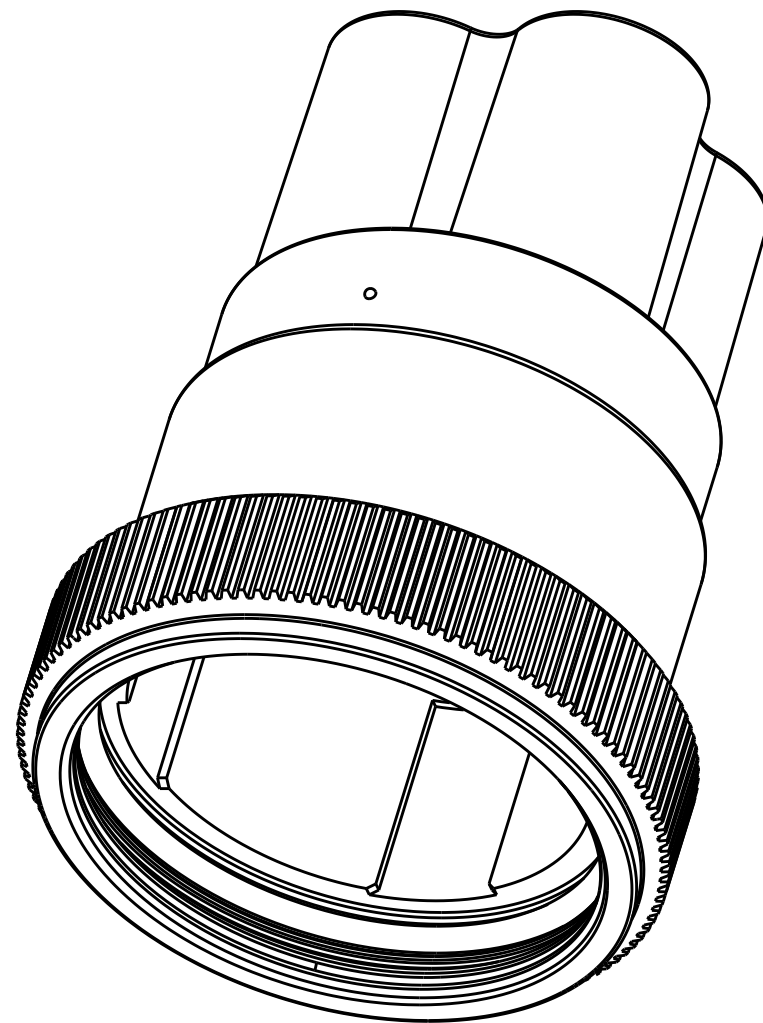


BRAID FOLLOWER	
PART NUMBER	DESCRIPTION
3311-251-25266	BRAID FOLLOWER

THIS DRAWING IS A CONTROLLED DOCUMENT.		DWN	JPF	140218	TE Connectivity	
		CHK	JPF	160122		
		APVD	AR	160122		
		NAME	CONNECTOR, RECEPTACLE FLANGE MOUNT 2532 ARRANGEMENT			
DIMENSIONS: in 		TOLERANCES UNLESS OTHERWISE SPECIFIED: 0 PLC ±- 1 PLC ±0.1 2 PLC ±0.01 3 PLC ±0.001 4 PLC ±0.0001 ANGLES ± FINISH		PRODUCT SPEC - APPLICATION SPEC - WEIGHT -	SIZE A2 CAGE CODE 00779 DRAWING NO CFX20x2532xxx RESTRICTED TO -	
MATERIAL TBD		CUSTOMER DRAWING		SCALE 2.500	SHEET 3 OF 6	REV B

THIS DRAWING IS UNPUBLISHED. RELEASED FOR PUBLICATION 20
 © COPYRIGHT 20 BY - ALL RIGHTS RESERVED.

LOC		DIST		REVISIONS			
P	LTR	DESCRIPTION	DATE	DWN	APVD		
-	-	SEE SHEET 1	-	-	-		



RECEPTACLE BACKSHELL	
PART NUMBER	TYPE DESCRIPTION
3308-210-2558	NICKEL PLATED ALUMINUM
3308-210-25149	OD CAD PLATED ALUMINUM
3308-210-25336	NICKEL FLUOROCARBON POLYMER PLATED ALUMINUM
3308-210-25332	BLACK ZINC NICKEL PLATED ALUMINUM

P,S LOCALIZED FINISHED CONTACTS	
PART NUMBER	DESCRIPTION
38941-22L	PIN CONTACT
38943-22L	SOCKET CONTACT

F,G FULL GOLD FINISHED CONTACTS	
PART NUMBER	DESCRIPTION
38941-22	PIN CONTACT
38943-22	SOCKET CONTACT

H,J HI REL FINISHED CONTACTS	
PART NUMBER	DESCRIPTION
12331-22	PIN CONTACT
12333-22	SOCKET CONTACT

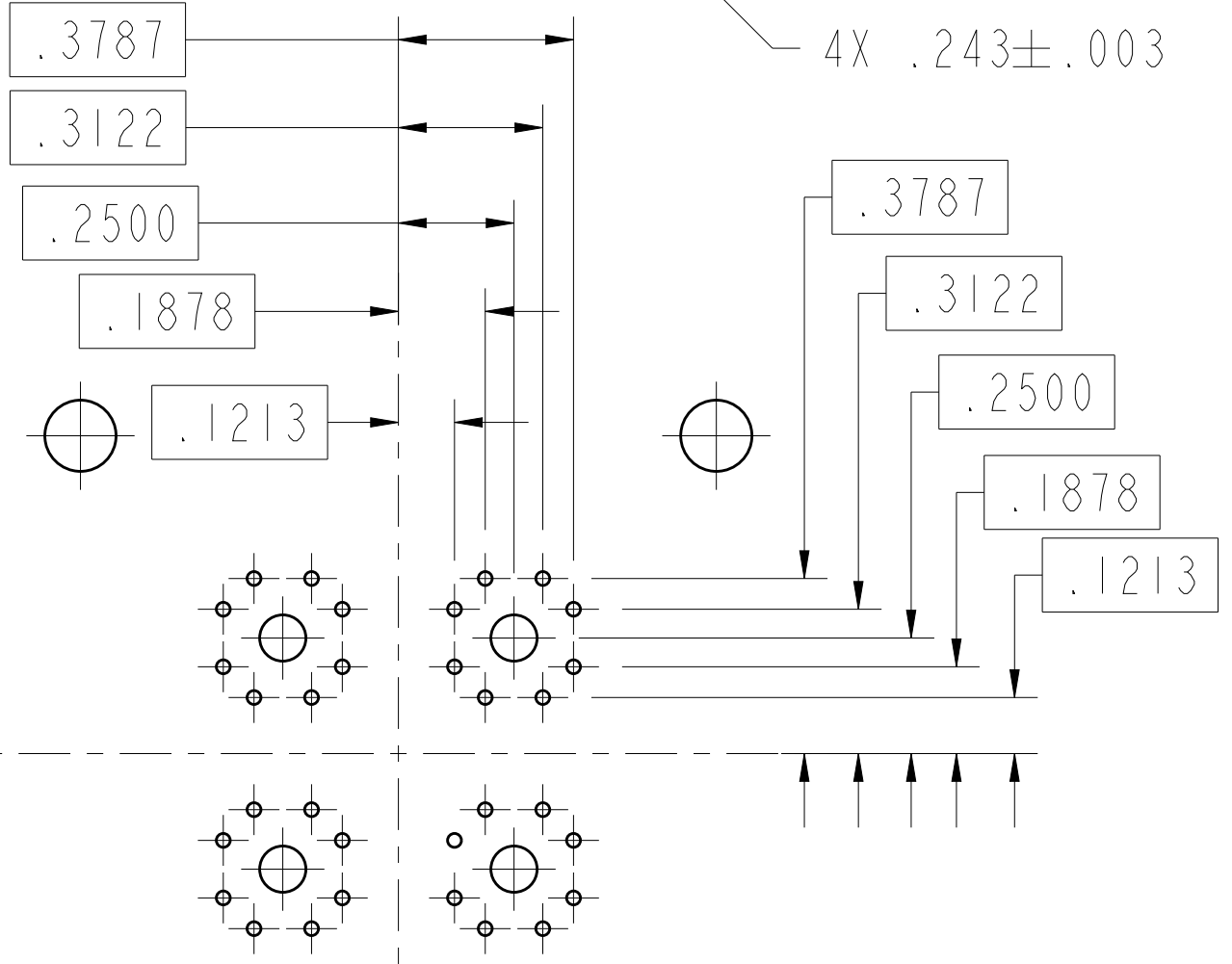
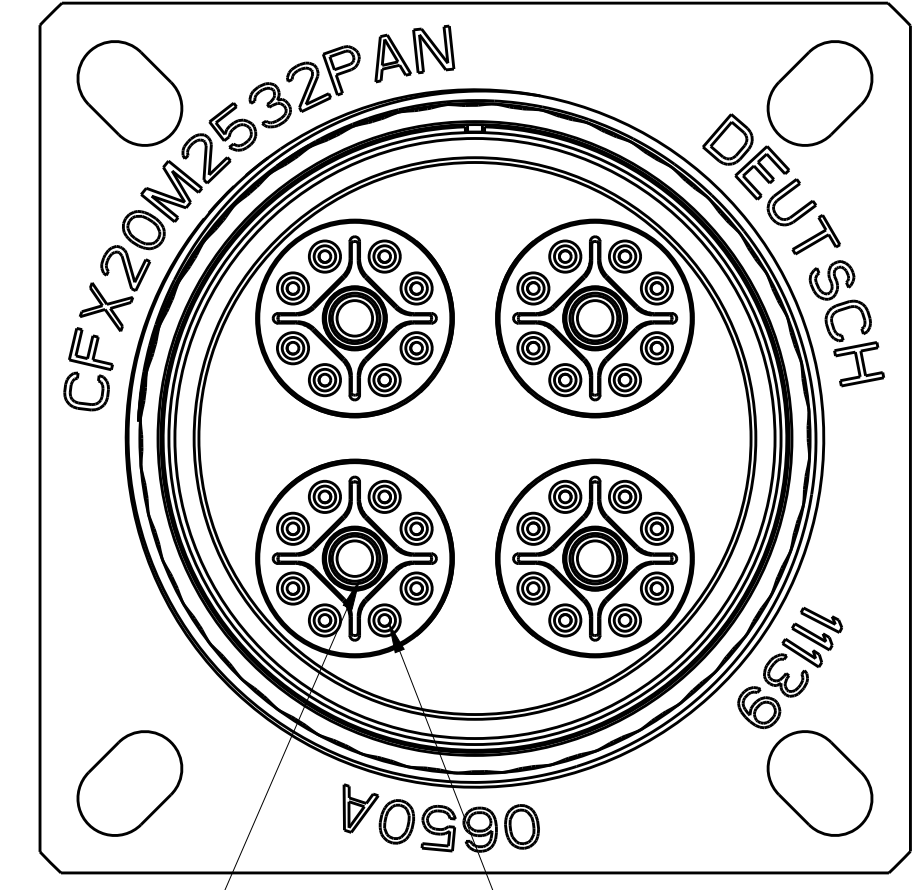
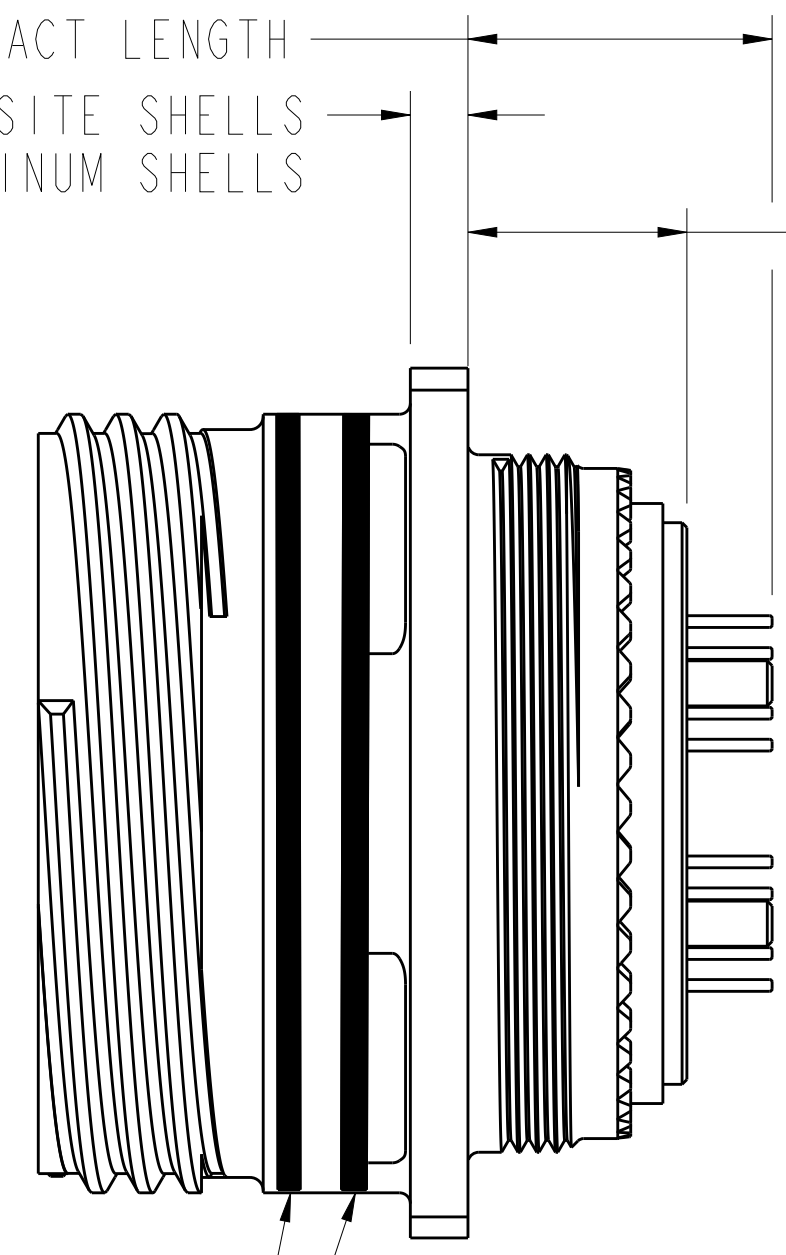
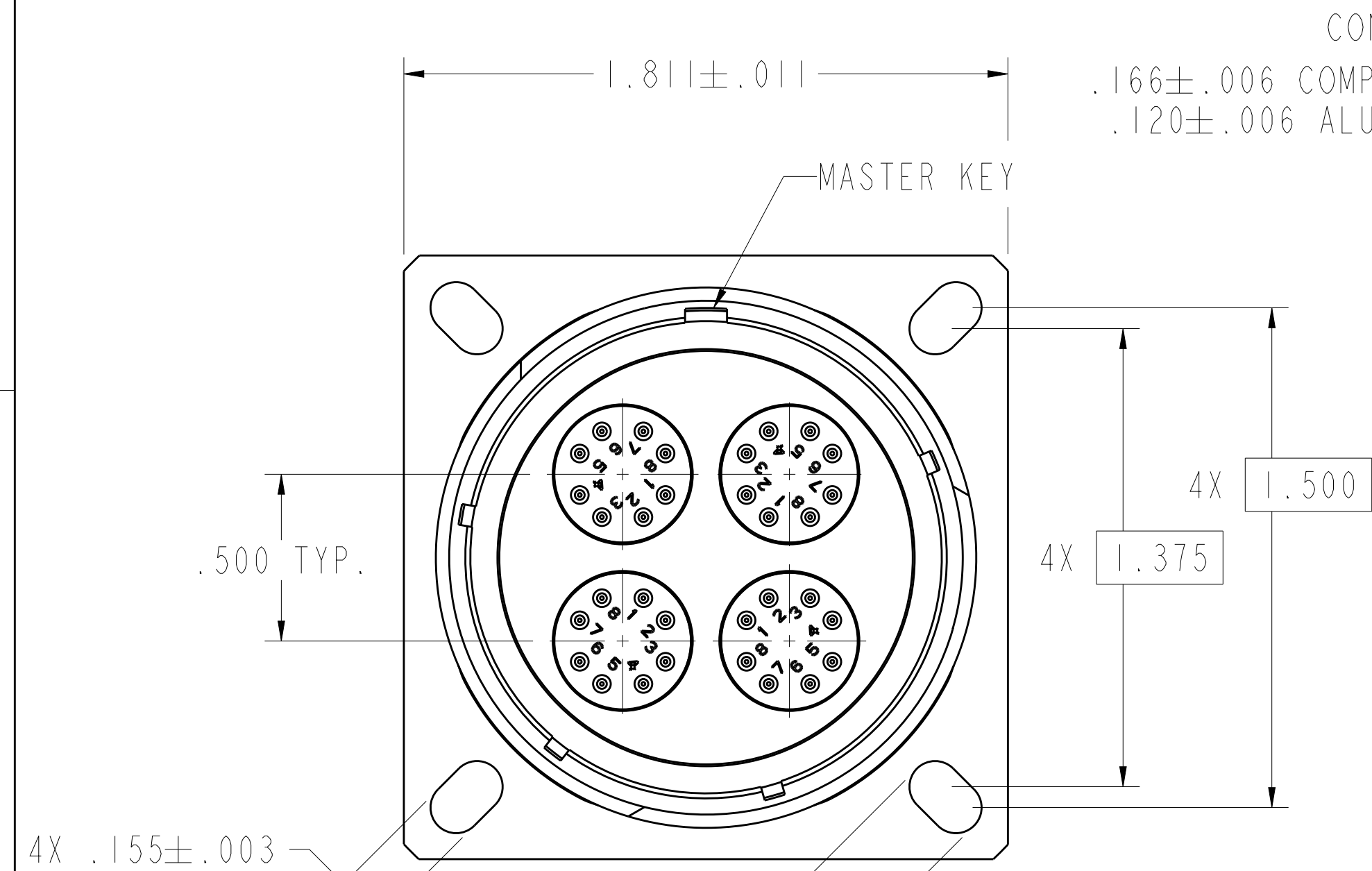
INSERTION/REMOVAL TOOL	
PART NUMBER	DESCRIPTION
M81969/14-01	SIZE 22 TOOL

BAND CLAMP	
PART NUMBER	DESCRIPTION
BND-0812S	ONE STEP BAND - STRAIGHT

THIS DRAWING IS A CONTROLLED DOCUMENT.		DWN	140218	STE TE Connectivity							
DIMENSIONS: in		CHK	160122								
TOLERANCES UNLESS OTHERWISE SPECIFIED:		APVD	160122								
0 PLC ±- 1 PLC ±0.1 2 PLC ±0.01 3 PLC ±0.001 4 PLC ±0.0001 ANGLES ±- FINISH		NAME	CONNECTOR, RECEPTACLE FLANGE MOUNT 2532 ARRANGEMENT								
MATERIAL	TBD	PRODUCT SPEC	-	SIZE	A2	CAGE CODE	00779	DRAWING NO	CFX20x2532xxx	RESTRICTED TO	-
		APPLICATION SPEC	-	SCALE	2.500	SHEET	4	OF	6	REV	B
		WEIGHT	-	CUSTOMER DRAWING							

THIS DRAWING IS UNPUBLISHED. RELEASED FOR PUBLICATION 20
 © COPYRIGHT 20 BY - ALL RIGHTS RESERVED.

LOC		DIST		REVISIONS			
P	LTR	DATE	DWN	APVD			
-	-	-	-	-	SEE SHEET 1		



CONTACT CONFIGURATION IDENTIFIER	CONTACT LENGTH ±.025	CONTACT ONE DIAMETER ±.003	CONTACT TWO DIAMETER ±.003	PLATING
A	.634 ALUMINUM SHELLS .623 COMPOSITE SHELLS	.025	.095	GOLD OVER NICKEL
B	TBD			
C	TBD			
D	TBD			

NOTES:

1. THIS PAGE IS FOR CONTACT TERMINATION CODE A THROUGH Y.
 SEE PAGE 2 FOR PART NUMBER BREAKDOWN.

THIS DRAWING IS A CONTROLLED DOCUMENT.

DWN	JPF	140218
CHK	JPF	160122
APVD	AR	160122

TE Connectivity

NAME: CONNECTOR, RECEPTACLE
 FLANGE MOUNT
 2532 ARRANGEMENT

SIZE: A2 | CAGE CODE: 00779 | DRAWING NO: C-CFX20x2532xxx | RESTRICTED TO: -

MATERIAL: TBD | TOLERANCES UNLESS OTHERWISE SPECIFIED: IN | FINISH: ±

0 PLC ±
 1 PLC ±0.1
 2 PLC ±0.01
 3 PLC ±0.001
 4 PLC ±0.0001
 ANGLES ±

PRODUCT SPEC: -
 APPLICATION SPEC: -
 WEIGHT: -

CUSTOMER DRAWING | SCALE: 2.500 | SHEET 5 OF 6 | REV B

THIS DRAWING IS UNPUBLISHED. RELEASED FOR PUBLICATION 20
 © COPYRIGHT 20 BY - ALL RIGHTS RESERVED.

CONTACT LENGTH

REVISIONS							
LOC	DIST	P	LTR	DESCRIPTION	DATE	DWN	APVD
-	-	-	-	SEE SHEET 1	-	-	-

.166±.006 COMPOSITE SHELLS
 .120±.006 ALUMINUM SHELLS
 .456±.010 ALUMINUM SHELLS
 .445±.010 COMPOSITE SHELLS

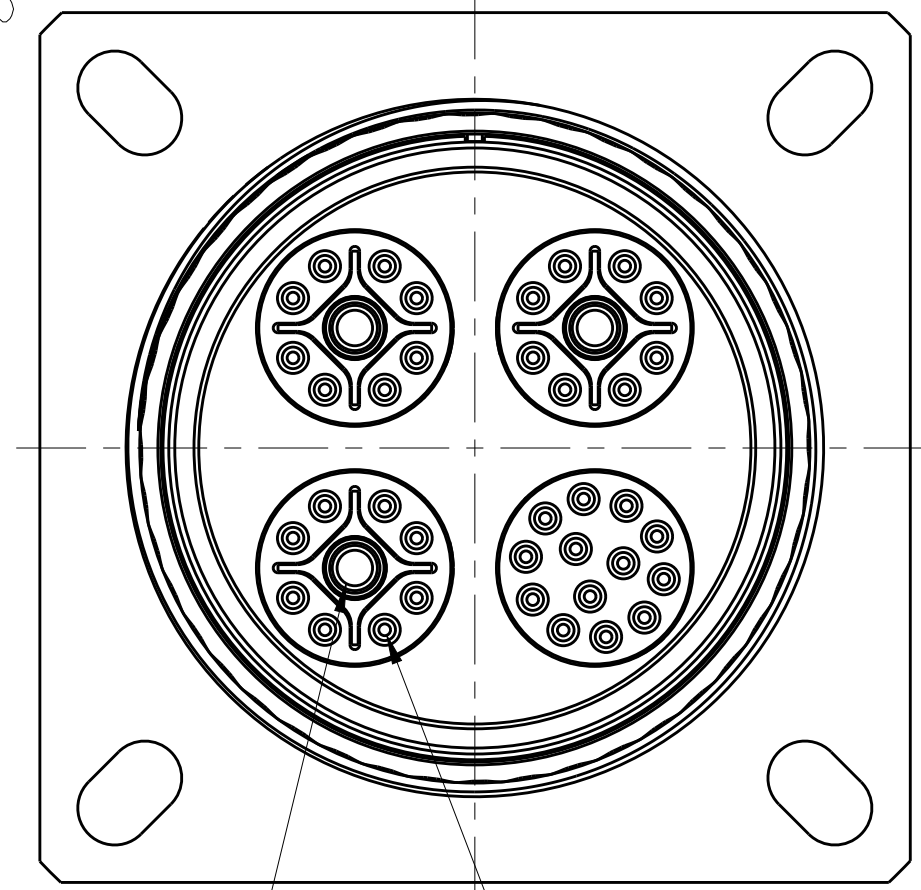
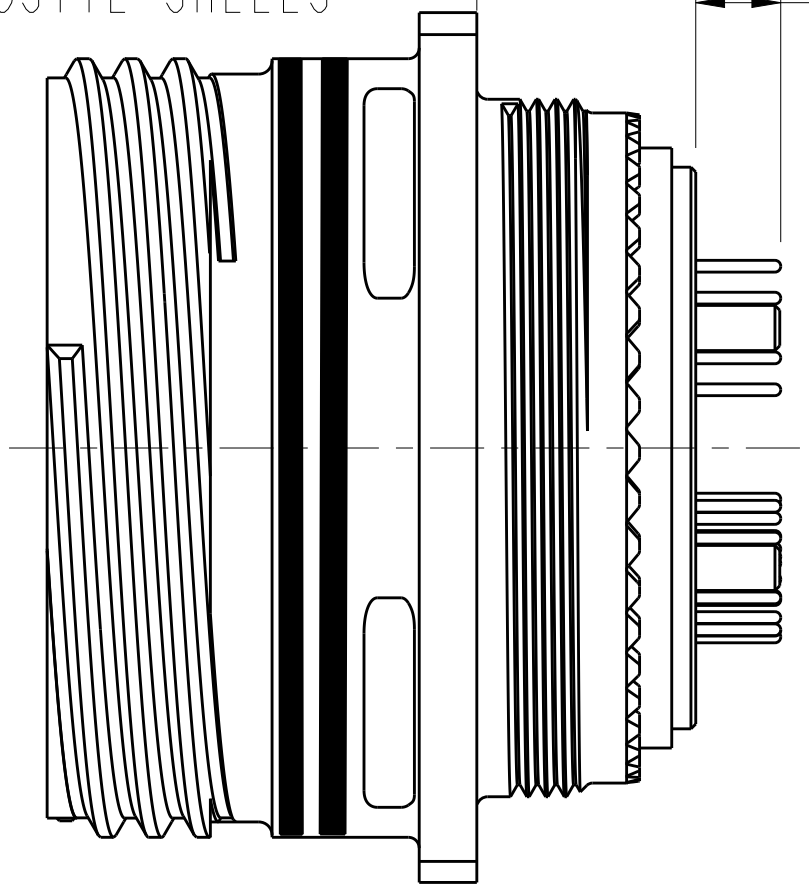
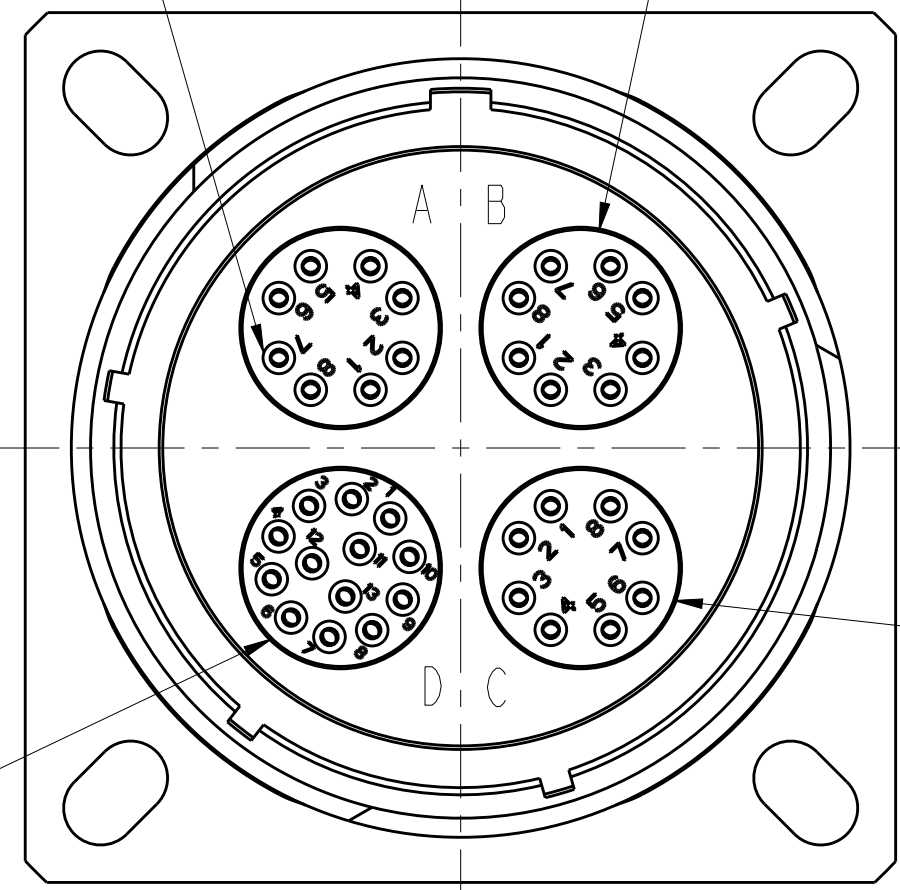
.177±.015

11H8 SOCKET ARRANGEMENT

11H8 SOCKET ARRANGMENT

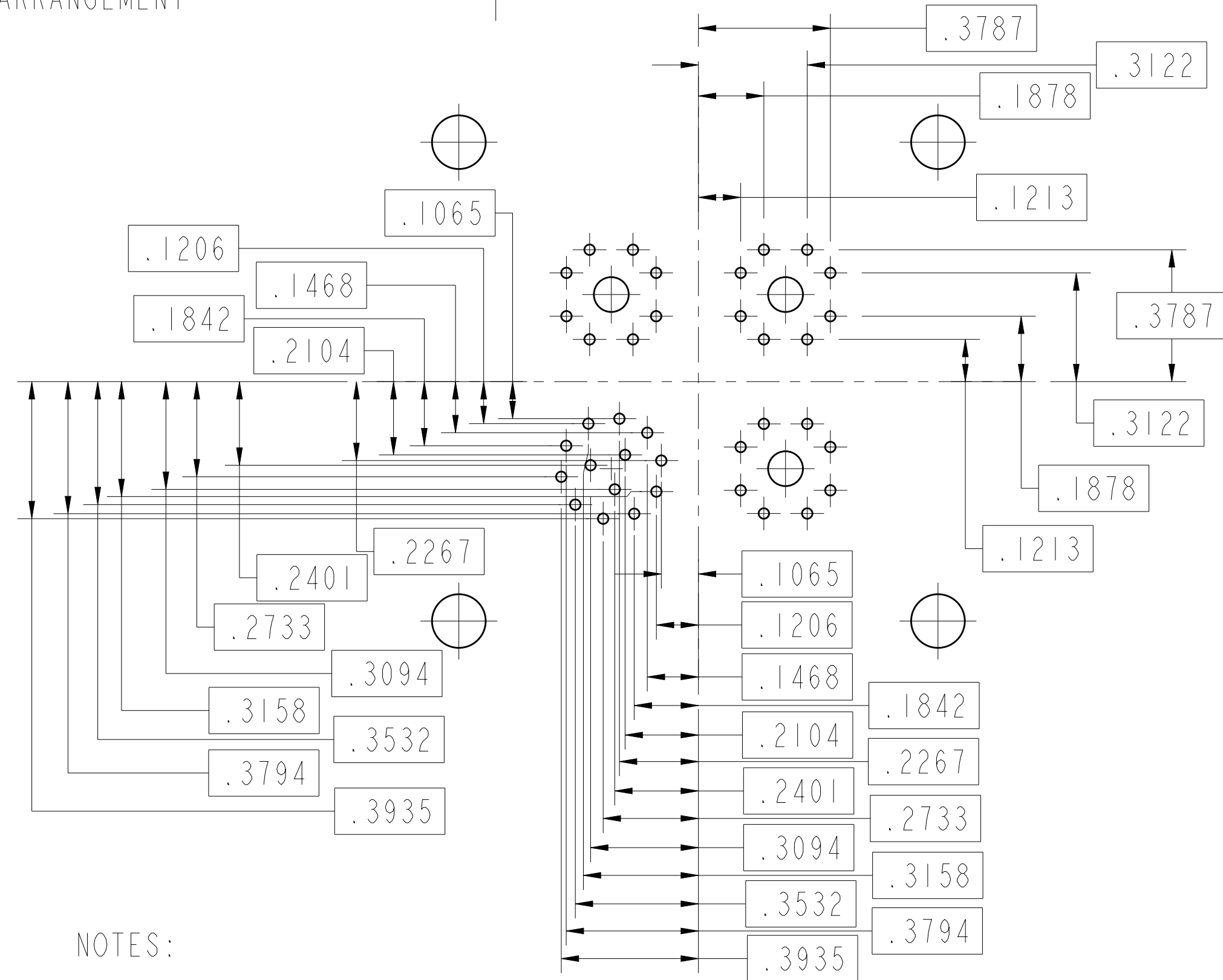
11H8 SOCKET ARRANGEMENT

1135 SOCKET ARRANGEMENT



4X CONTACT TWO

32X CONTACT ONE



CONTACT CONFIGURATION IDENTIFIER	CONTACT LENGTH ±.025	CONTACT ONE DIAMETER ±.003	CONTACT TWO DIAMETER ±.003	PLATING
A	.634 ALUMINUM SHELLS .623 COMPOSITE SHELLS	.025	.095	GOLD OVER NICKEL
B	TBD			
C	TBD			
D	TBD			

THIS DRAWING IS A CONTROLLED DOCUMENT.		DWN JPF 140218	TE Connectivity	
DIMENSIONS: in		CHK JPF 160122		
TOLERANCES UNLESS OTHERWISE SPECIFIED:		APVD AR 160122	NAME CONNECTOR, RECEPTACLE FLANGE MOUNT 2599 ARRANGEMENT	
0 PLC ±-		PRODUCT SPEC -	SIZE A2	
1 PLC ±0.1		APPLICATION SPEC -	CAGE CODE 00779	
2 PLC ±0.01		WEIGHT -	DRAWING NO C-CFX20x2599xxx	
3 PLC ±0.001		CUSTOMER DRAWING	RESTRICTED TO -	
4 PLC ±0.0001		SCALE 2.500	SHEET 6 OF 6	
ANGLES ±			REV B	
FINISH				
MATERIAL TBD				

NOTES:

1. THIS PAGE IS FOR CONTACT TERMINATION CODE A THROUGH Y.
 SEE PAGE 2 FOR PART NUMBER BREAKDOWN.