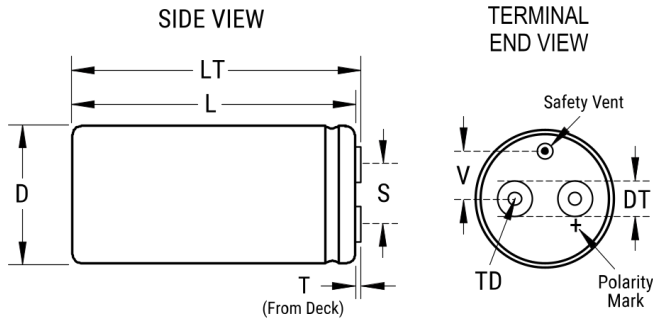


ALS80C123QP350

Aliases (A381US123M350C)

ALS80, Aluminum Electrolytic, 12,000 uF, 20%, 350 VDC, -40/+105°C



Click [here](#) for the 3D model.

Dimensions

D	90mm +/-1mm
L	146mm +/-2mm
T	5.5mm +/-0.5mm
S	31.8mm +/-0.5mm
DT	13mm +/-0.5mm
LT	Available On Request
TD	10mm MIN
V	25mm NOM

Packaging Specifications

Sleeving	Yes
Packaging	Tray

General Information

Series	ALS80
Dielectric	Aluminum Electrolytic
Description	Screw Terminal, Aluminum Electrolytic
RoHS	Yes
AEC-Q200	No
Halogen Free	Yes
Component Weight	1345 g
Notes	Dimensions D And L Include Sleeving. MS (MxH) = M12x16. Mounting Clamp (Sold Separately): V90N
Shelf Life	156 Weeks

Specifications

Capacitance	12,000 uF
Capacitance Tolerance	20%
Voltage DC	350 VDC, 385 VDC (Surge)
Temperature Range	-40/+105°C
Rated Temperature	105°C
Life	9000 Hrs (Rated Voltage And Ripple Current At 105C), 15000 Hrs (Rated Voltage At 105C)
Resistance	19 mOhms (100Hz 20C), 13 mOhms (10kHz 20C)
Ripple Current	19.7 Amps (100Hz 105C), 27.8 Amps (10 kHz 105C)
Leakage Current	6000 uA