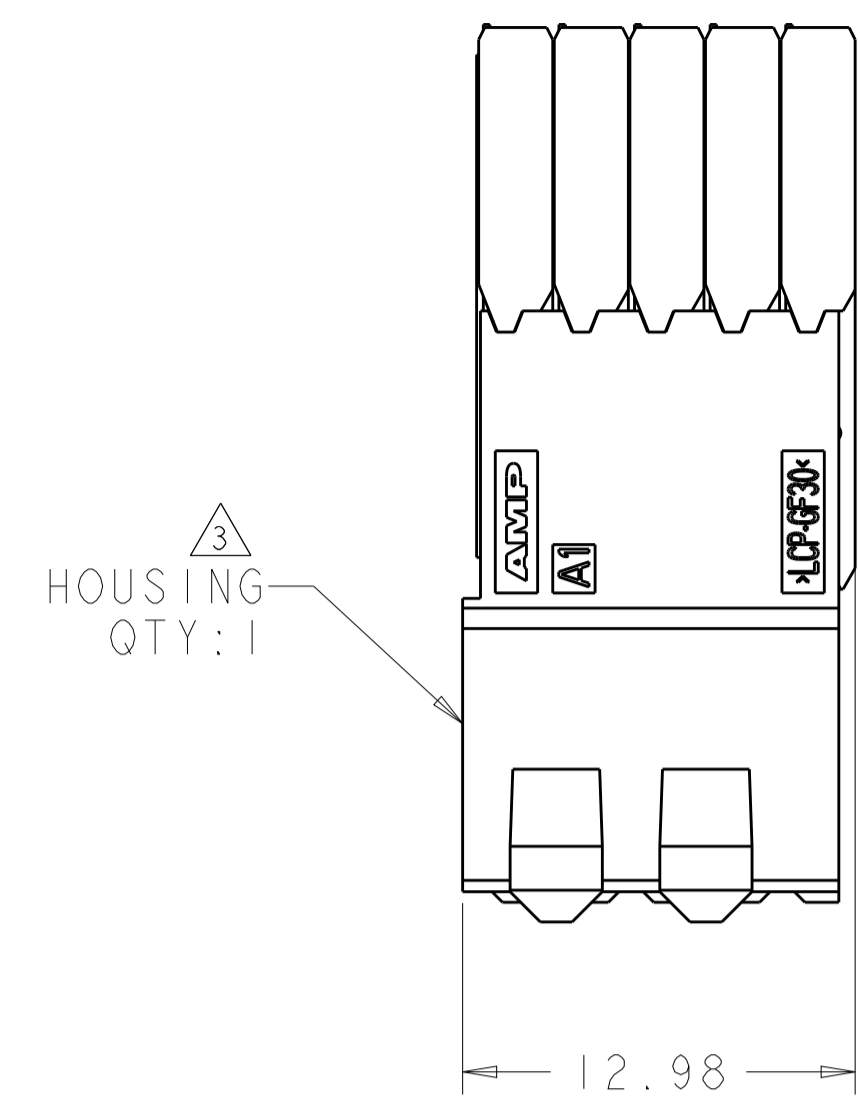
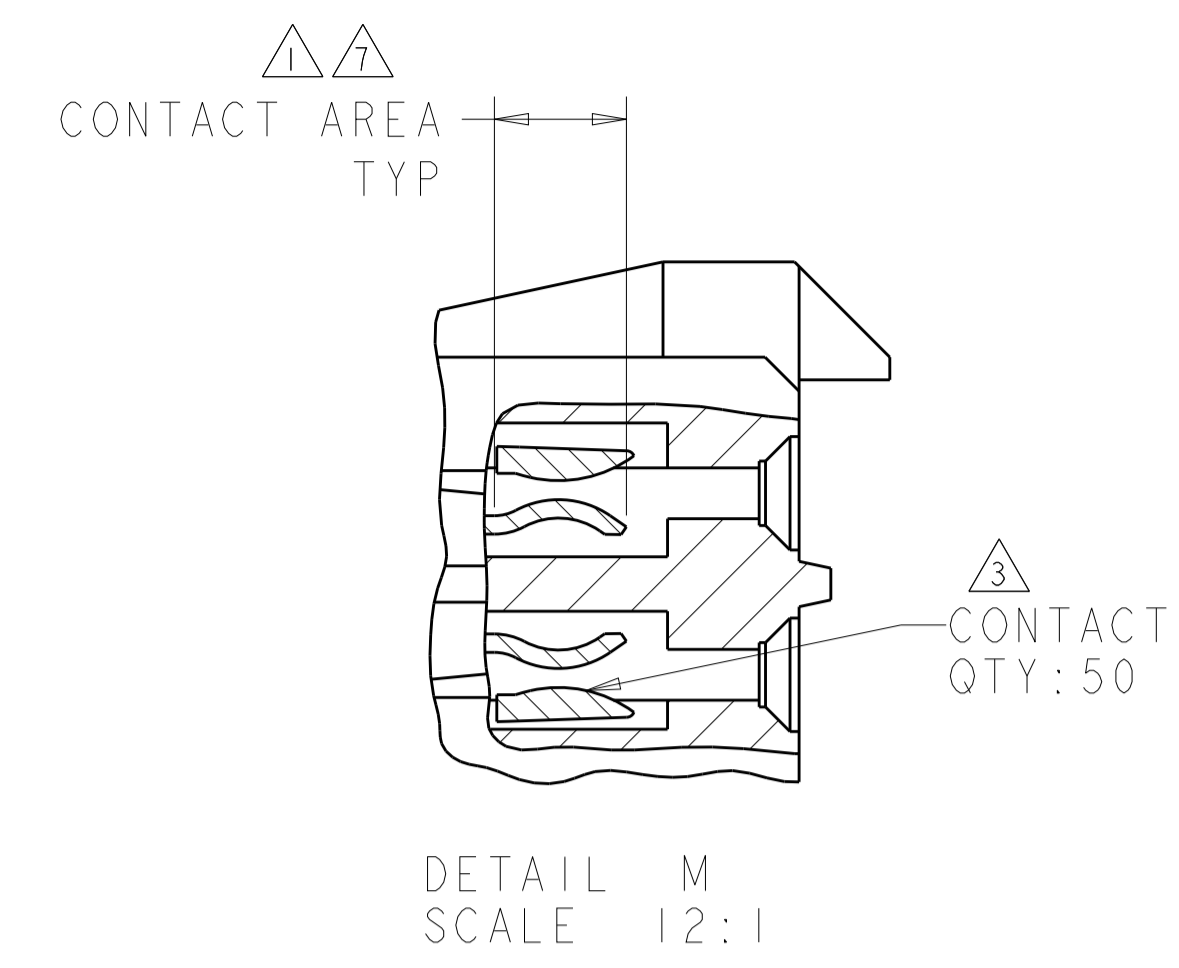
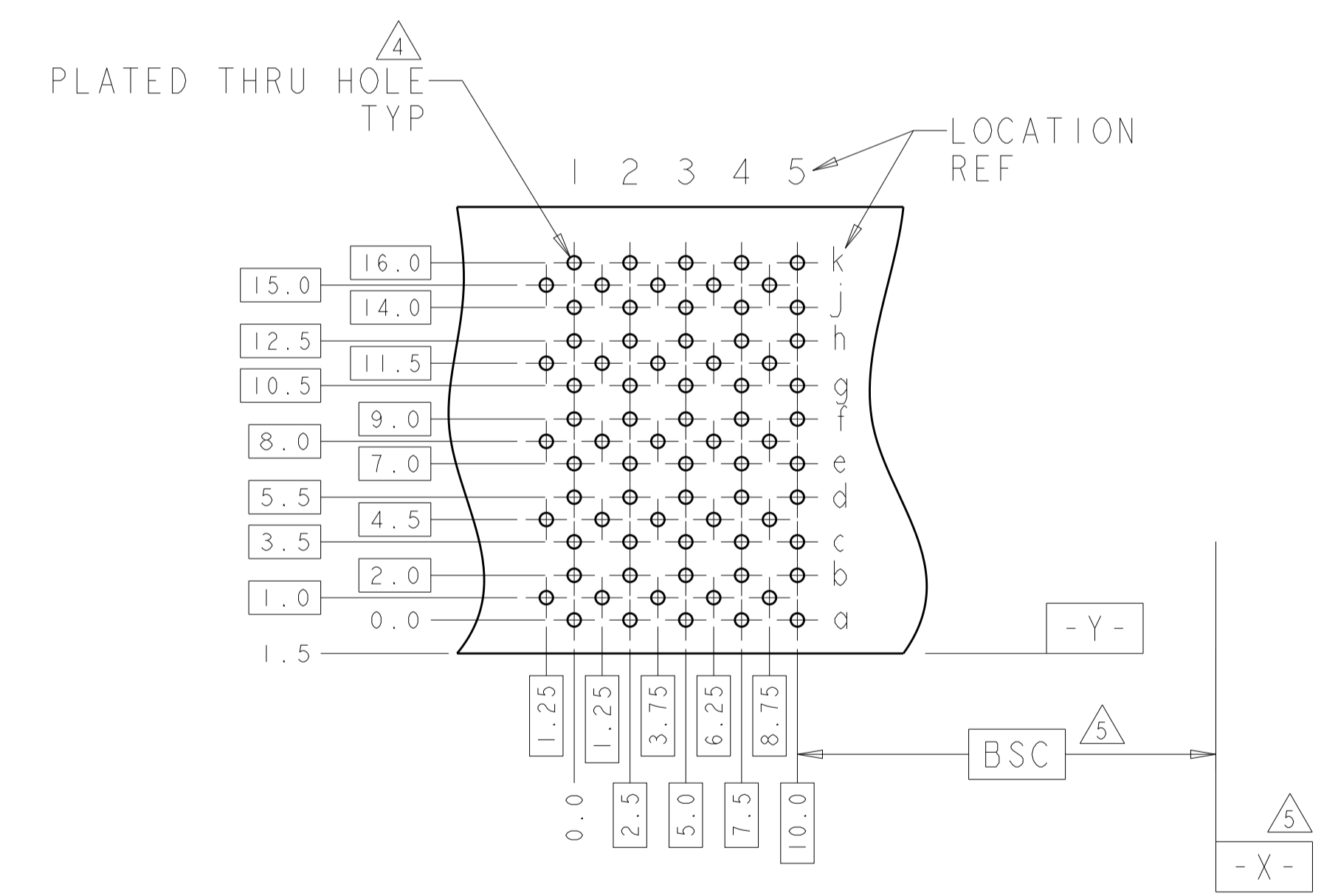
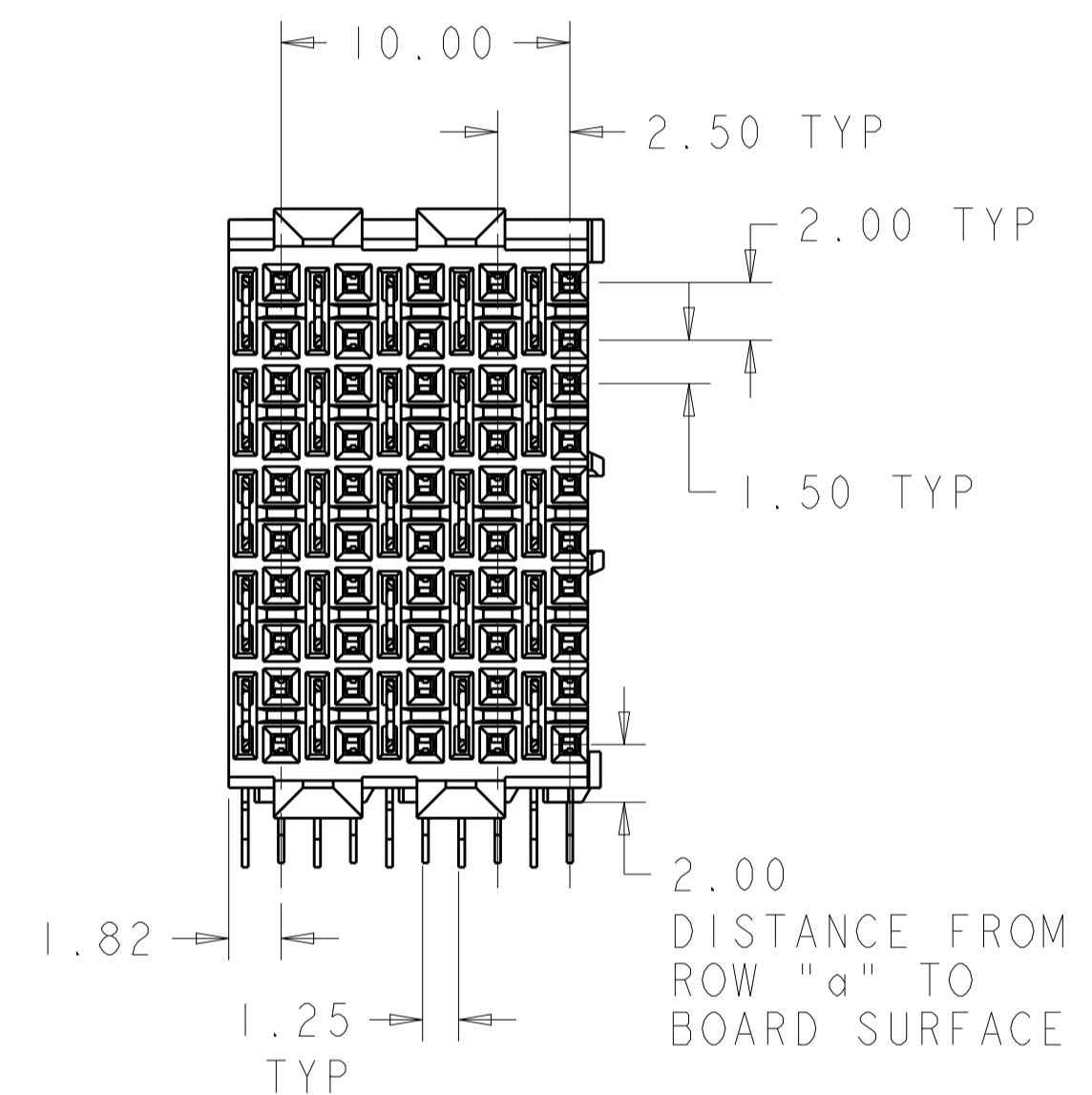
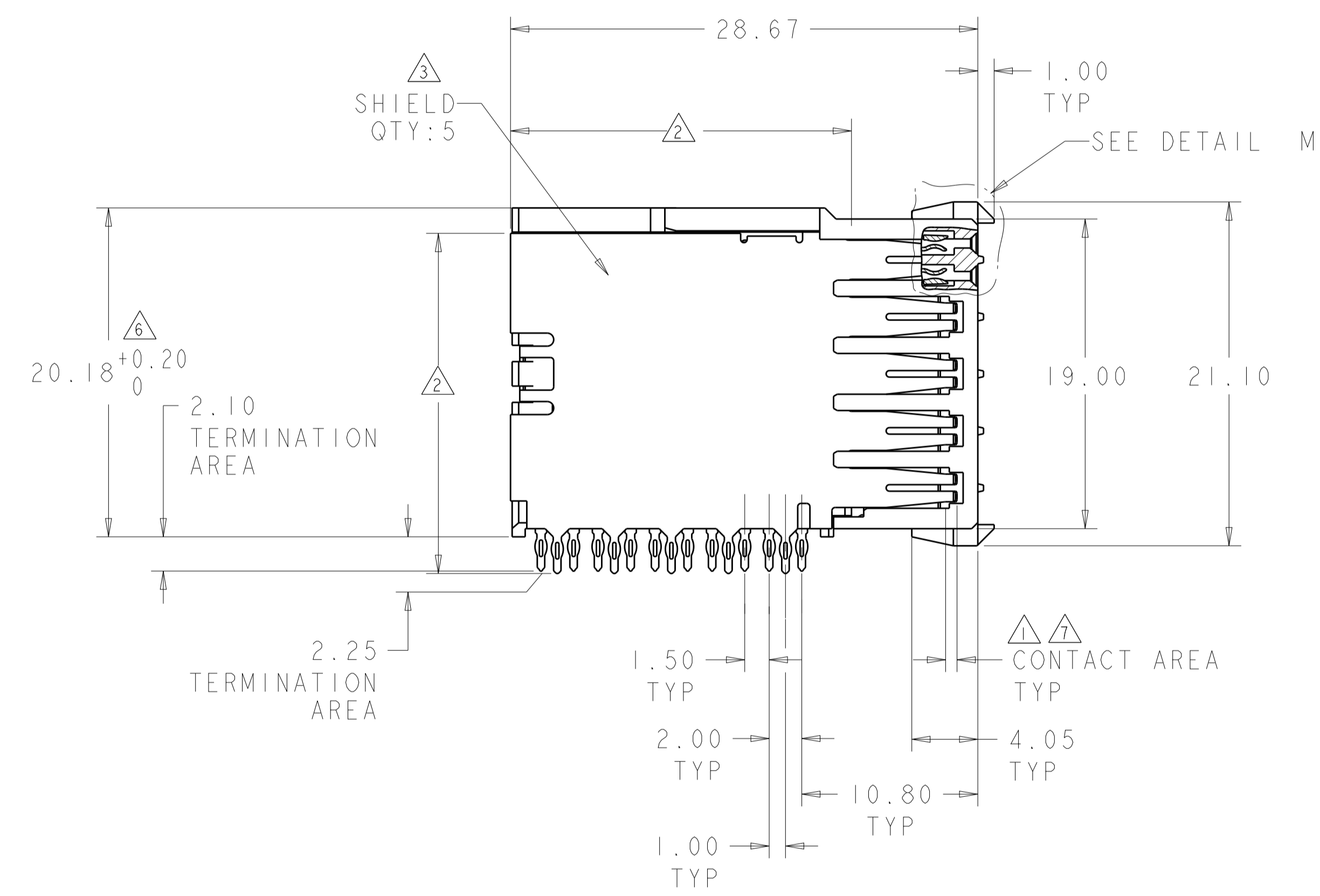


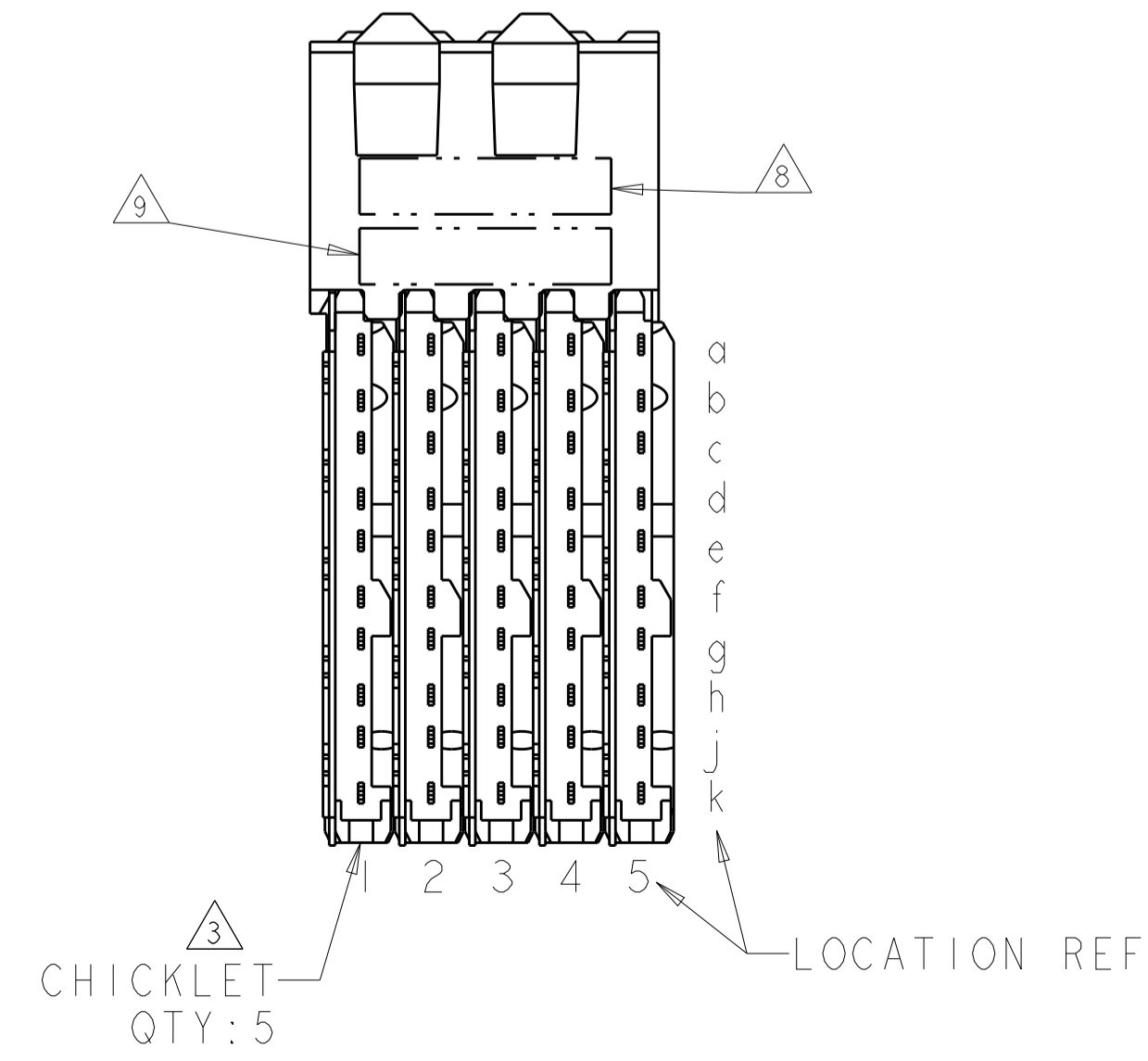
LOC		DIST		REVISIONS			
P	LTN	DESCRIPTION	DATE	DWN	APVD		
B		REVISED PER ECO-18-020072	25DEC2018	R, L	H, L		



- △ CONTACT MATING AREA MEETS THE PERFORMANCE REQUIREMENTS OF TE CONNECTIVITY PRODUCT SPECIFICATION 108-1957; BASED ON TELCORDIA GR-1217-CORE, APPLICATIONS IN UNCONTROLLED ENVIRONMENTS.
- △ 0.76µm MIN TIN OVER 1.27µm MIN NICKEL
- △ MATERIAL: CONTACT - COPPER ALLOY
SHIELD - PHOSPHOR BRONZE
HOUSING - LCP, UL94V-0
CHICKLET - GLASS FILLED POLYESTER
- △ REFERENCE APPLICATION SPEC 114-13020 FOR RECOMMENDED PLATED THRU HOLE DIAMETER AND PLATING THICKNESS.
- △ DATUM AND BASIC DIMENSION ESTABLISHED BY CUSTOMER.
- △ SEATING HEIGHT TO BOARD SURFACE.
- △ CONTACT AREA LUBRICATED WITH BELLCORE APPROVED LUBRICANT. TECHNICAL REFERENCE: GR-1217-CORE, ISSUE 1, NOVEMBER 1995.
- △ DATE CODE
- △ PART NUMBER



RECOMMENDED PRINTED
 CIRCUIT BOARD LAYOUT
 COMPONENT SIDE OF PRINTED CIRCUIT BOARD



5120791-1
 PART NUMBER

THIS DRAWING IS A CONTROLLED DOCUMENT.		DWN: B. CARBO 08DEC04	TE Connectivity
DIMENSIONS: mm		CHK: R. PATTERSON 08DEC04	
TOLERANCES UNLESS OTHERWISE SPECIFIED:		APVD: R. PATTERSON 08DEC04	NAME: RECEPTACLE ASSEMBLY, 50 POSITION 10 ROW, DUAL BEAM, Z-PACK HS3
0 PLC ±		PRODUCT SPEC: 108-1957	
1 PLC ±0.2		APPLICATION SPEC: 114-13020	SIZE: A1 CAGE CODE: 00779 DRAWING NO: 5120791
2 PLC ±0.13		WEIGHT: -	
3 PLC ±0.05		RESTRICTED TO: -	SCALE: 4:1 SHEET 1 OF 1 REV B
4 PLC ±		CUSTOMER DRAWING	
ANGLES ±			
FINISH: SOLDER TAIL CONTACT			