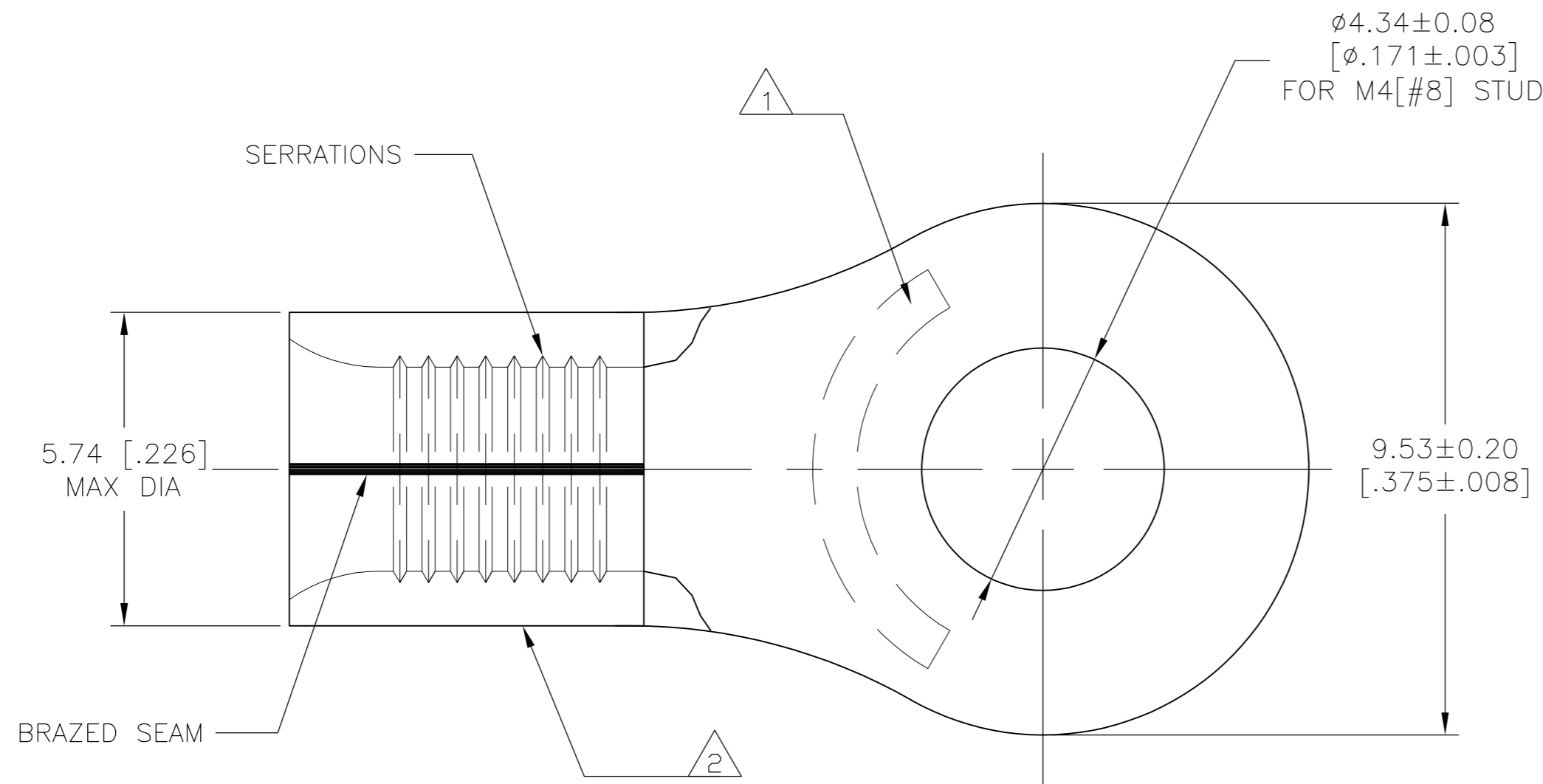


THIS DRAWING IS UNPUBLISHED. RELEASED FOR PUBLICATION
 © COPYRIGHT - By - ALL RIGHTS RESERVED.

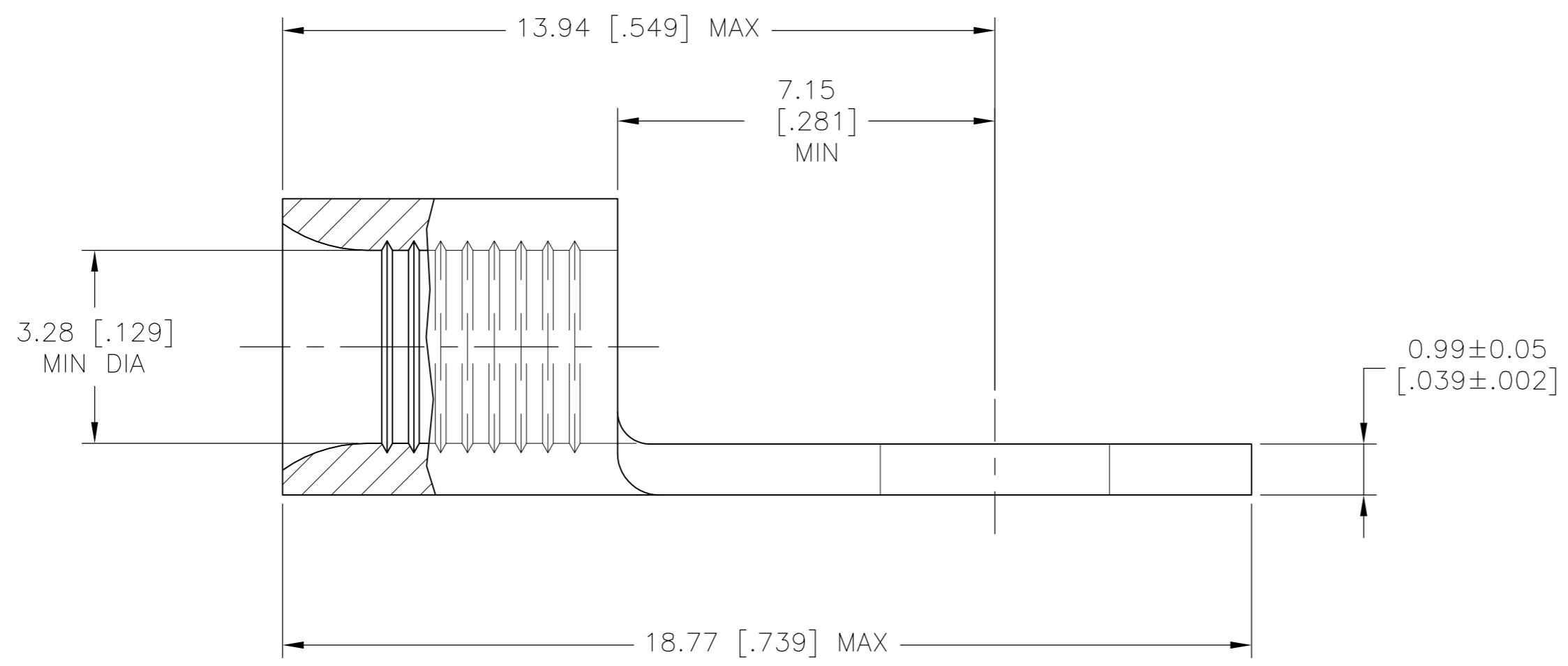
| LOC | | DIST | | REVISIONS | | | |
|-----|-----|-------------|---------------------------|-----------|-----|------|--|
| P | LTR | DESCRIPTION | | DATE | DWN | APVD | |
| G | 14 | K2 | REVISED PER ECO-13-008373 | 20MAY2013 | KH | DR | |



AMP
WIRE RANGE

12-10 AWG
SOLID OR STRANDED

- 1 STAMP AMP 12-10, APPROX AS SHOWN
- 2 WIRE BARREL COLOR CODED ORANGE TO DENOTE NICKEL MATERIAL
- 3 NICKEL PER ASTM B-162, ANNEALED
- 4 NOTE DELETED.



| | | |
|------|-------------------|------------|
| 50 | LOOSE PIECE , BOX | 8-323745-2 |
| 2500 | 323745 ON TAPE | 2-323745-6 |
| -- | LOOSE PIECE | 323745 |
| QTY | PACKAGE TYPE | PART NO. |

| | | | | |
|--|--|----------------------------|--|---|
| MAX RECOMMENDED OPERATING TEMPERATURE: 649°C [1200° F] | THIS DRAWING IS A CONTROLLED DOCUMENT. | | DWN JR RUTH 20MAR09 | |
| | VOLTAGE RATING: N/A | DIMENSIONS: mm [INCHES] | TOLERANCES UNLESS OTHERWISE SPECIFIED: | |
| CIRCULAR MIL AREA: 2.62-6.64mm² [5,180-13,100] SOLID OR STRANDED | MATERIAL - 3 | FINISH - | APVD T MICHIELUTTI 20MAR09 | NAME TE Connectivity |
| | | | PRODUCT SPEC - | TERMINAL, RING TONGUE, HIGH TEMPERATURE, STRATO-THERM |
| | | | APPLICATION SPEC - | SIZE A2 |
| | | | WEIGHT - | CAGE CODE 00779 |
| | | | CUSTOMER DRAWING | DRAWING NO C=323745 |
| | | | SCALE 10:1 | RESTRICTED TO - |
| | | | SHEET 1 of 1 | REV K2 |