

PART NAME: HUSKY KNOB SCALE: 1:1 DATE: 11/23/88 DR. BY HD

THIS DRAWING IS THE PROPERTY OF DAVIES MOLDING COMPANY, IS SUBMITTED SOLELY AS A DESIGN OR ENGINEERING PROJECT. WE ACCEPT NO RESPONSIBILITY WHATSOEVER FOR THE PRACTICAL APPLICATION OF THE PIECES MADE TO THIS DESIGN.

DAVIES MOLDING DESIGNERS & MANUFACTURERS OF KNOBS, HANDLES, CASES & CUSTOM PLASTIC COMPONENTS

P/N 2850-T

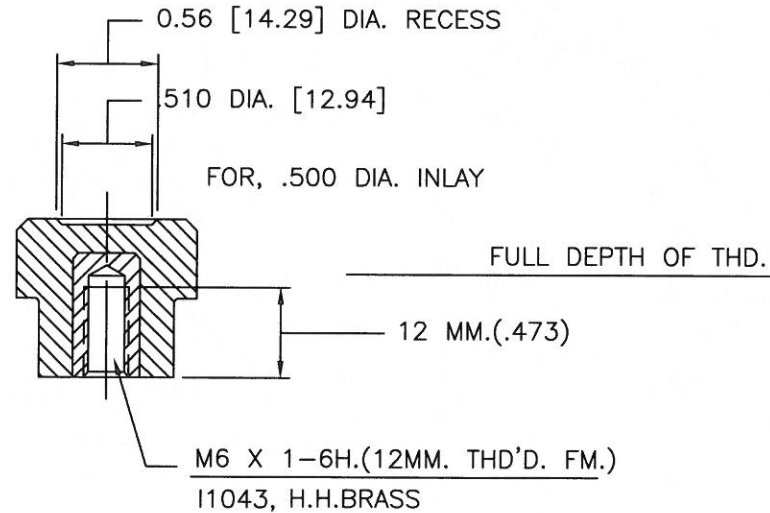
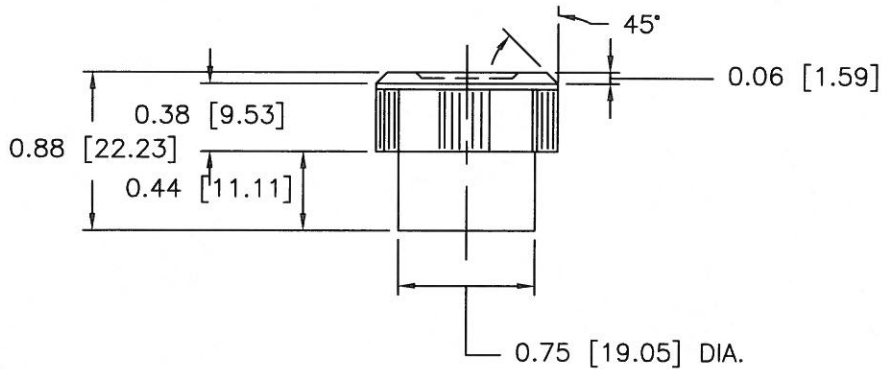
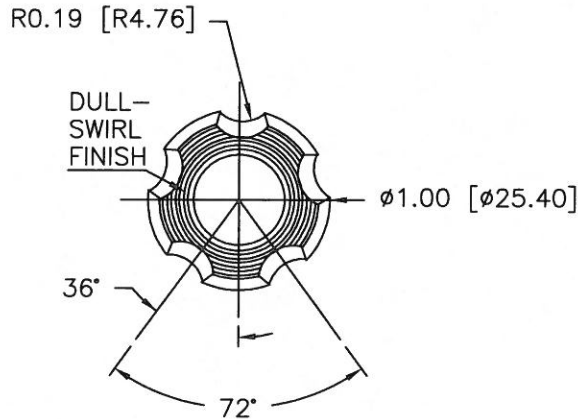
M NO. 3025-2

CAD/REDRAWN : 7/28/94 : HD

NOTE : FOR ALL # 2850 MOLD SET-UPS IN # 3025-2 MOLD FRAME BE SURE SPACER EXTENSIONS ARE MOUNTED UNDER LEG SUPPORTS.

USE ONLY # 3025-2 MOLD FRAME

| | |
|-------------|--------------|
| CAV. | 2850 |
| PLUNGER | 2850 |
| PIN | 3000-D |
| INSERT | 11043 |
| LEG SPACER | 2850(4) |
| EXTENSION | 1.693 HIGH |
| PLUNGER KEY | 1/4x1/4x9/16 |
| CAVITY KEY | 1/4x1/4x9/16 |



MATERIAL: G.P. PHENOLIC (B11)
COLOR: BLACK

| | | | | |
|---|----------------------------------|---------|--|--|
| TOLERANCES: UNLESS OTHERWISE SPECIFIED | DO NOT SCALE DRAWING | | | |
| DECIMALS: X.XXX ± .005 X.XX ± .015 | MM: X.XX ± 0.15MM X.X ± 0.4MM | | | |
| FRACTIONS ± 1/64 | ANG. ± 1' | CHANGES | | |