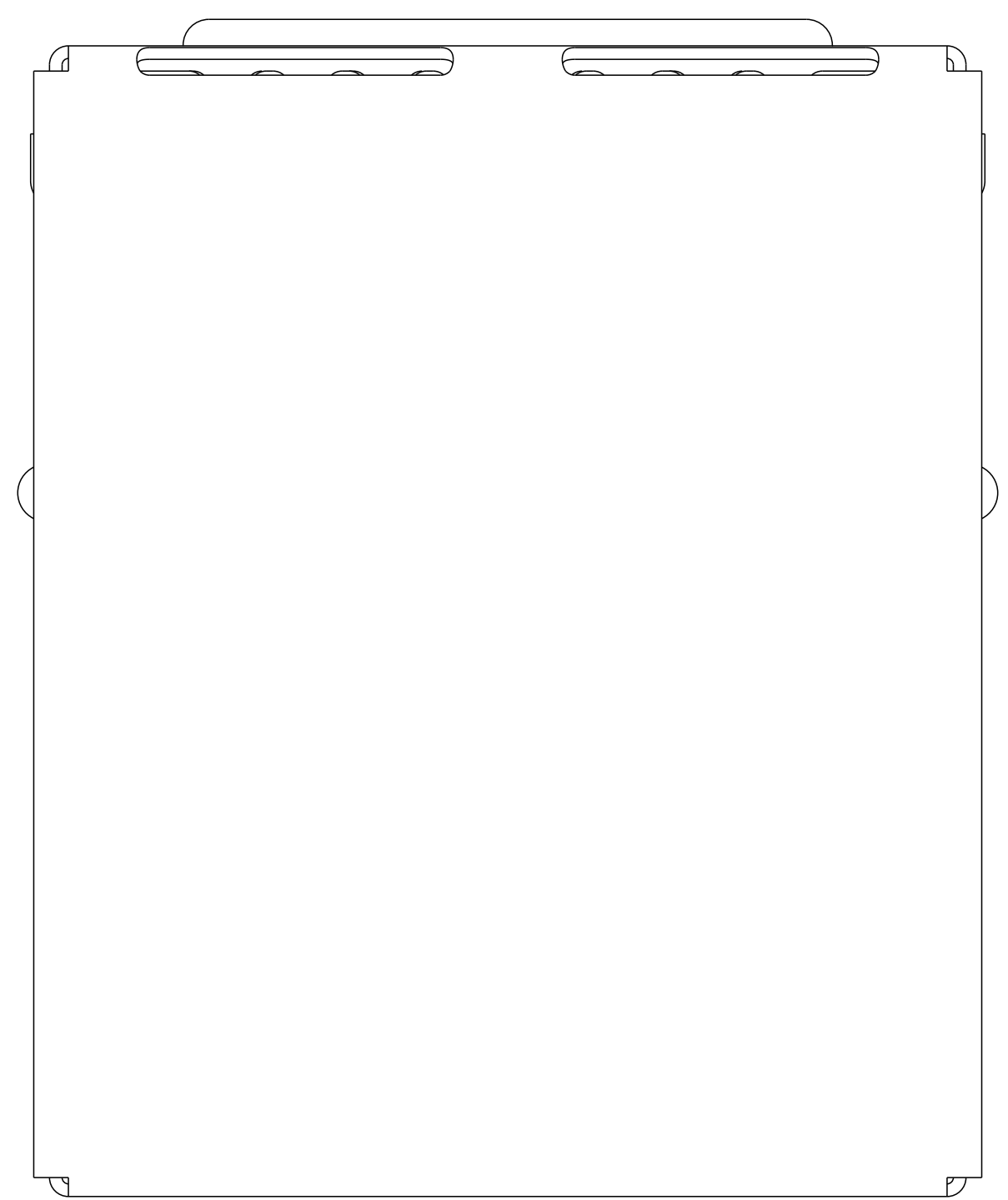
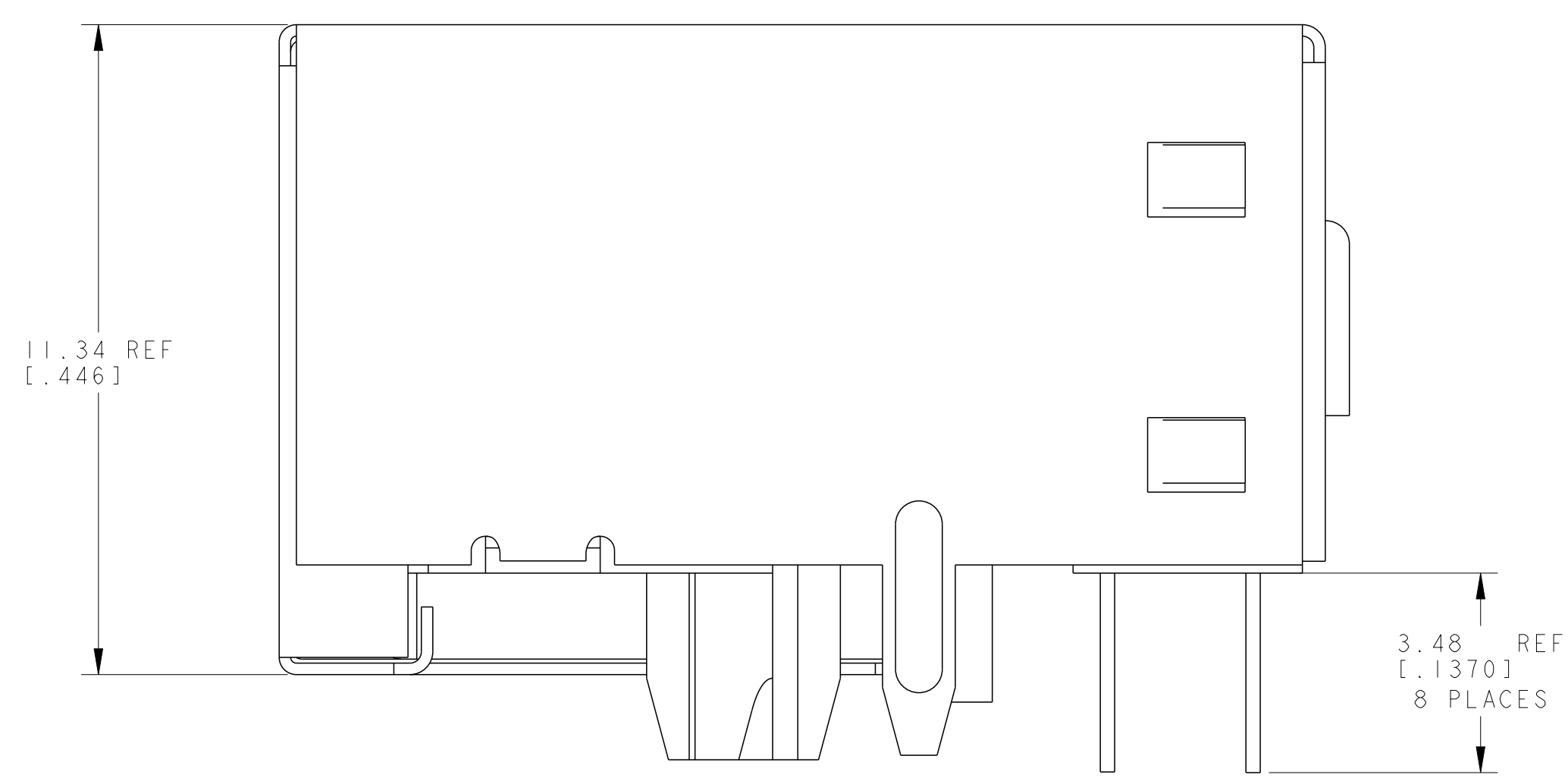
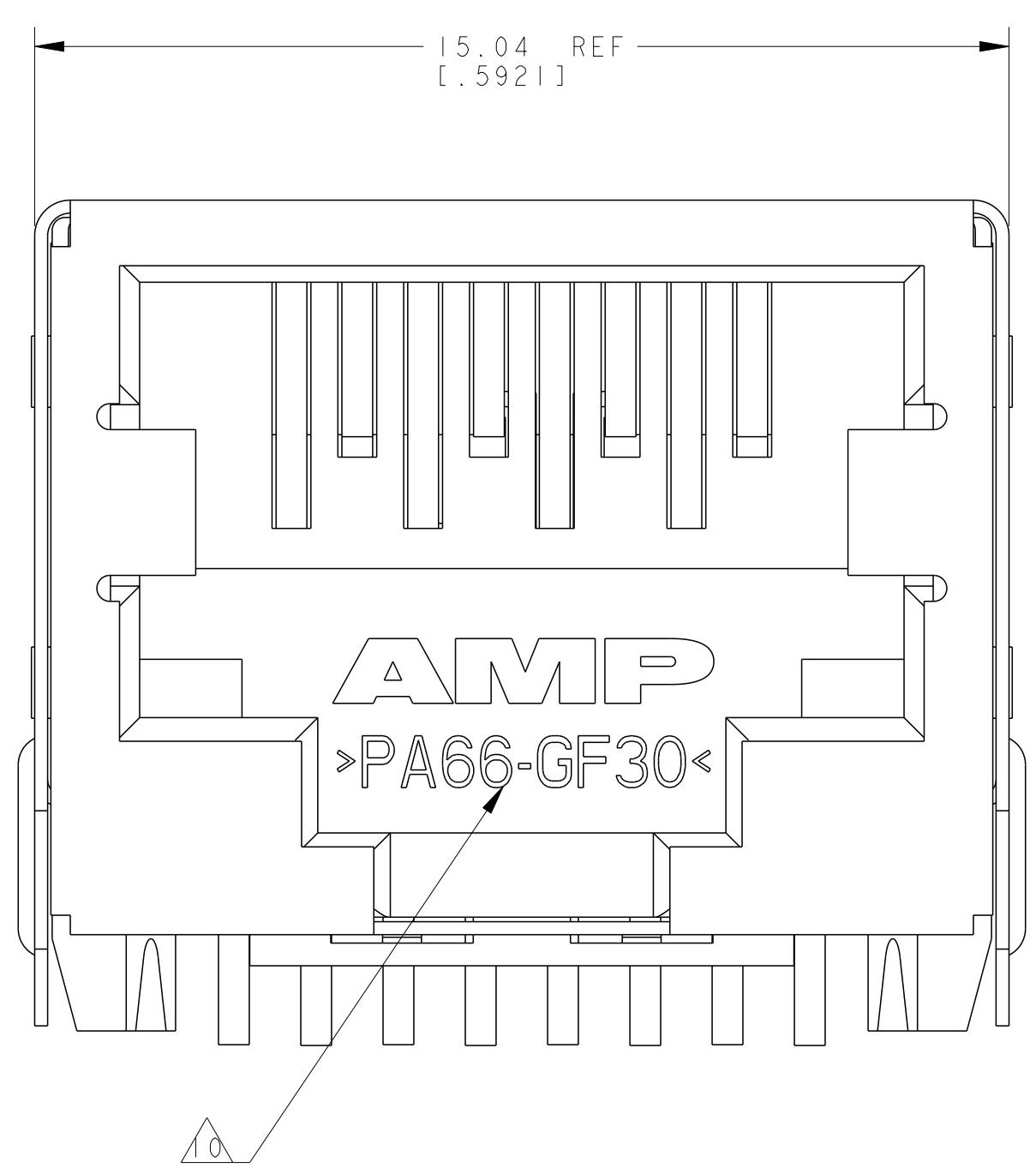
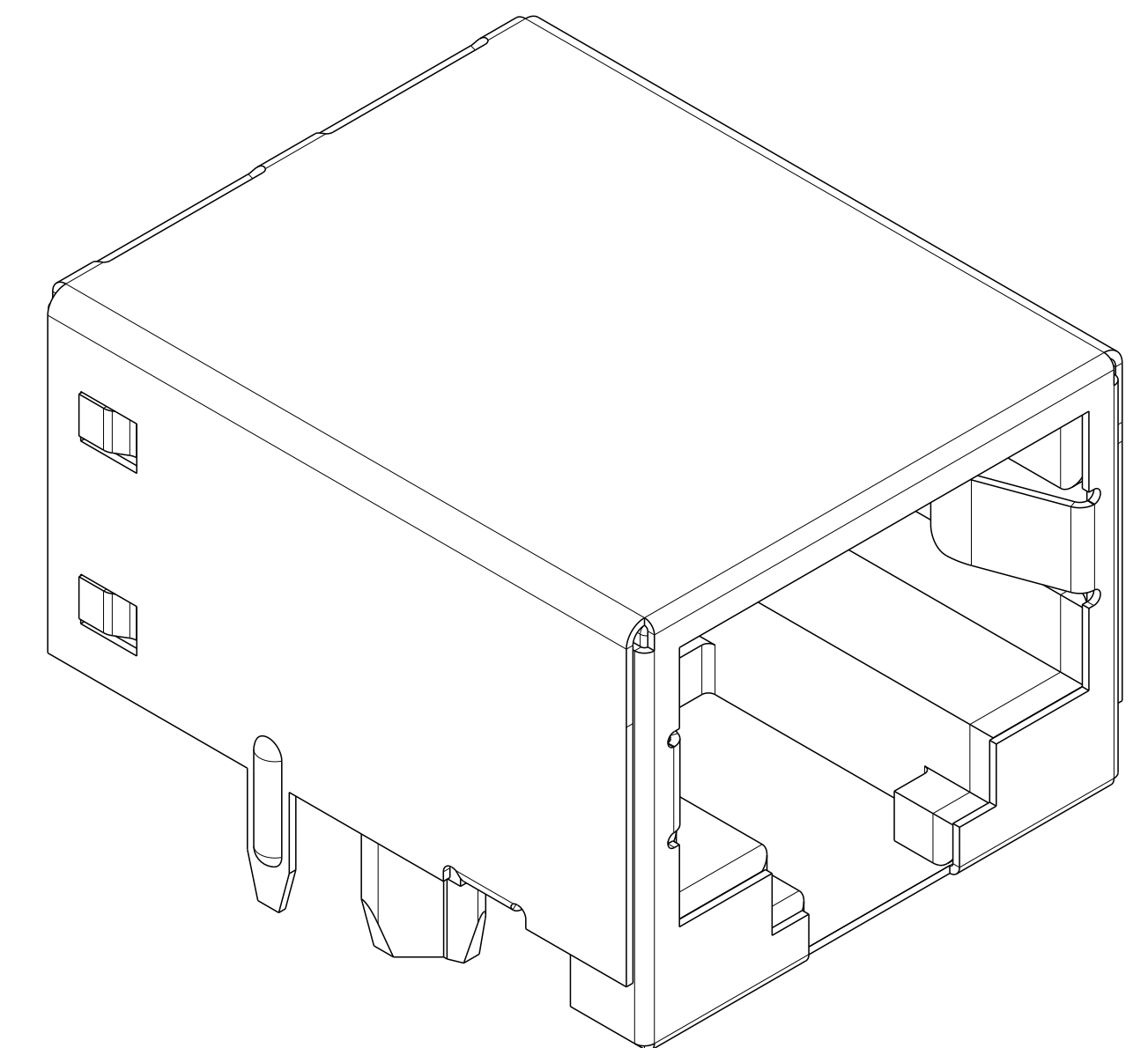
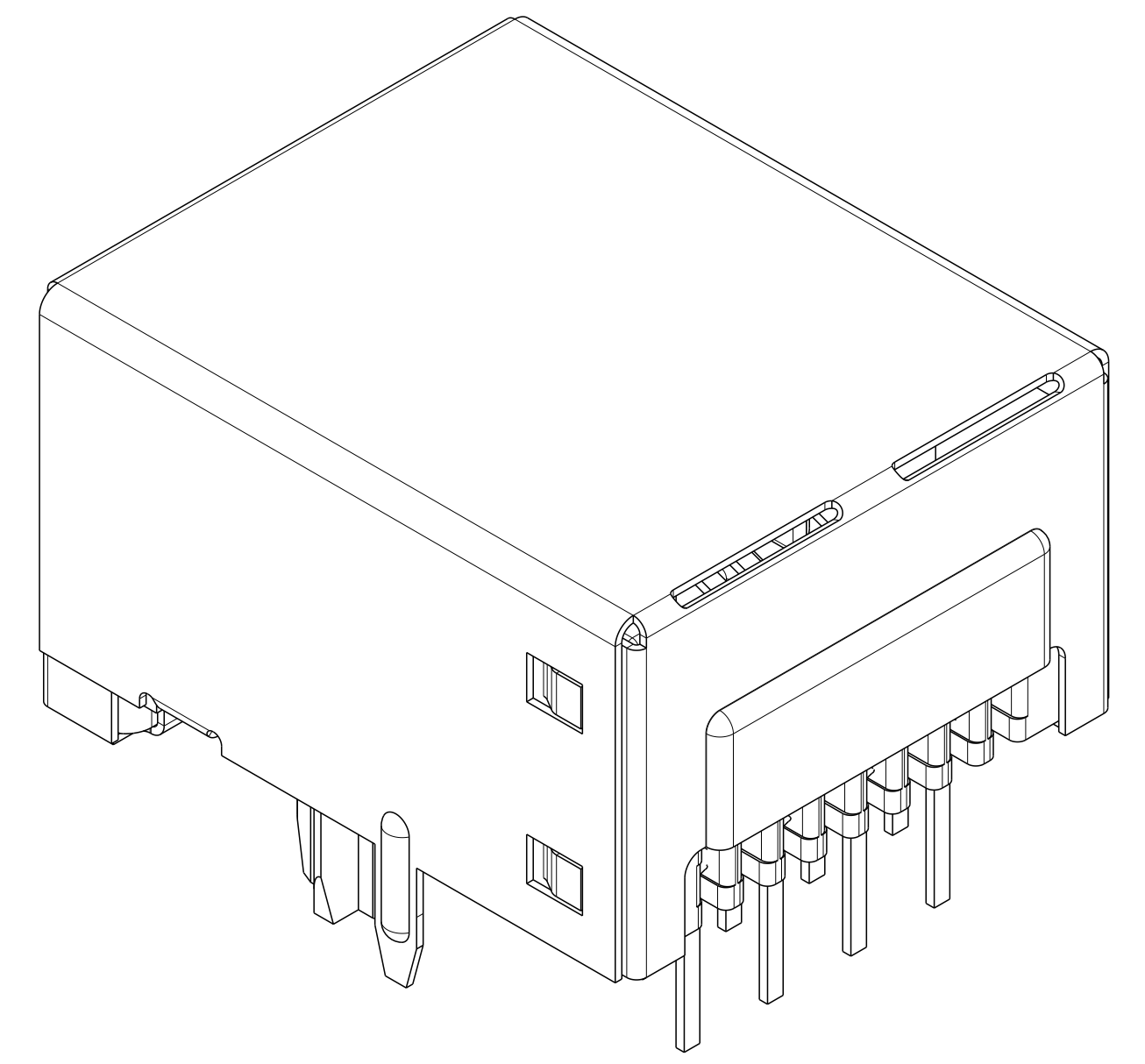




REVISIONS				
P	LTN	DESCRIPTION	DATE	APVD
-		SEE SHEET 1	-	-



ORTHOGRAPHIC & ISO VIEWS ADDED FOR 1888542-5 TO REPRESENT/SHOW IT DOESN'T COME W/ SIDE EMI FINGERS.



SHOWN IN SHEET 2: 1888542-5, ALL DIMENSIONS & FEATURES ARE SAME AS 1888542-4, ONLY DIFFERENCE IS 1888542-5 DOESN'T COME W/ SIDE EMI FINGERS.

TAPE & REEL	9 0 1	1888542-5
PACKAGE	MATERIAL / FINISH	PART NUMBER

THIS DRAWING IS A CONTROLLED DOCUMENT.		OWN: BRIAN KUHNLYZ & MAYER CHK: J. WESTMAN APVD: S. FLICKINGER	DATE: 01 JUNE 2006 DATE: 01 JUNE 2006 DATE: 01 JUNE 2006	NAME: MODULAR JACK ASSEMBLY, 8 POSITION, SHIELDED, 10mm, WAVE PANEL GROUND TABS	
DIMENSIONS: mm [INCHES]	TOLERANCES UNLESS OTHERWISE SPECIFIED:	PRODUCT SPEC	108-1163	SIZE	RESTRICTED TO
0 PLC ±	0 PLC ±0.131(.005)	APPLICATION SPEC	114-2048	CAGE CODE	
1 PLC ±				DRAWING NO	
2 PLC ±				WEIGHT	
3 PLC ±				3.49 grams	
4 PLC ±					
ANGLES					
FINISH					
MATERIAL: SEE TABLE	SEE TABLE	CUSTOMER DRAWING	SCALE: 1:1	SHEET 2 OF 2	REV E