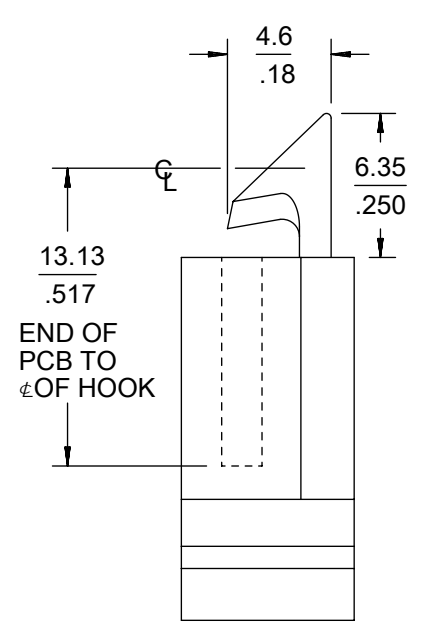
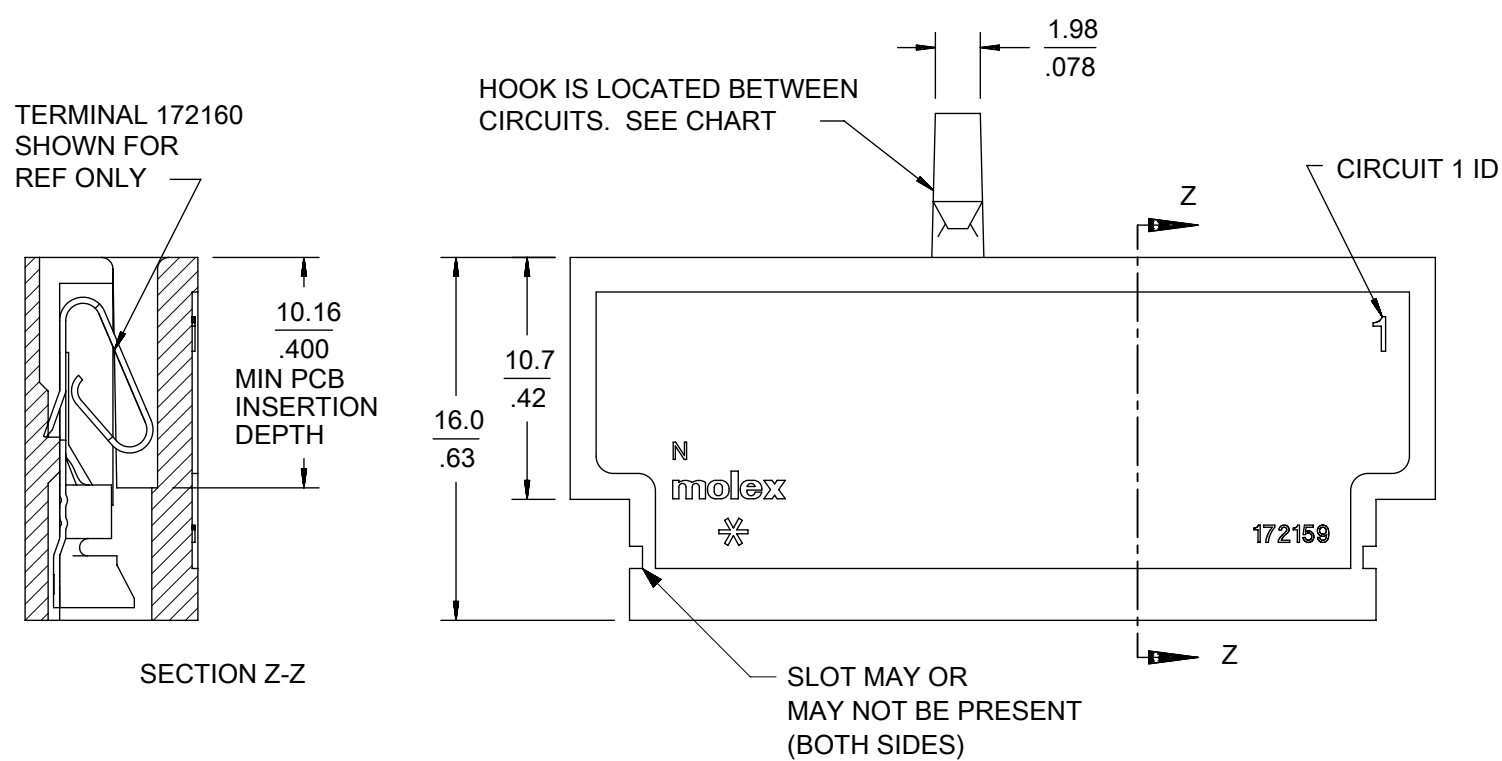
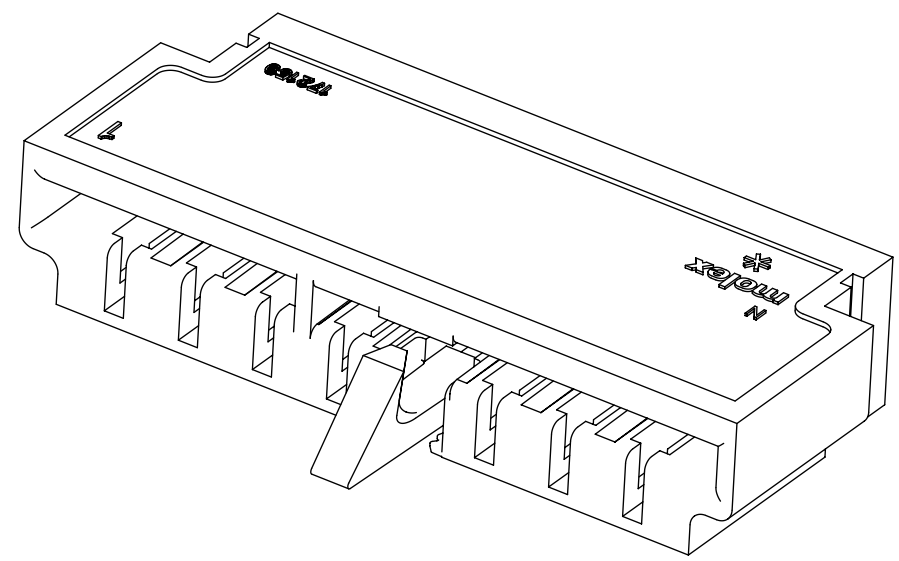


- NOTES:
1. MATERIAL: NYLON, UL 94V-2, WHITE
 2. FINISH: N/A
 3. PRODUCT SPECIFICATION: PS-172160-0001
 4. PACKAGING SPECIFICATION: PK-172159-0001
 5. COSMETIC SPEC: PS-45499-002 CLASS B
 6. HOUSING ACCEPTS TERMINAL: 172160
 7. THIS PART WITHOUT THE HOOK SEE SD-172159-0000
 8. DIMENSION TO BE 2.54-2.79/.100-.110 TO POLARIZE HOUSING AND PCB.

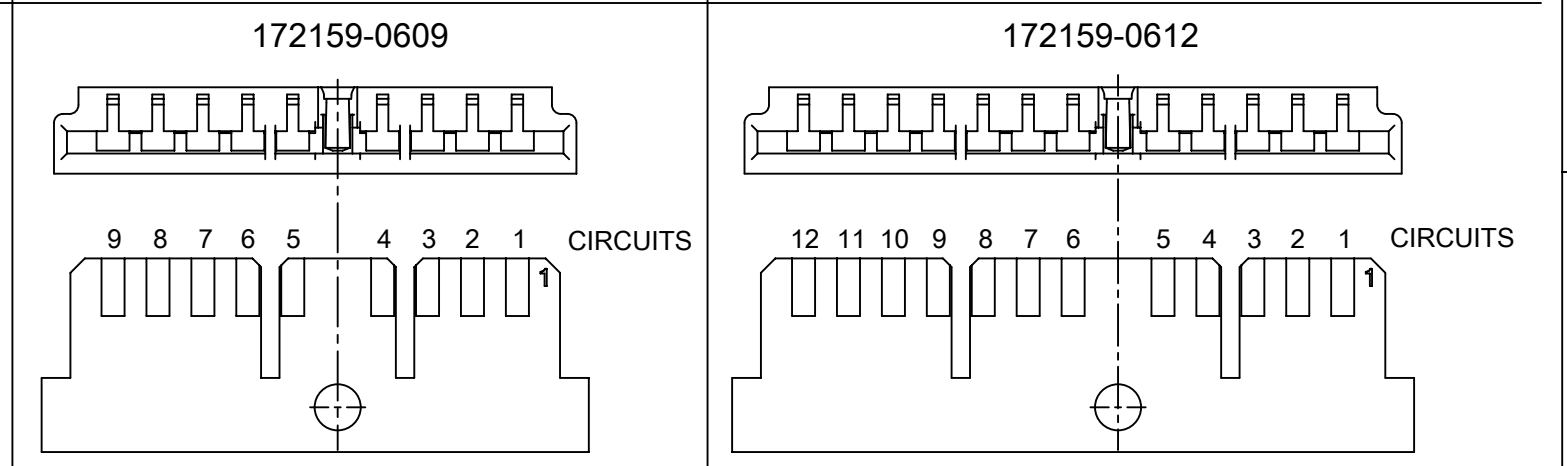
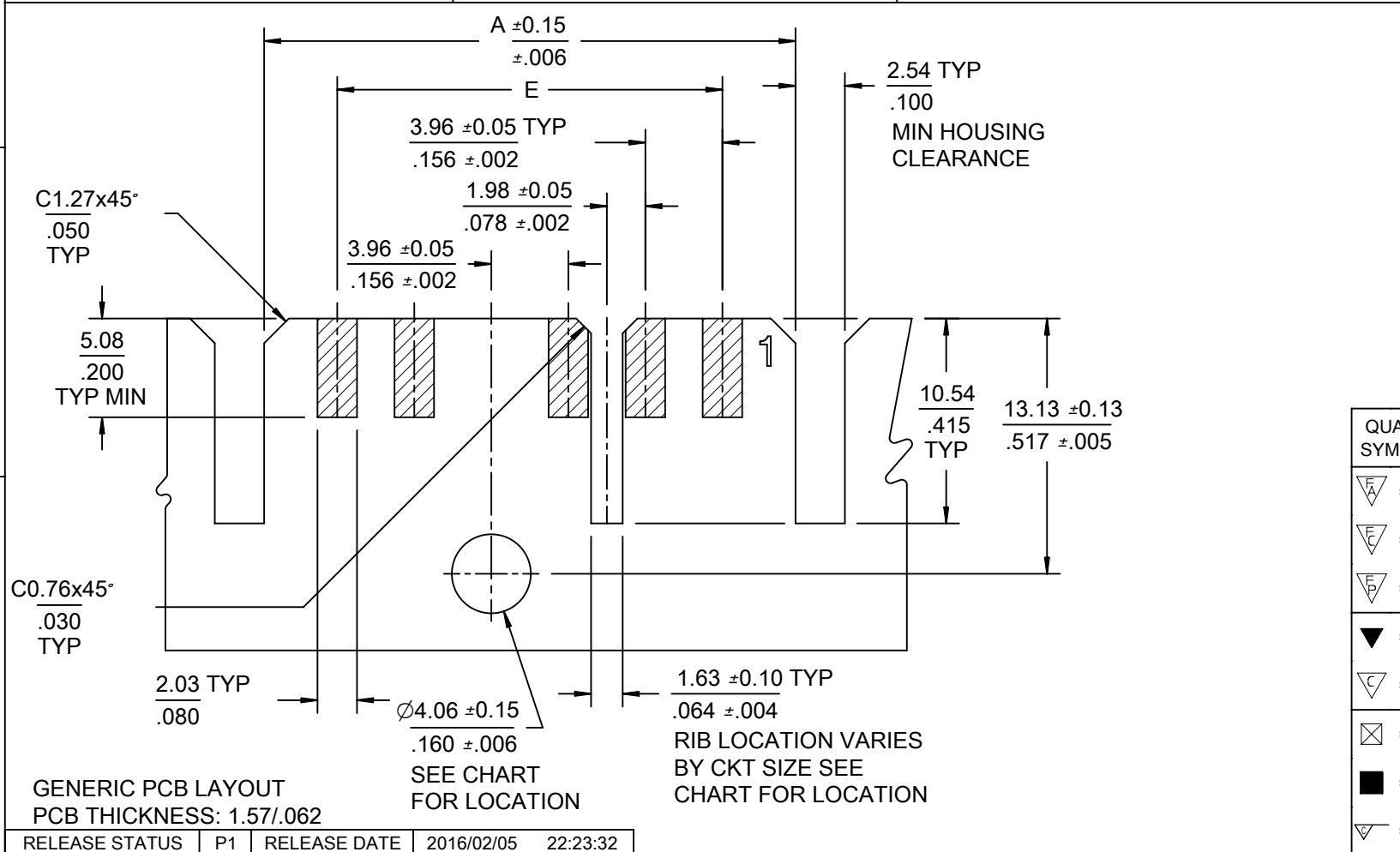
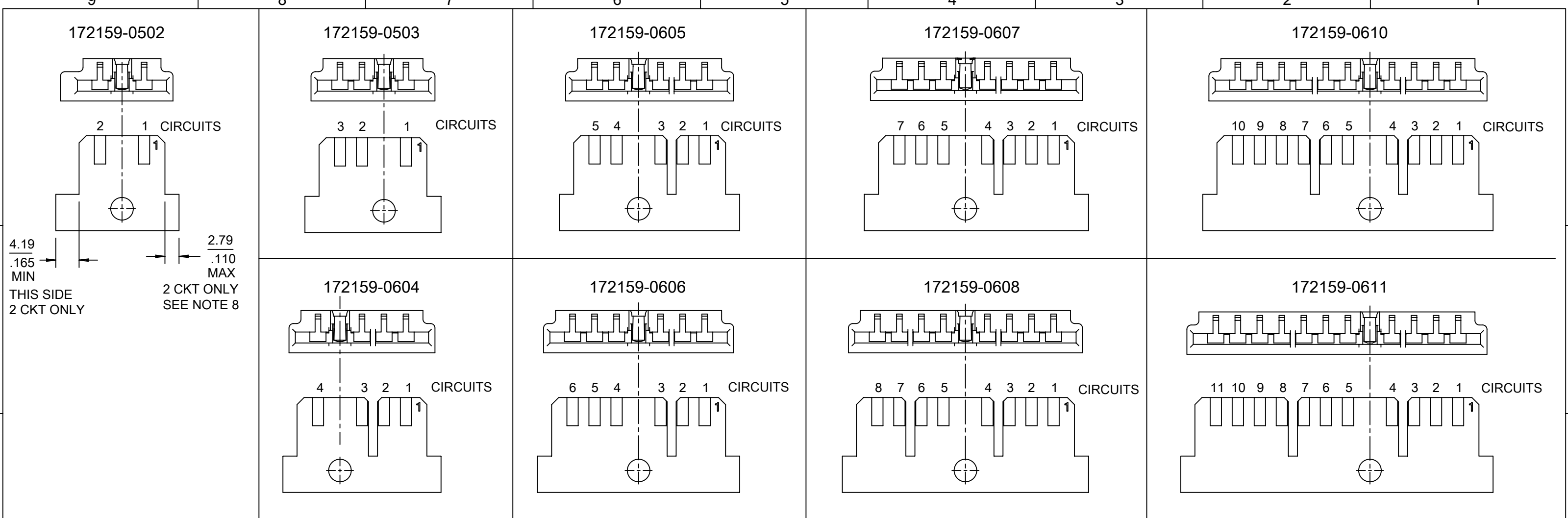


CKTS	MATERIAL NO	HOOK	POL RIB	DIM A	DIM B	DIM C	DIM E
02	172159-0502	1-2	N/A	15.70 .618	20.24 .797	16.05 .632	7.92 .312
03	172159-0503	1-2	N/A	19.66 .774	22.30 .878	20.02 .788	11.89 .468
04	172159-0604	3-4	2-3	23.42 .922	26.26 1.034	23.98 .944	15.85 .624
05	172159-0605	3-4	2-3	27.38 1.078	30.23 1.190	27.94 1.100	19.81 .780
06	172159-0606	3-4	2-3	31.29 1.232	34.19 1.346	31.90 1.256	23.77 .936
07	172159-0607	4-5	3-4	35.26 1.388	38.15 1.502	35.86 1.412	27.74 1.092
08	172159-0608	4-5	3-4, 6-7	39.22 1.544	42.11 1.658	39.83 1.568	31.70 1.248
09	172159-0609	4-5	3-4, 5-6	43.18 1.700	46.08 1.814	43.79 1.724	35.66 1.404
10	172159-0610	4-5	3-4, 6-7	47.09 1.854	50.04 1.970	47.75 1.880	39.62 1.560
11	172159-0611	4-5	3-4, 7-8	51.05 2.010	54.00 2.126	51.71 2.036	43.59 1.716
12	172159-0612	5-6	3-4, 8-9	54.97 2.164	57.96 2.282	55.68 2.192	47.55 1.872



THIS DRAWING CONTAINS INFORMATION THAT IS PROPRIETARY TO MOLEX ELECTRONIC TECHNOLOGIES, LLC AND SHOULD NOT BE USED WITHOUT WRITTEN PERMISSION

QUALITY SYMBOLS ▽ = 0 ▽ = 0 ▽ = 0 ▼ = 0 ▽ = 0 ▽ = 0 ⊠ = 0 ■ = 0 ▽ = 0	ADD SLOT NOTE EC NO: 101899 DRWN: MKIPPER CHK'D: FSMITH APPR: FSMITH	GENERAL TOLERANCES (UNLESS SPECIFIED) ANGULAR TOL ± 0.5 ° 4 PLACES ± 3 PLACES ± 2 PLACES ± 0.25 1 PLACE ± 0.38 0 PLACES ±	DIMENSION UNITS: MM/IN SCALE: 3:1 DRWN BY: KSAMIEC DATE: 2014/05/05 CHK'D BY: DATE: APPR BY: JCOMERCI DATE: 2014/05/19	 EDGEMATE CONNECTOR 3.96/.156 CENTER WITH HOOK PRODUCT CUSTOMER DRAWING			
		DRAFT WHERE APPLICABLE MUST REMAIN WITHIN DIMENSIONS	DRAWING SIZE: B THIRD ANGLE PROJECTION				
		RELEASE STATUS: P1 RELEASE DATE: 2016/02/05 22:23:32		DOCUMENT NUMBER: SD-172159-0002 DOC TYPE: PSD DOC PART: 000 SHEET NUMBER: 1 OF 2			



THIS DRAWING CONTAINS INFORMATION THAT IS PROPRIETARY TO MOLEX ELECTRONIC TECHNOLOGIES, LLC AND SHOULD NOT BE USED WITHOUT WRITTEN PERMISSION

QUALITY SYMBOLS	ADD SLOT NOTE EC NO: 101899 DRWN: MKIPPER CHKD: FSMITH APPR: FSMITH	GENERAL TOLERANCES (UNLESS SPECIFIED)	DIMENSION UNITS	SCALE	
		4 PLACES ± 3 PLACES ± 2 PLACES ± 0.25 1 PLACE ± 0.38 0 PLACES ±	MM/IN	1.5:1	
DRWN BY KSAMIEC	DATE	2014/05/05			
APPR BY JCOMERCI	DATE	2014/05/19			
		DRAFT WHERE APPLICABLE MUST REMAIN WITHIN DIMENSIONS	DRAWING SIZE	THIRD ANGLE PROJECTION	SERIES: 172159 MATERIAL NUMBER: SEE CHART CUSTOMER: GENERAL MARKET
			B		DOCUMENT NUMBER: SD-172159-0002 DOC TYPE: PSD DOC PART: 000 SHEET NUMBER: 2 OF 2