

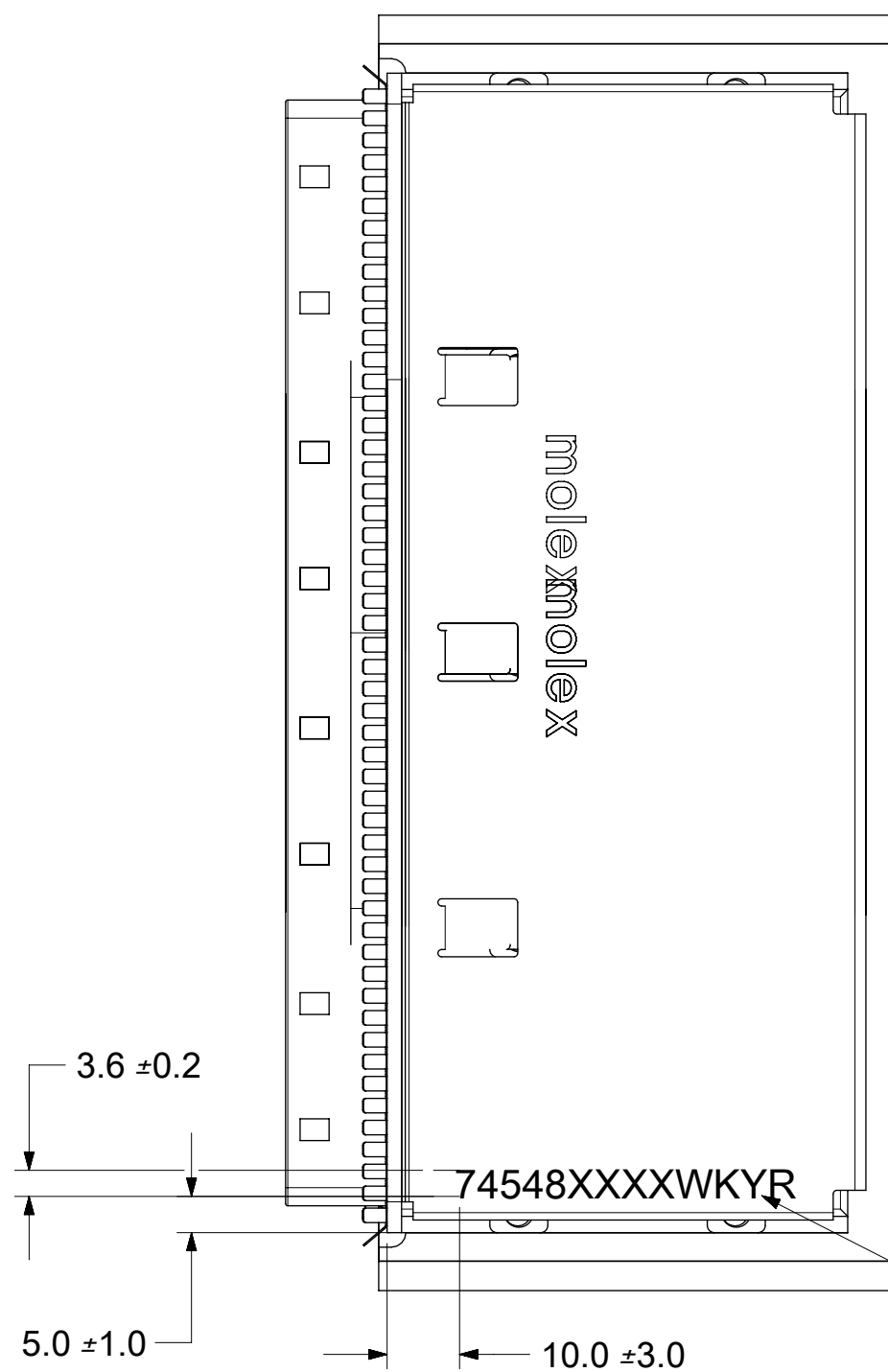
NOTES:

1. REF. PCI EXPRESS CARD ELECTROMECHANICAL SPECIFICATION, REV 1.0a FOR BRACKET WINDOW LOCATION.
2. PCB AND BRACKET SHOWN FOR REFERENCE ONLY.
3. REF. SD-74547-100 FOR KEY POSITIONS.
4. GUIDE HOUSING MOUNTING THREAD= M2 X 0.40, SEE SHEET 3 FOR SCREW LENGTH + TORQUE SPEC.
5. PLATE GROUND PAD WITH EMERSION SILVER OR GOLD.
6. MATERIAL:  
GUIDE HOUSING - ZINC DIECAST, NICKEL PLATED.  
COVER - STAINLESS STEEL.  
GASKET: CONDUCTIVE ELASTOMER
7. NO RoHS EXEMPTIONS.
8. GUIDE HOUSING PEGS FOR ALIGNMENT ONLY, DO NOT SOLDER.

PART NUMBER	SW	OAW	PORT SIZE	KEY(S) PORT1	KEY(S) PORT2	KEY(S) PORT3	KEY(S) PORT4	IDENTIFIERS	ELASTOMERIC GASKET FLAMMABILITY RATING
745480105	76.29	79.99	4	4	4	4	4	SAS UNIVERSAL PORT	94HB

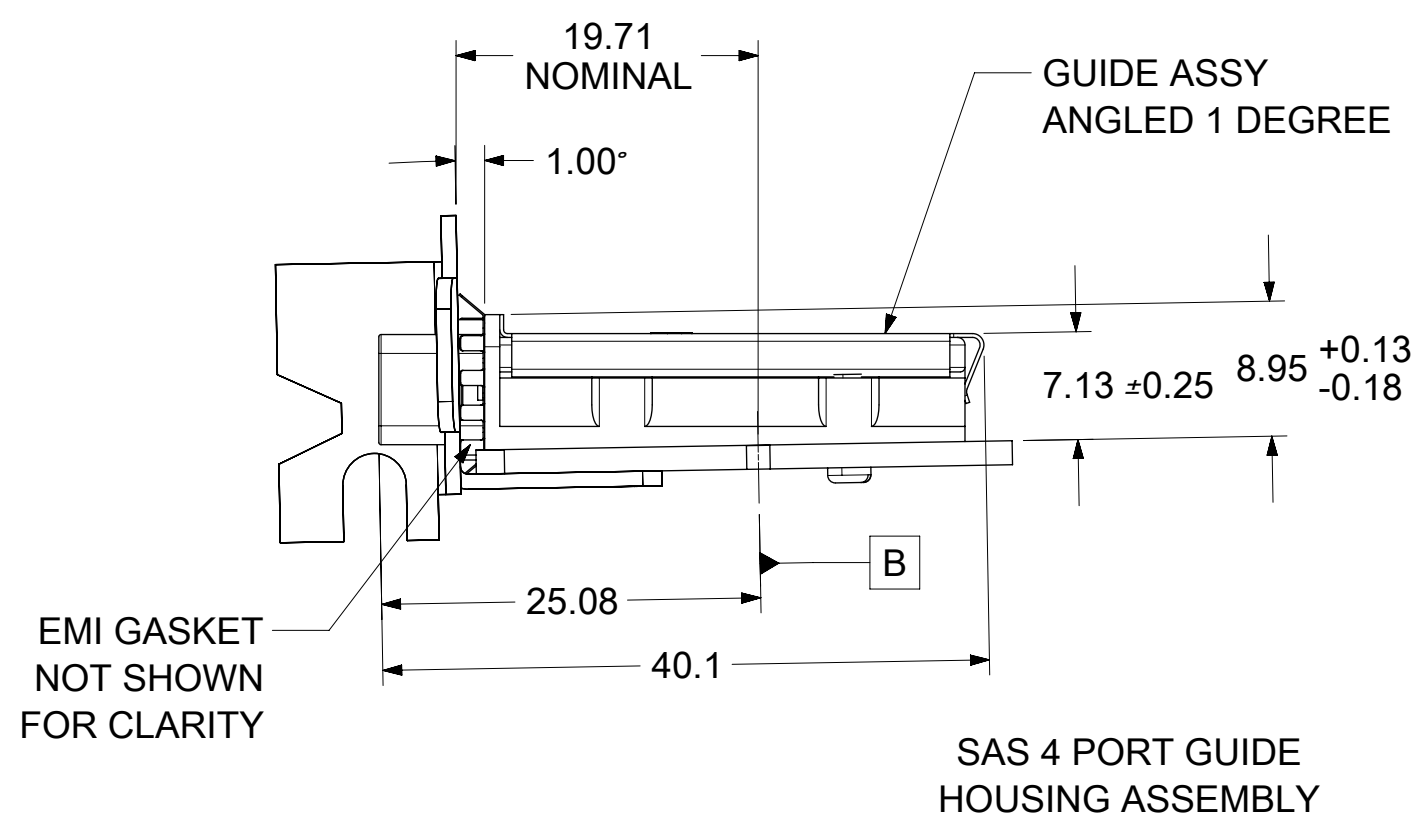
THIS DRAWING CONTAINS INFORMATION THAT IS PROPRIETARY TO MOLEX ELECTRONIC TECHNOLOGIES, LLC AND SHOULD NOT BE USED WITHOUT WRITTEN PERMISSION

DIMENSION UNITS	SCALE	CURRENT REV DESC: OBSOLETE PART NUMBER		<b>molex</b>	
mm	2:1				
GENERAL TOLERANCES (UNLESS SPECIFIED)		EC NO: 644856		I-PASS 26CKT ONE DEG. EMI GUIDE RAIL HOUSING ASSEMBLY, MULTI PORT	
ANGULAR TOL	± 1.0°	DRWN: VLOKESHA	2020/08/06	PRODUCT CUSTOMER DRAWING	
4 PLACES	±	CHK'D: GGA	2020/10/07	DOCUMENT NUMBER	
3 PLACES	±	APPR: GGA	2020/10/07	745480100	
2 PLACES	± 0.13	INITIAL REVISION:		DOC TYPE	DOC PART
1 PLACE	± 0.25	DRWN: BBEGALIMADHU	2018/01/04	PSD	ASY
0 PLACES	±	APPR: RCHEN08	2018/01/25	T2	
DRAFT WHERE APPLICABLE MUST REMAIN WITHIN DIMENSIONS		THIRD ANGLE PROJECTION	DRAWING	SERIES	MATERIAL NUMBER
			C-SIZE	74548	SEE P/N TABLE
					CUSTOMER
					SHEET NUMBER
					1 OF 5



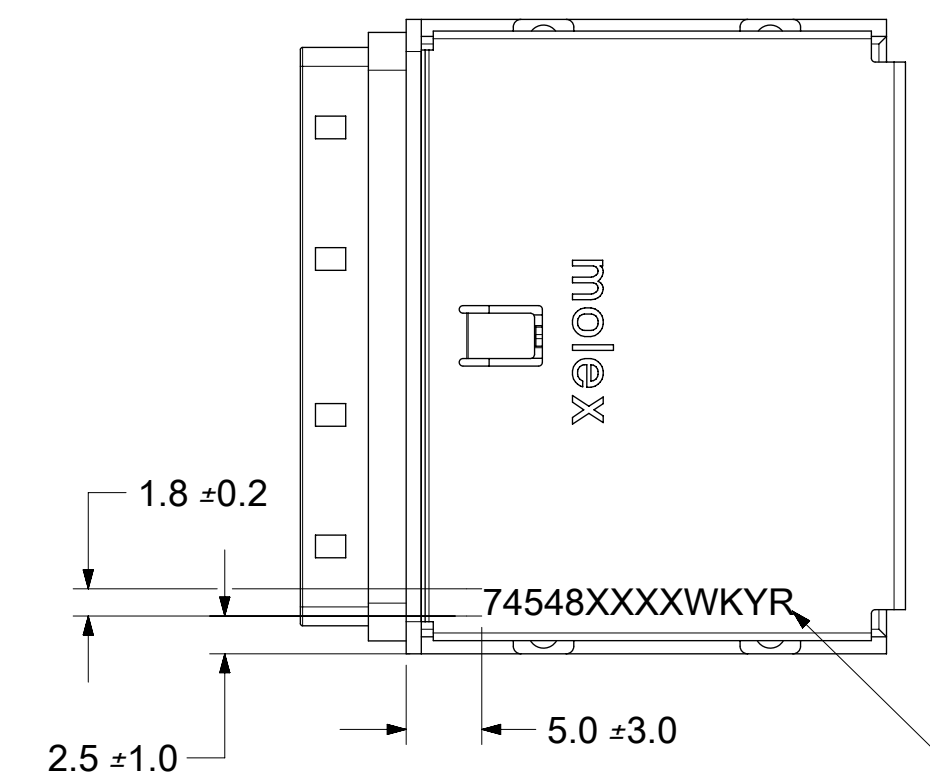
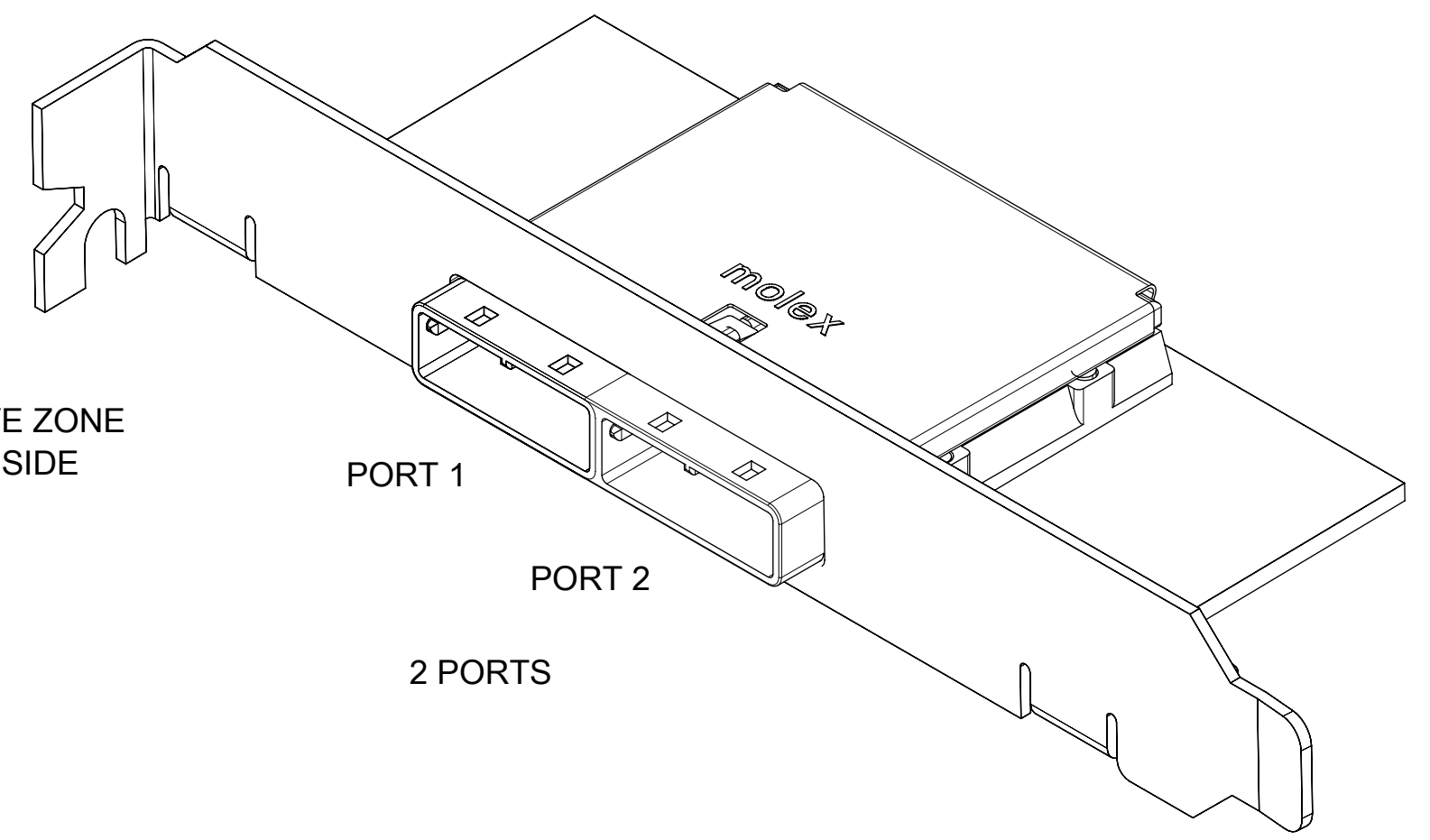
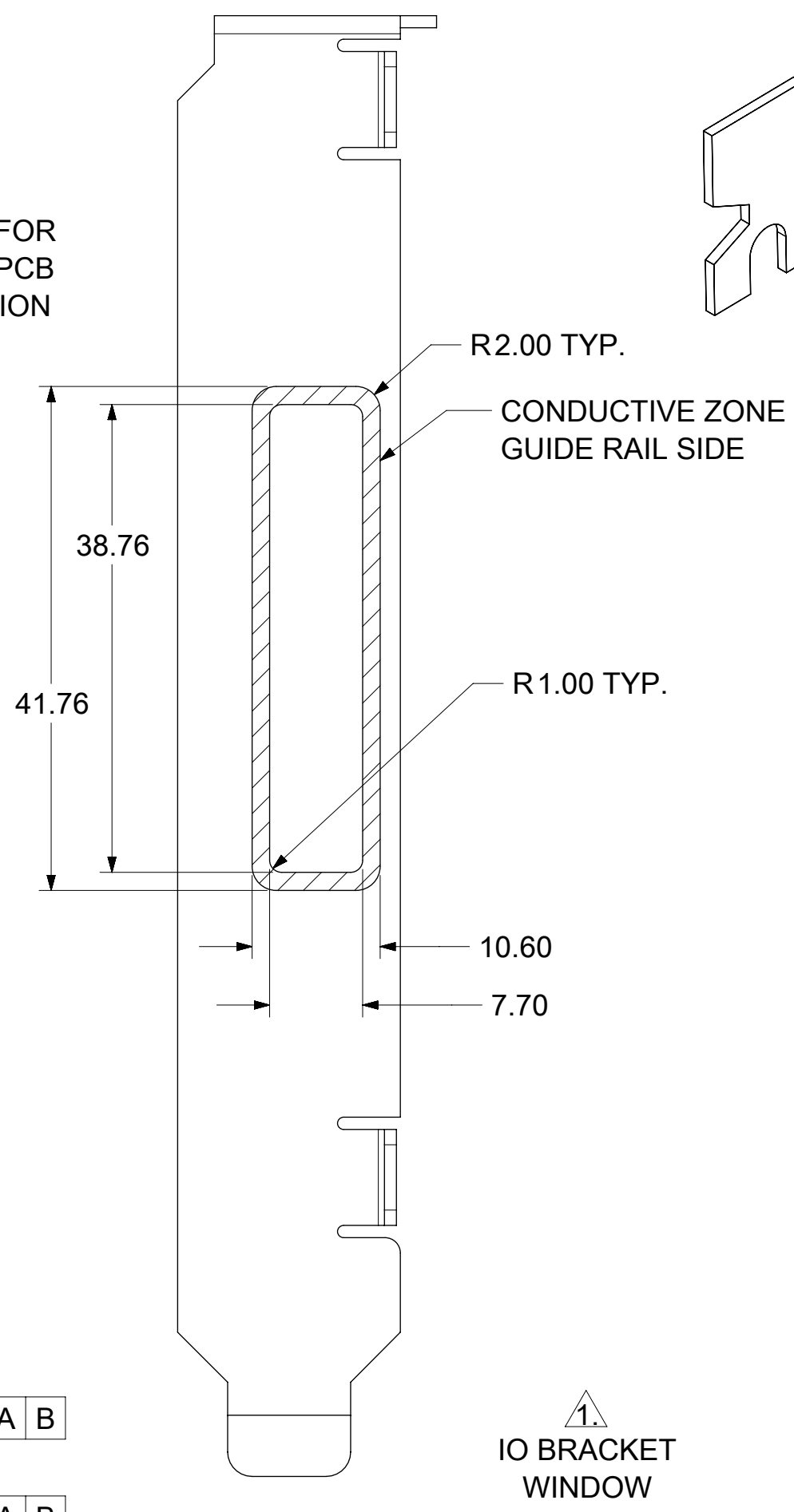
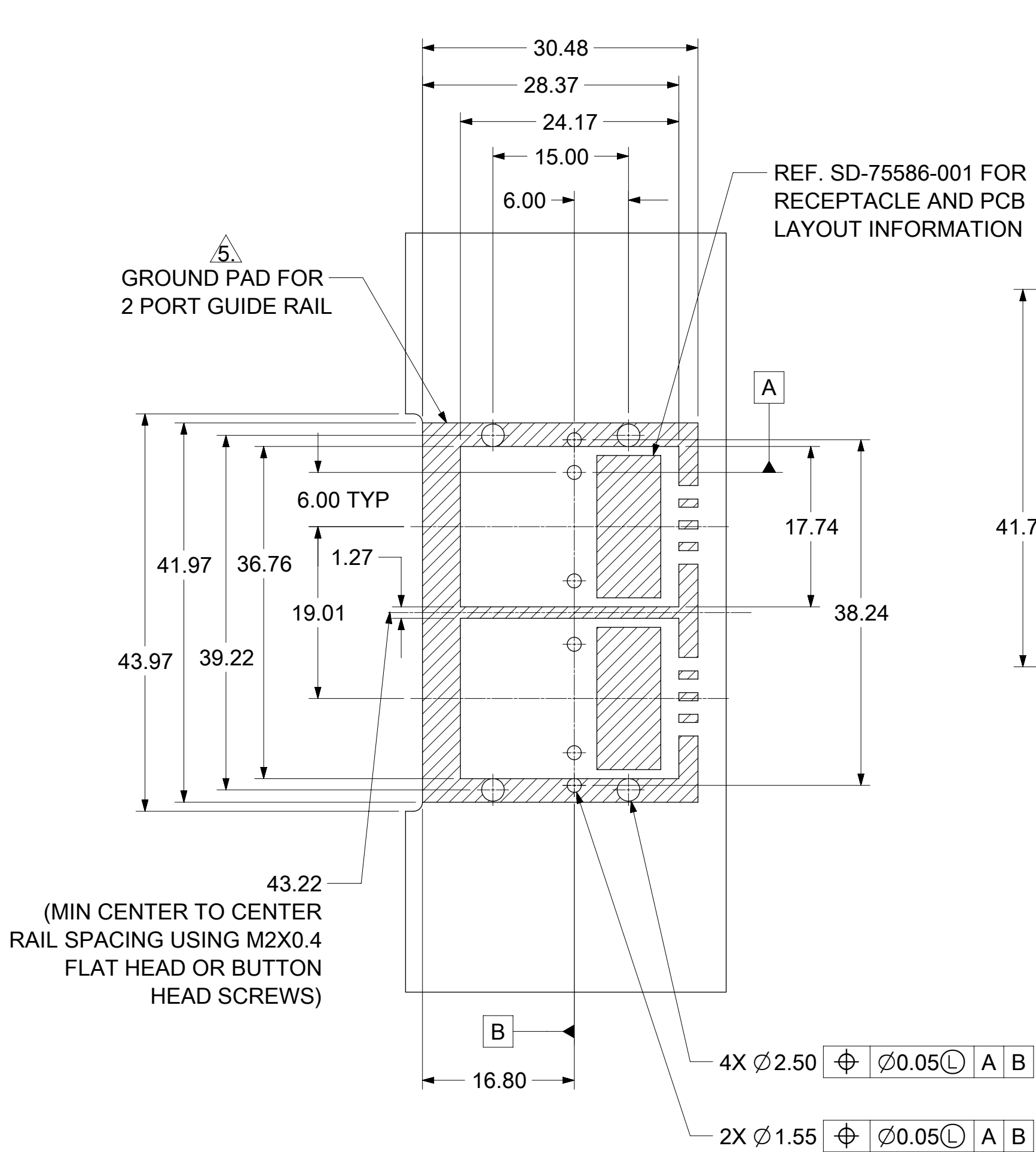
P/N AND WEEK/YEAR DATE CODE TO BE PRINTED ON THE TOP OF COMPLETED CAGE ASSEMBLY AS SHOWN. SEE TABLE BELOW FOR DATE CODE INFORMATION.

WEEK/YEAR DATE CODE TABLE	
WK	WEEK OF THE YEAR 01 THRU 52 (EXAMPLE: 01= FIRST WEEK OF YEAR 52= LAST WEEK OF YEAR)
YR	18, 19, 20 ETC.. (EXAMPLE: YEAR 2018= 18)



THIS DRAWING CONTAINS INFORMATION THAT IS PROPRIETARY TO MOLEX ELECTRONIC TECHNOLOGIES, LLC AND SHOULD NOT BE USED WITHOUT WRITTEN PERMISSION										
DIMENSION UNITS	SCALE	CURRENT REV DESC: OBSOLETE PART NUMBER								
mm	1:1									
GENERAL TOLERANCES (UNLESS SPECIFIED)					I-PASS 26CKT ONE DEG. EMI GUIDE RAIL HOUSING ASSEMBLY, MULTI PORT					
ANGULAR TOL	± 1.0°	EC NO: 644856			PRODUCT CUSTOMER DRAWING					
4 PLACES	±	DRWN: VLOKESHA 2020/08/06			DOCUMENT NUMBER					
3 PLACES	±	CHK'D: GGA 2020/10/07			745480100					
2 PLACES	± 0.13	APPR: GGA 2020/10/07			DOC TYPE			DOC PART		REVISION
1 PLACE	± 0.25	INITIAL REVISION:			PSD ASY T2					
0 PLACES	±	DRWN: BBEGALIMADHU 2018/01/04			MATERIAL NUMBER					
DRAFT WHERE APPLICABLE MUST REMAIN WITHIN DIMENSIONS		THIRD ANGLE PROJECTION		DRAWING	SERIES	CUSTOMER		SHEET NUMBER		
				C-SIZE	74548	SEE P/N TABLE		2 OF 5		

DOCUMENT STATUS	P1	RELEASE DATE	2020/10/07 13:34:38
-----------------	----	--------------	---------------------



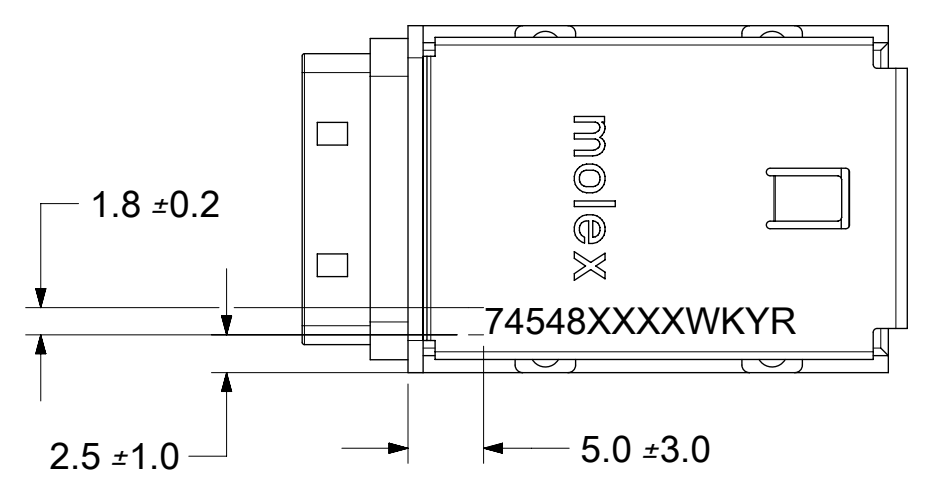
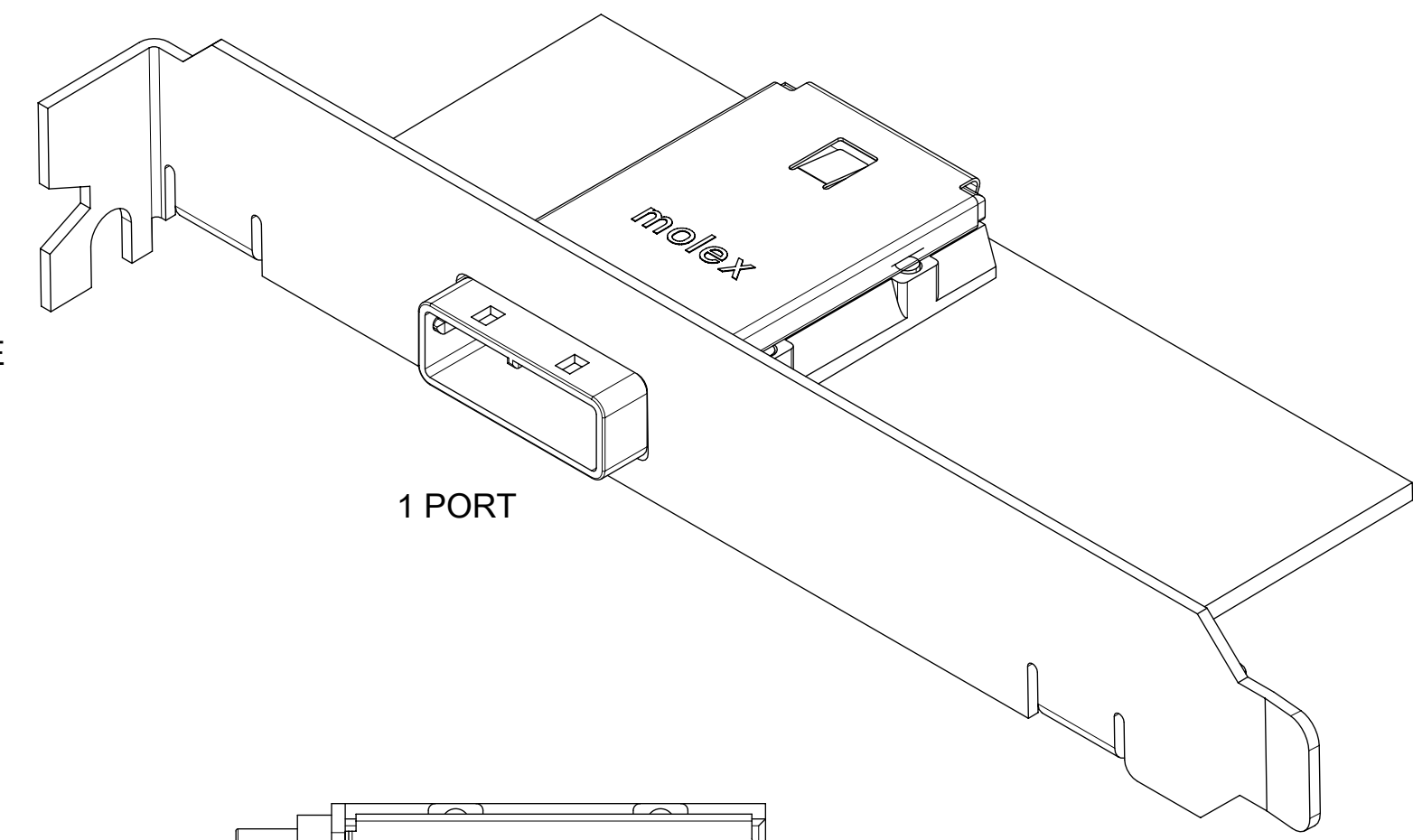
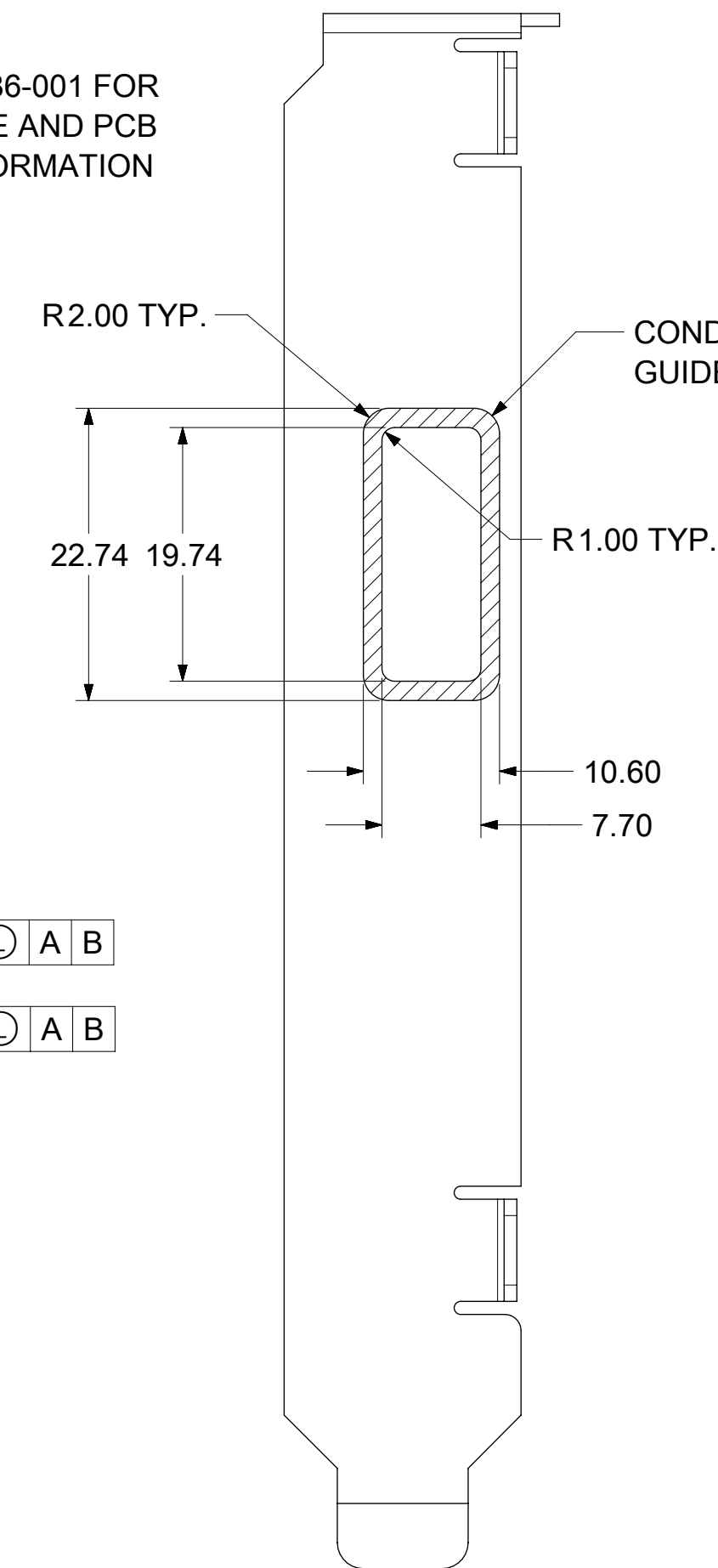
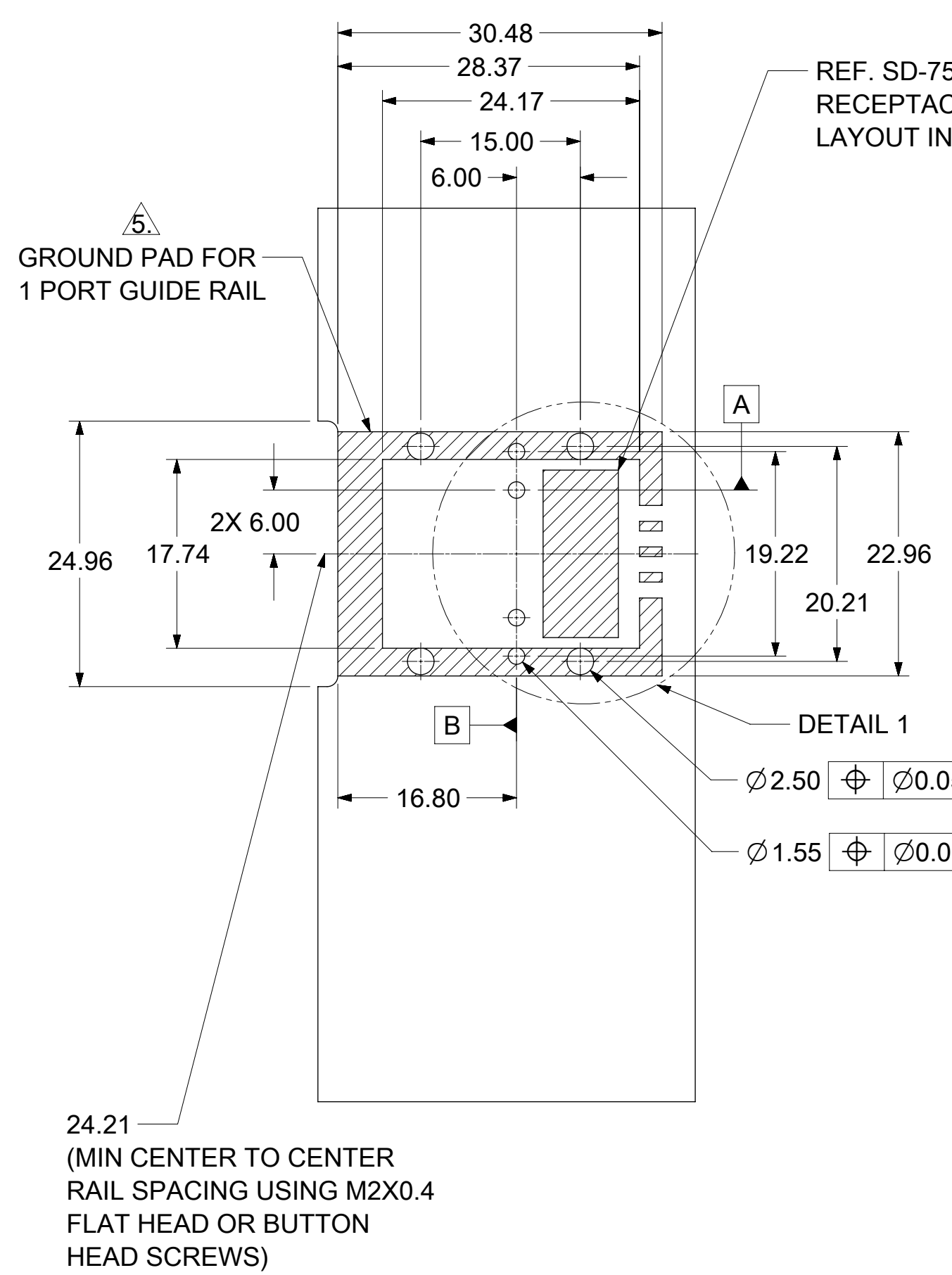
P/N AND WEEK/YEAR DATE CODE TO BE PRINTED ON THE TOP OF COMPLETED CAGE ASSEMBLY AS SHOWN. SEE TABLE BELOW FOR DATE CODE INFORMATION.

WEEK/YEAR DATE CODE TABLE	
WK	WEEK OF THE YEAR 01 THRU 52 (EXAMPLE: 01= FIRST WEEK OF YEAR 52= LAST WEEK OF YEAR)
YR	18, 19, 20 ETC.. (EXAMPLE: YEAR 2018= 18)

PART NUMBER	SW	OAW	PORT SIZE	KEY(S) PORT1	KEY(S) PORT2	IDENTIFIERS	ELASTOMERIC GASKET FLAMMABILITY RATING
745480108	38.26	41.96	2	4	4	SAS UNIVERSAL PORT	94HB

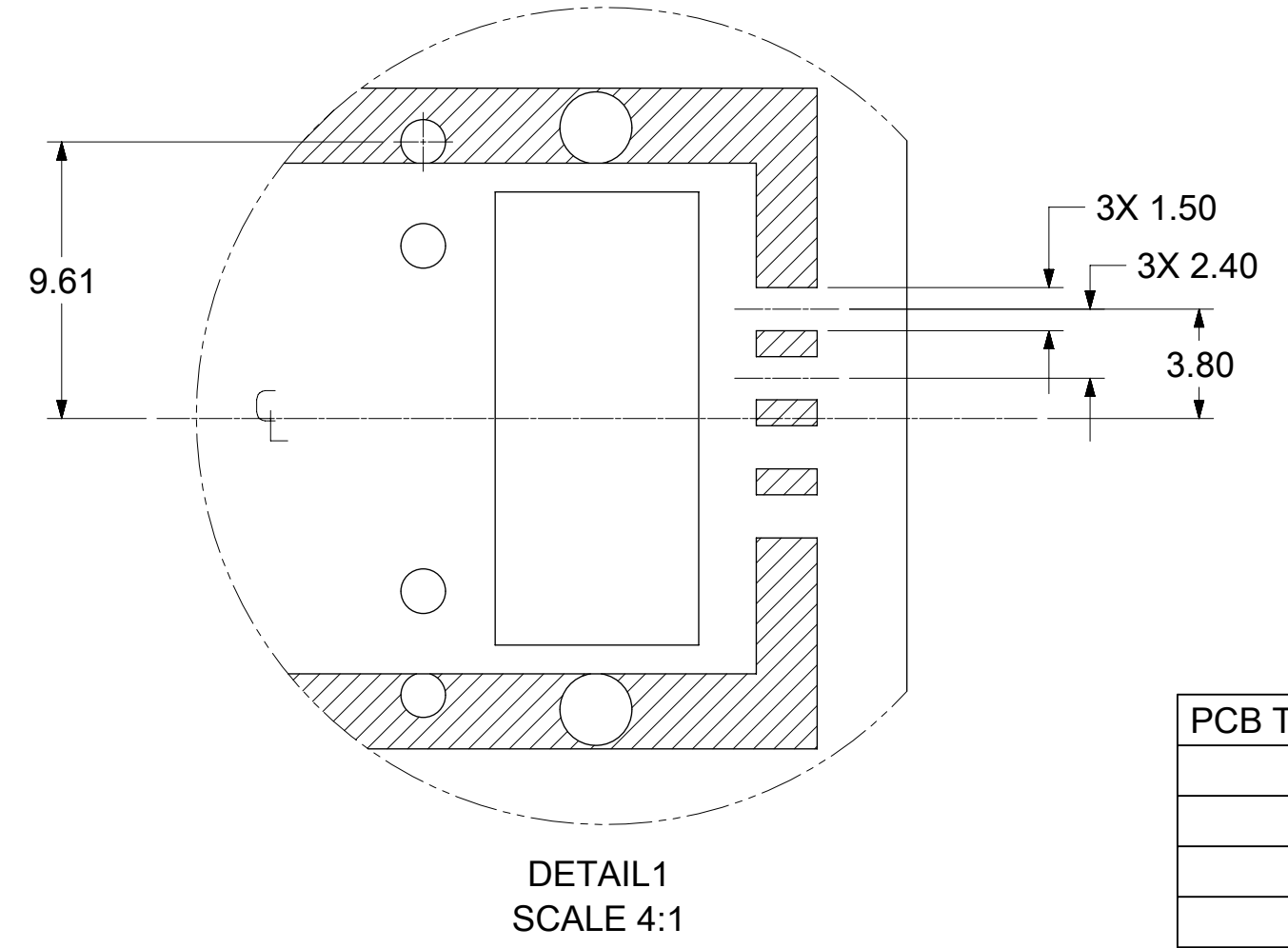
THIS DRAWING CONTAINS INFORMATION THAT IS PROPRIETARY TO MOLEX ELECTRONIC TECHNOLOGIES, LLC AND SHOULD NOT BE USED WITHOUT WRITTEN PERMISSION

DIMENSION UNITS	SCALE	CURRENT REV DESC: OBSOLETE PART NUMBER		<b>molex</b>			
mm	2:1						
GENERAL TOLERANCES (UNLESS SPECIFIED)				I-PASS 26CKT ONE DEG. EMI GUIDE RAIL HOUSING ASSEMBLY, MULTI PORT			
ANGULAR TOL	± 1.0°	EC NO: 644856		PRODUCT CUSTOMER DRAWING			
4 PLACES	±	DRWN: VLOKESHA		DOCUMENT NUMBER			
3 PLACES	±	CHK'D: GGA		745480100			
2 PLACES	± 0.13	APPR: GGA		DOC TYPE DOC PART REVISION			
1 PLACE	± 0.25	INITIAL REVISION:		PSD ASY T2			
0 PLACES	±	DRWN: BBEGALIMADHU		MATERIAL NUMBER			
DRAFT WHERE APPLICABLE MUST REMAIN WITHIN DIMENSIONS		APPR: RCHEN08		CUSTOMER			
THIRD ANGLE PROJECTION		DRAWING		SHEET NUMBER			
C-SIZE		SERIES		SEE P/N TABLE			
74548		74548		3 OF 5			



P/N AND WEEK/YEAR DATE CODE TO BE PRINTED ON THE TOP OF COMPLETED CAGE ASSEMBLY AS SHOWN. SEE TABLE BELOW FOR DATE CODE INFORMATION.

WEEK/YEAR DATE CODE TABLE	
WK	WEEK OF THE YEAR 01 THRU 52 (EXAMPLE: 01= FIRST WEEK OF YEAR 52= LAST WEEK OF YEAR)
YR	18, 19, 20 ETC.. (EXAMPLE: YEAR 2018= 18)



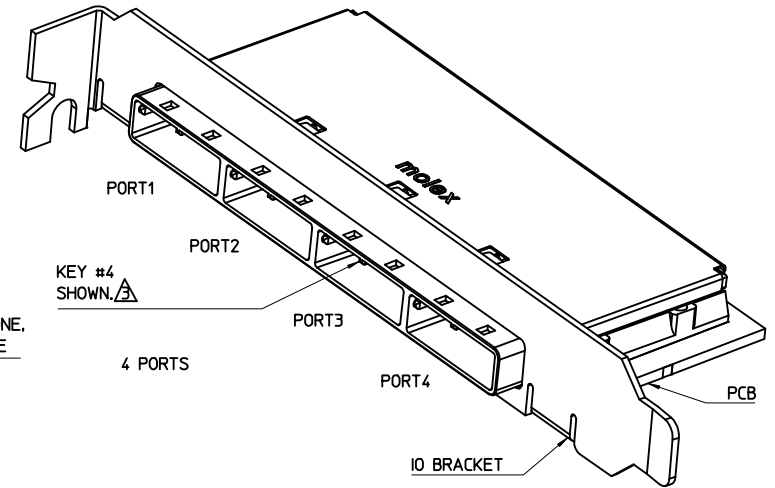
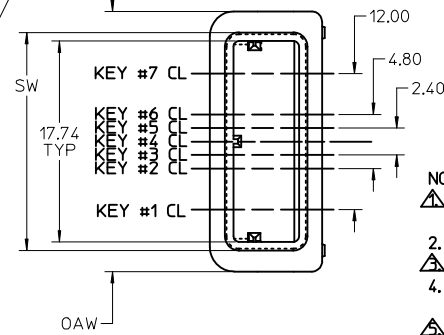
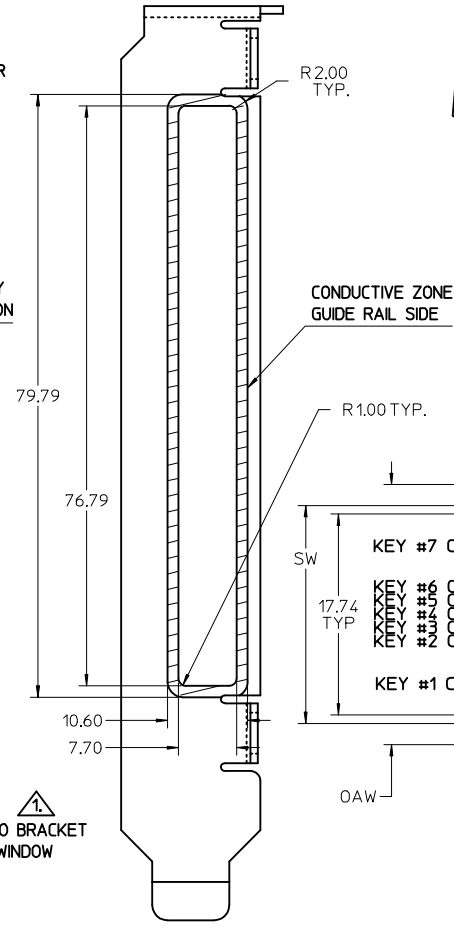
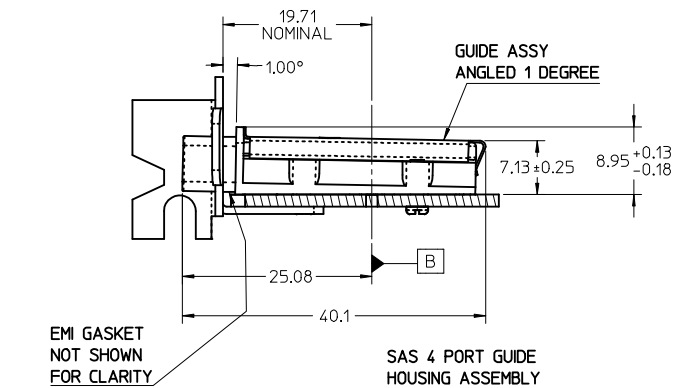
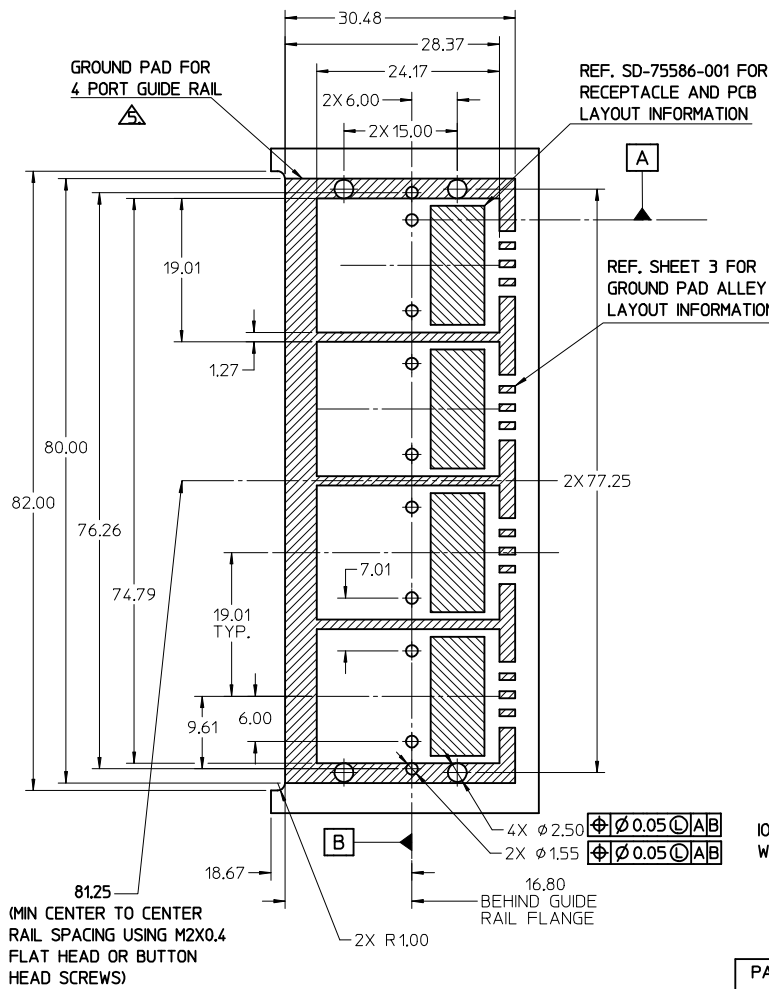
PCB THICKNESS	SCREW LENGTH	TORQUE(IN LBS)
1.6	5MM	2.3
2.38	6MM	2.3
3.2	6MM	2.3
X	+4MM MAX	2.3

PART NUMBER	SW	OAW	PORT SIZE	KEY(S)	IDENTIFIERS	ELASTOMERIC GASKET FLAMMABILITY RATING
745480111	19.24	22.95	1	4	SAS UNIVERSAL PORT	94HB

THIS DRAWING CONTAINS INFORMATION THAT IS PROPRIETARY TO MOLEX ELECTRONIC TECHNOLOGIES, LLC AND SHOULD NOT BE USED WITHOUT WRITTEN PERMISSION

DIMENSION UNITS <b>mm</b>	SCALE <b>2:1</b>	CURRENT REV DESC: OBSOLETE PART NUMBER	<b>molex</b>			
GENERAL TOLERANCES (UNLESS SPECIFIED)						
ANGULAR TOL ± 1.0°	EC NO: 644856		I-PASS 26CKT ONE DEG. EMI GUIDE RAIL HOUSING ASSEMBLY, MULTI PORT			
4 PLACES ±	DRWN: VLOKESHA	2020/08/06	PRODUCT CUSTOMER DRAWING			
3 PLACES ±	CHK'D: GGA	2020/10/07	DOCUMENT NUMBER			
2 PLACES ± 0.13	APPR: GGA	2020/10/07	745480100			
1 PLACE ± 0.25	INITIAL REVISION:		DOC TYPE DOC PART REVISION			
0 PLACES ±	DRWN: BBEGALIMADHU	2018/01/04	PSD ASY T2			
	APPR: RCHEN08	2018/01/25	SHEET NUMBER			
DRAFT WHERE APPLICABLE MUST REMAIN WITHIN DIMENSIONS	THIRD ANGLE PROJECTION	DRAWING	SERIES	MATERIAL NUMBER	CUSTOMER	
		C-SIZE	74548	SEE P/N TABLE		4 OF 5





- NOTES:
- REF. PCI EXPRESS CARD ELECTROMECHANICAL SPECIFICATION, REV 1.0a FOR BRACKET WINDOW LOCATION.
  - PCB AND BRACKET SHOWN FOR REFERENCE ONLY.
  - REF. SD-74547-100 FOR KEY POSITIONS.
  - GUIDE HOUSING MOUNTING THREAD= M2 X 0.40, SEE SHEET 3 FOR SCREW LENGTH + TORQUE SPEC.
  - PLATE GROUND PAD WITH EMERSION SILVER OR GOLD.
  - MATERIAL:  
GUIDE HOUSING - ZINC DIECAST, NICKEL PLATED.  
COVER - STAINLESS STEEL.  
GASKET: CONDUCTIVE ELASTOMER
  - NO RoHS EXEMPTIONS.
  - GUIDE HOUSING PEGS FOR ALIGNMENT ONLY, DO NOT SOLDER.

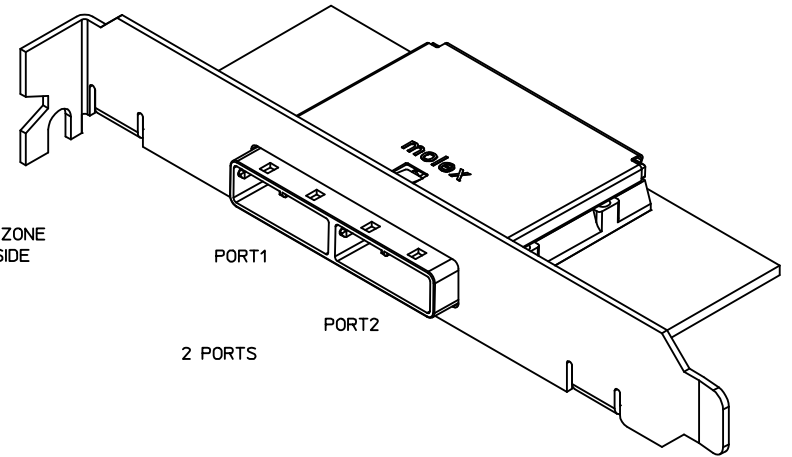
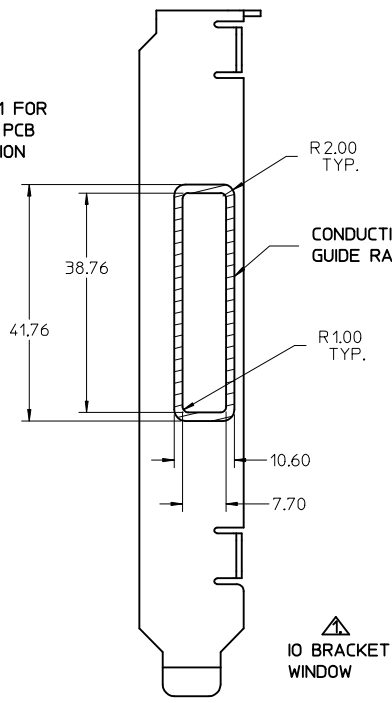
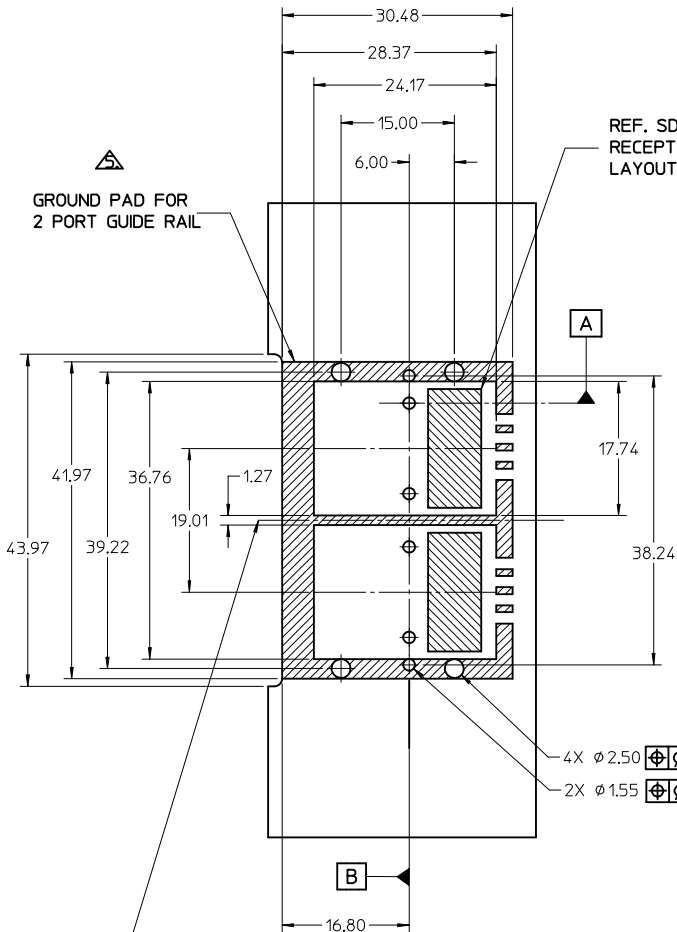
PART NUMBER	SW	OAW	PORT SIZE	KEY(S) PORT1	KEY(S) PORT2	KEY(S) PORT3	KEY(S) PORT4	IDENTIFIERS	ELASTOMERIC GASKET FLAMMABILITY RATING
745480100	76.29	79.99	4	1	1	1	1	SATA - 'X' CABLES	94HB
745480103	76.29	79.99	4	2,4	2,4	2,4	2,4	SAS OUT PORT/END DEVICE	94HB
745480104	76.29	79.99	4	4,6	4,6	4,6	4,6	SAS IN PORT/END DEVICE	94HB
745480105	76.29	79.99	4	4	4	4	4	SAS UNIVERSAL PORT	94HB
745480112	76.29	79.99	4	7	7	7	7	SATA - 'M' CABLES	94HB
745480117	76.29	79.99	4	2	2	2	2	SAS - OUT PORT	94HB
745480120	76.29	79.99	4	6	6	6	6	SAS - IN PORT	94HB

<b>SEE REVISION TABLE</b> EC NO: CPG2015-3882 DRWN:LUZ0 2015/01/22 CHKD:SYANG16 2015/01/26 APPR:RCHEN08 2015/02/03	QUALITY SYMBOLS ▽=0 ▽=0 ▽=0	GENERAL TOLERANCES (UNLESS SPECIFIED)		DIMENSION STYLE MM ONLY		SCALE 2:1	DESIGN UNITS METRIC	THIRD ANGLE PROJECTION	
		4 PLACES ± --- ± --- 3 PLACES ± --- ± --- 2 PLACES ± 0.13 ± --- 1 PLACE ± 0.25 ± --- 0 PLACE ± ±	mm INCH ± --- ± --- ± 0.13 ± --- ± 0.25 ± --- ± ±	DRAWN BY SNAVARRO	DATE 2006/05/26	TITLE I-PASS 26CKT ONE DEG. EMI GUIDE RAIL HOUSING ASSEMBLY, MULTI PORT			
		ANGULAR ±1/2°		CHECKED BY BREED	DATE 2006/05/26	MATERIAL NO. SD-74548-100			
		DRAFT WHERE APPLICABLE MUST REMAIN WITHIN DIMENSIONS		APPROVED BY DDOYE	DATE 2006/05/26				

THIS DRAWING CONTAINS INFORMATION THAT IS PROPRIETARY TO MOLEX INCORPORATED AND SHOULD NOT BE USED WITHOUT WRITTEN PERMISSION

iPass™ is a Trademark of Molex, Inc.

**molex**



43.22  
(MIN CENTER TO CENTER RAIL SPACING USING M2X0.4 FLAT HEAD OR BUTTON HEAD SCREWS)

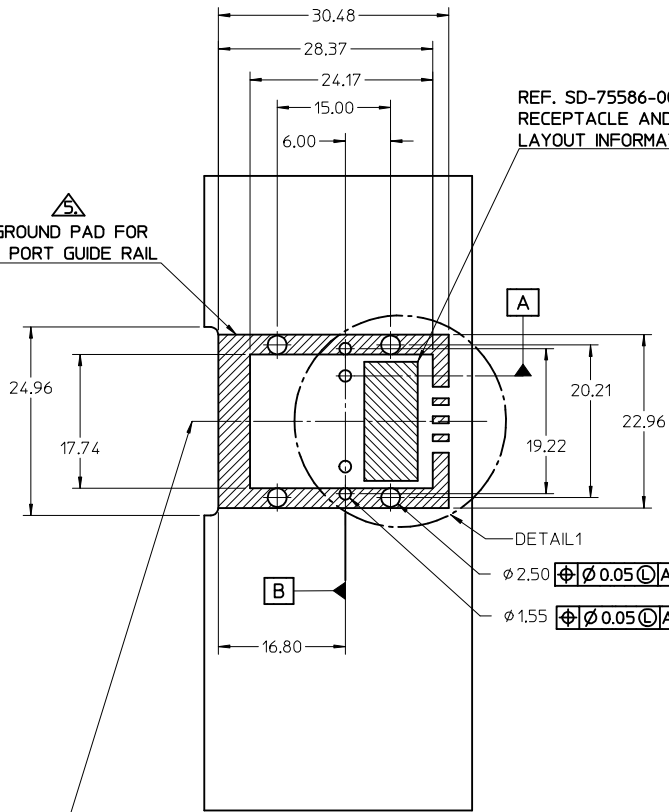
- 4X  $\phi 2.50$   $\oplus \ominus \phi 0.05 \text{ (C) A/B}$
- 2X  $\phi 1.55$   $\oplus \ominus \phi 0.05 \text{ (C) A/B}$

PART NUMBER	SW	OAW	PORT SIZE	KEY(S) PORT 1	KEY(S) PORT 2	IDENTIFIERS	ELASTOMERIC GASKET FLAMMABILITY RATING
745480102	38.26	41.96	2	1	1	SATA - 'X' CABLES	94HB
745480106	38.26	41.96	2	2,4	2,4	SAS OUT PORT/END DEVICE	94HB
745480107	38.26	41.96	2	4,6	4,6	SAS IN PORT/END DEVICE	94HB
745480108	38.26	41.96	2	4	4	SAS UNIVERSAL PORT	94HB
745480113	38.26	41.96	2	7	7	SATA - 'M' CABLES	94HB
745480115	38.26	41.96	2	4,6	2,4	SAS IN PORT - SAS OUT PORT	94HB
745480116	38.26	41.96	2	2,4	4,6	SAS OUT PORT - SAS IN PORT	94HB
745480118	38.26	41.96	2	2	2	SAS - OUT PORT	94HB
745480121	38.26	41.96	2	6	6	SAS - IN PORT	94HB
745480124	38.26	41.96	2	3	3	SRIO	94HB
745480128	38.26	41.96	2	2,4	4,6	SAS OUT PORT - SAS IN PORT	94V-0

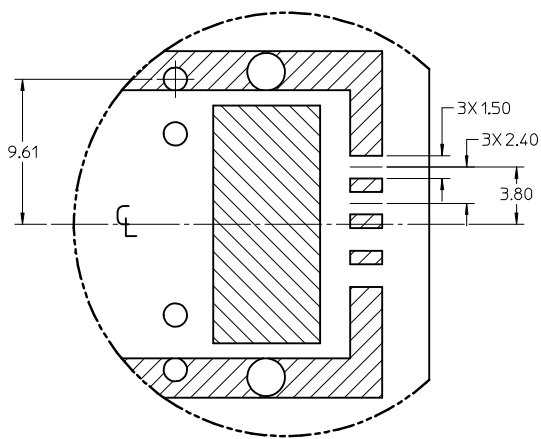
iPass™ is a Trademark of Molex, Inc.

<b>SEE REVISION TABLE</b> EC NO: CPG2015-3682 DRW: LUL20 2015/01/22 CHK: SYANG16 2015/01/26 APPR: RCHM08 2015/02/03	QUALITY SYMBOLS $\nabla = 0$ $\nabla = 0$ $\nabla = 0$	GENERAL TOLERANCES (UNLESS SPECIFIED) <table border="1"> <tr> <th></th> <th>mm</th> <th>INCH</th> </tr> <tr> <td>4 PLACES</td> <td><math>\pm</math> ---</td> <td><math>\pm</math> ---</td> </tr> <tr> <td>3 PLACES</td> <td><math>\pm</math> ---</td> <td><math>\pm</math> ---</td> </tr> <tr> <td>2 PLACES</td> <td><math>\pm</math> 0.13</td> <td><math>\pm</math> ---</td> </tr> <tr> <td>1 PLACE</td> <td><math>\pm</math> 0.25</td> <td><math>\pm</math> ---</td> </tr> <tr> <td>0 PLACE</td> <td><math>\pm</math></td> <td><math>\pm</math></td> </tr> </table>		mm	INCH	4 PLACES	$\pm$ ---	$\pm$ ---	3 PLACES	$\pm$ ---	$\pm$ ---	2 PLACES	$\pm$ 0.13	$\pm$ ---	1 PLACE	$\pm$ 0.25	$\pm$ ---	0 PLACE	$\pm$	$\pm$	DIMENSION STYLE <b>MM ONLY</b>	SCALE <b>2:1</b>	DESIGN UNITS <b>METRIC</b>	THIRD ANGLE PROJECTION
				mm	INCH																			
			4 PLACES	$\pm$ ---	$\pm$ ---																			
			3 PLACES	$\pm$ ---	$\pm$ ---																			
2 PLACES	$\pm$ 0.13	$\pm$ ---																						
1 PLACE	$\pm$ 0.25	$\pm$ ---																						
0 PLACE	$\pm$	$\pm$																						
DRAWN BY: SNAVARRO DATE: 2006/05/26 CHECKED BY: DATE: 2006/05/26 APPROVED BY: DDOYE DATE: 2006/05/26		MATERIAL NO.		DOCUMENT NO.		SHEET NO.																		
DRAFT WHERE APPLICABLE MUST REMAIN WITHIN DIMENSIONS		<b>SEE P/N TABLE</b>		<b>SD-74548-100</b>		<b>2 OF 4</b>																		
THIS DRAWING CONTAINS INFORMATION THAT IS PROPRIETARY TO MOLEX INCORPORATED AND SHOULD NOT BE USED WITHOUT WRITTEN PERMISSION																								

GROUND PAD FOR  
1 PORT GUIDE RAIL

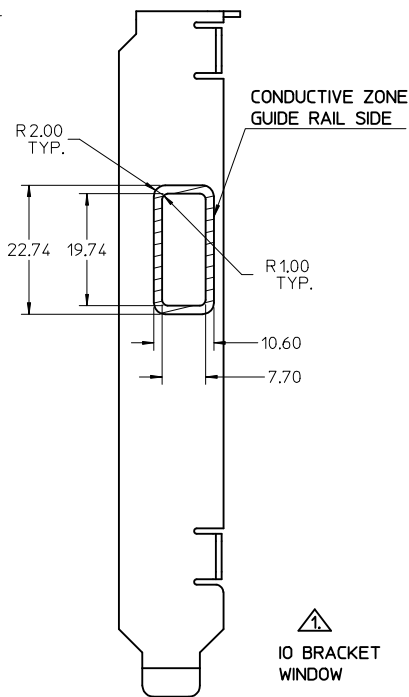


24.21  
(MIN CENTER TO CENTER RAIL  
SPACING USING M2X0.4 FLAT  
HEAD OR BUTTON HEAD SCREWS)

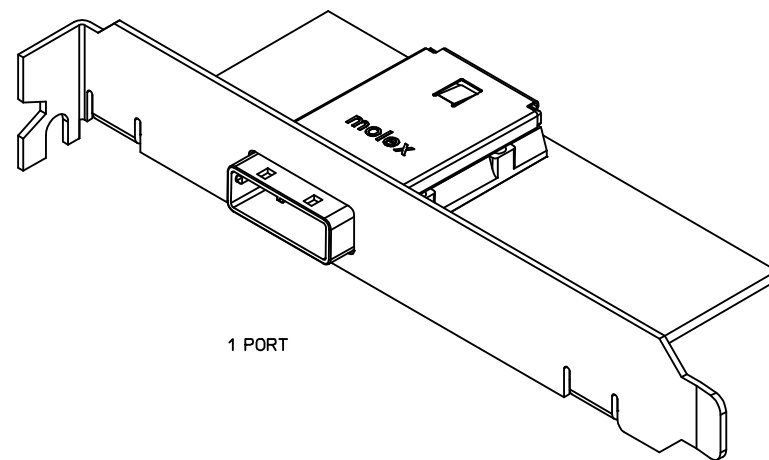


DETAIL1  
SCALE 4:1

REF. SD-75586-001 FOR  
RECEPTACLE AND PCB  
LAYOUT INFORMATION



IO BRACKET  
WINDOW



PCB THICKNESS	SCREW LENGTH	TORQUE (IN LBS)
1.6 (.063')	5MM	2.3
2.38 (.093')	6MM	2.3
3.2 (.125')	6MM	2.3
X	+4MM MAX	2.3

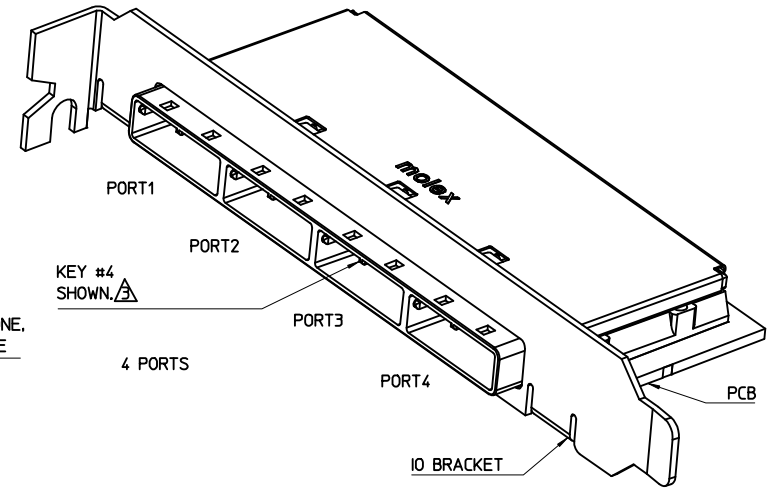
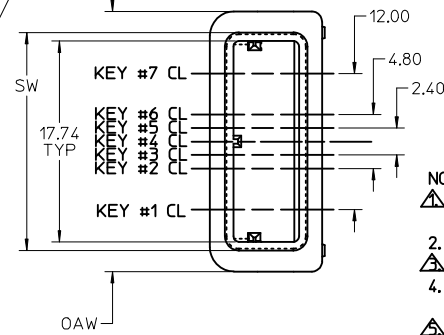
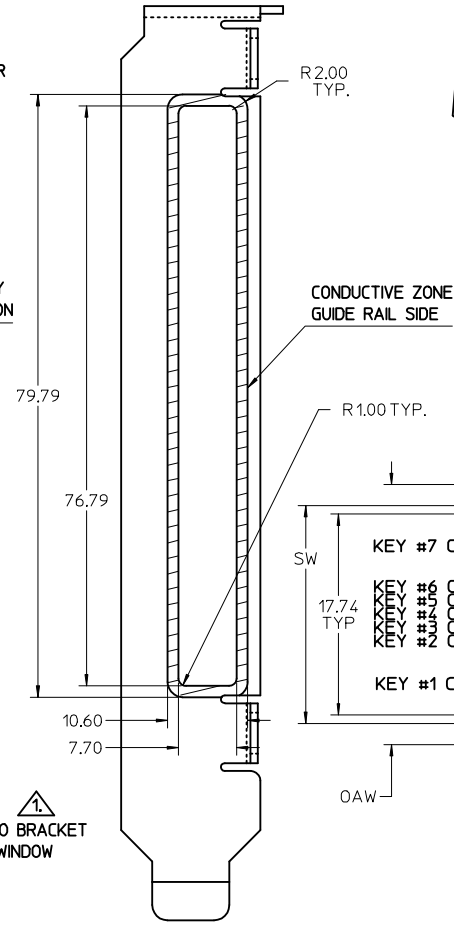
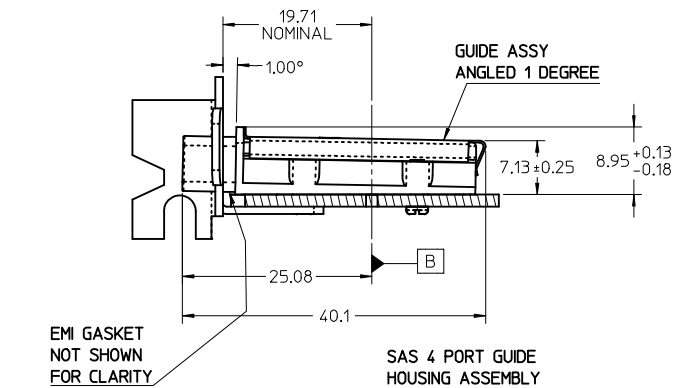
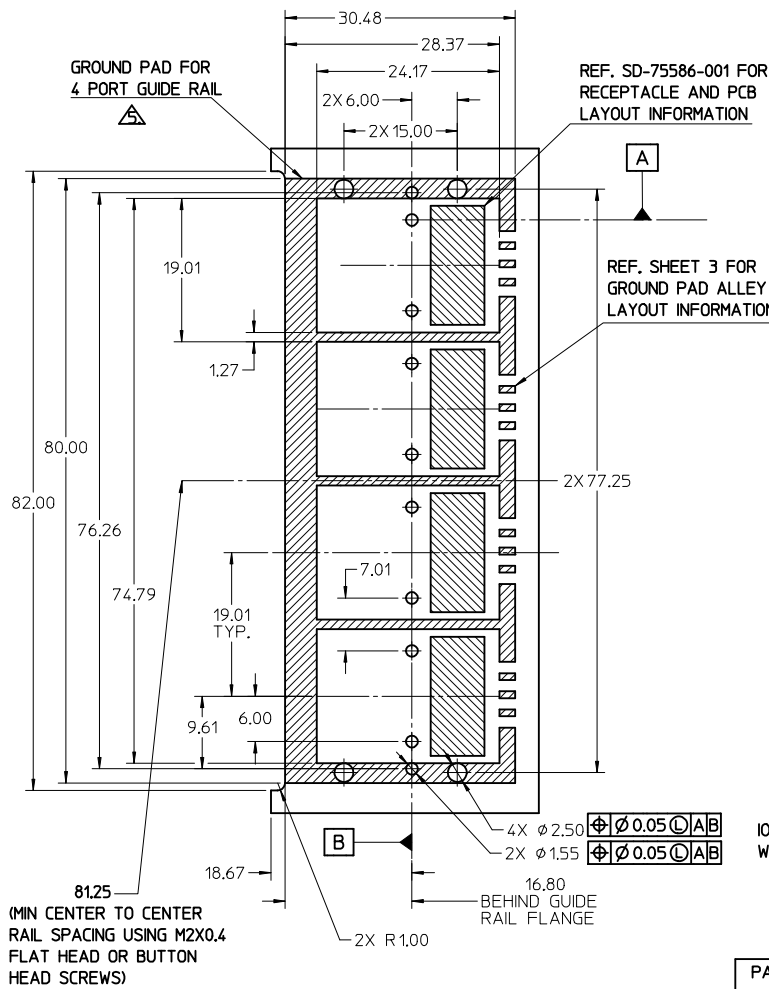
PART NUMBER	SW	OAW	PORT SIZE	KEY(S)	IDENTIFIERS	ELASTOMERIC GASKET FLAMMABILITY RATING
745480101	19.24	22.95	1	1	SATA - 'X' CABLES	94HB
745480109	19.24	22.95	1	2,4	SAS OUT PORT/END DEVICE	94HB
745480110	19.24	22.95	1	4,6	SAS IN PORT/END DEVICE	94HB
745480111	19.24	22.95	1	4	SAS UNIVERSAL PORT	94HB
745480114	19.24	22.95	1	7	SATA - 'M' CABLES	94HB
745480119	19.24	22.95	1	2	SAS - OUT PORT	94HB
745480122	19.24	22.95	1	6	SAS - IN PORT	94HB
745480125	19.24	22.95	1	3	SRIO	94HB

iPass™ is a Trademark of Molex, Inc.

SEE REVISION TABLE	QUALITY SYMBOLS	GENERAL TOLERANCES (UNLESS SPECIFIED)		DIMENSION STYLE MM ONLY		SCALE	DESIGN UNITS	THIRD ANGLE PROJECTION
		mm	INCH	DRAWN BY	DATE	2:1	METRIC	
EC NO: CPG2015-3882 DRWIN:LU20 2015/01/22 CHKD:SYANG16 2015/01/26 APPR:RCHEN08 2015/02/03 REV	▽=0	4 PLACES ±	---	±	---	SNABARRO	2006/05/26	I-PASS 26CKT ONE DEG. EMI GUIDE RAIL HOUSING ASSEMBLY, MULTI PORT <b>molex</b> DOCUMENT NO. SD-74548-100 SHEET NO. 3 OF 4
	▽=0	3 PLACES ±	---	±	---	CHECKED BY	DATE	
	▽=0	2 PLACES ±	0.13	±	---	BREED	2006/05/26	
		1 PLACE ±	0.25	±	---	APPROVED BY	DATE	
		0 PLACE ±		±	---	DDOYE	2006/05/26	
		ANGULAR ±1/2°		SEE P/N TABLE				
		DRAFT WHERE APPLICABLE MUST REMAIN WITHIN DIMENSIONS		SIZE C		THIS DRAWING CONTAINS INFORMATION THAT IS PROPRIETARY TO MOLEX INCORPORATED AND SHOULD NOT BE USED WITHOUT WRITTEN PERMISSION		







- NOTES:
- REF. PCI EXPRESS CARD ELECTROMECHANICAL SPECIFICATION, REV 1.0a FOR BRACKET WINDOW LOCATION.
  - PCB AND BRACKET SHOWN FOR REFERENCE ONLY.
  - REF. SD-74547-100 FOR KEY POSITIONS.
  - GUIDE HOUSING MOUNTING THREAD= M2 X 0.40, SEE SHEET 3 FOR SCREW LENGTH + TORQUE SPEC.
  - PLATE GROUND PAD WITH EMERSION SILVER OR GOLD.
  - MATERIAL:  
GUIDE HOUSING - ZINC DIECAST, NICKEL PLATED.  
COVER - STAINLESS STEEL.  
GASKET: CONDUCTIVE ELASTOMER
  - NO RoHS EXEMPTIONS.
  - GUIDE HOUSING PEGS FOR ALIGNMENT ONLY, DO NOT SOLDER.

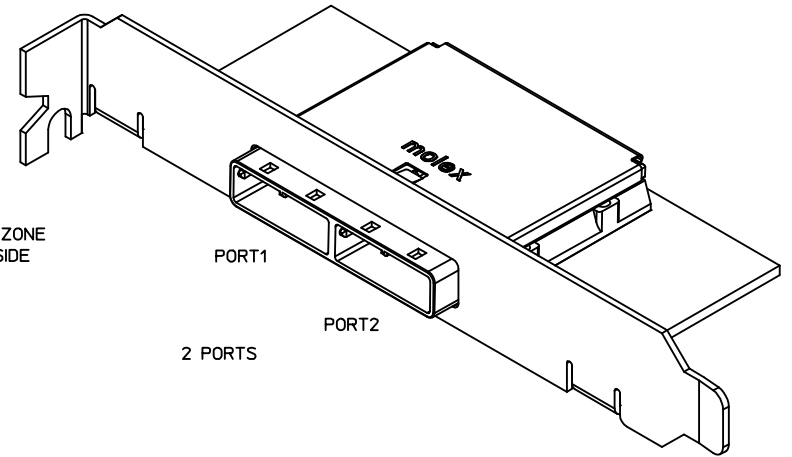
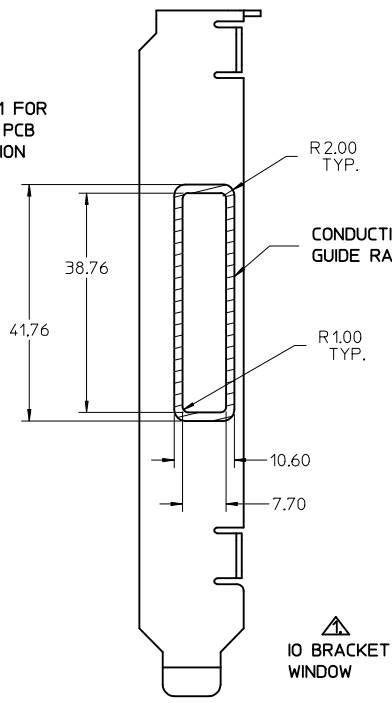
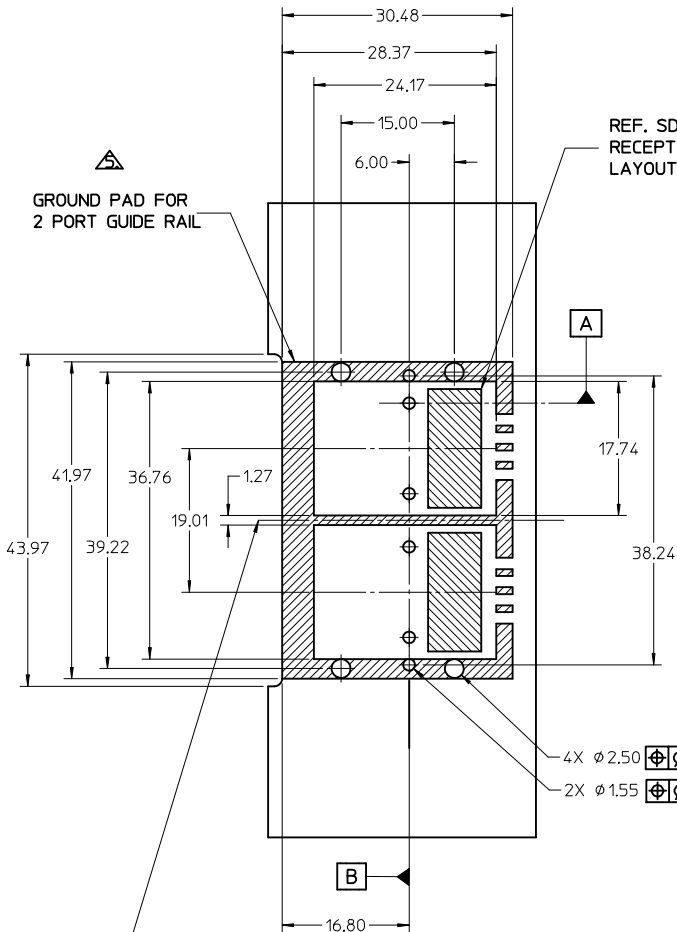
PART NUMBER	SW	OAW	PORT SIZE	KEY(S) PORT1	KEY(S) PORT2	KEY(S) PORT3	KEY(S) PORT4	IDENTIFIERS	ELASTOMERIC GASKET FLAMMABILITY RATING
745480100	76.29	79.99	4	1	1	1	1	SATA - 'X' CABLES	94HB
745480103	76.29	79.99	4	2,4	2,4	2,4	2,4	SAS OUT PORT/END DEVICE	94HB
745480104	76.29	79.99	4	4,6	4,6	4,6	4,6	SAS IN PORT/END DEVICE	94HB
745480105	76.29	79.99	4	4	4	4	4	SAS UNIVERSAL PORT	94HB
745480112	76.29	79.99	4	7	7	7	7	SATA - 'M' CABLES	94HB
745480117	76.29	79.99	4	2	2	2	2	SAS - OUT PORT	94HB
745480120	76.29	79.99	4	6	6	6	6	SAS - IN PORT	94HB

<b>SEE REVISION TABLE</b> EC NO: CPG2015-3882 DRWN:LUZ0 2015/01/22 CHKD:SYANG16 2015/01/26 APPR:RCHEN08 2015/02/03	QUALITY SYMBOLS ▽=0 ▽=0 ▽=0	GENERAL TOLERANCES (UNLESS SPECIFIED)		DIMENSION STYLE <b>MM ONLY</b>		SCALE 2:1	DESIGN UNITS METRIC	THIRD ANGLE PROJECTION	
		4 PLACES ± --- ± --- 3 PLACES ± --- ± --- 2 PLACES ± 0.13 ± --- 1 PLACE ± 0.25 ± --- 0 PLACE ± ±	mm INCH ± --- ± --- ± 0.13 ± --- ± 0.25 ± --- ± ±	DRAWN BY SNAVARRO	DATE 2006/05/26	TITLE <b>I-PASS 26CKT ONE DEG. EMI GUIDE RAIL HOUSING ASSEMBLY, MULTI PORT</b>			
		DRAFT WHERE APPLICABLE MUST REMAIN WITHIN DIMENSIONS		CHECKED BY BREED	DATE 2006/05/26	MATERIAL NO. DOCUMENT NO.			
		ANGULAR ±1/2°		APPROVED BY DDOYE	DATE 2006/05/26	SHEET NO. <b>SD-74548-100</b> 1 OF 4			

THIS DRAWING CONTAINS INFORMATION THAT IS PROPRIETARY TO MOLEX INCORPORATED AND SHOULD NOT BE USED WITHOUT WRITTEN PERMISSION

iPass™ is a Trademark of Molex, Inc.

**molex**



4X  $\phi 2.50$   $\oplus \ominus \phi 0.05 \text{ (C) AB}$   
 2X  $\phi 1.55$   $\oplus \ominus \phi 0.05 \text{ (C) AB}$

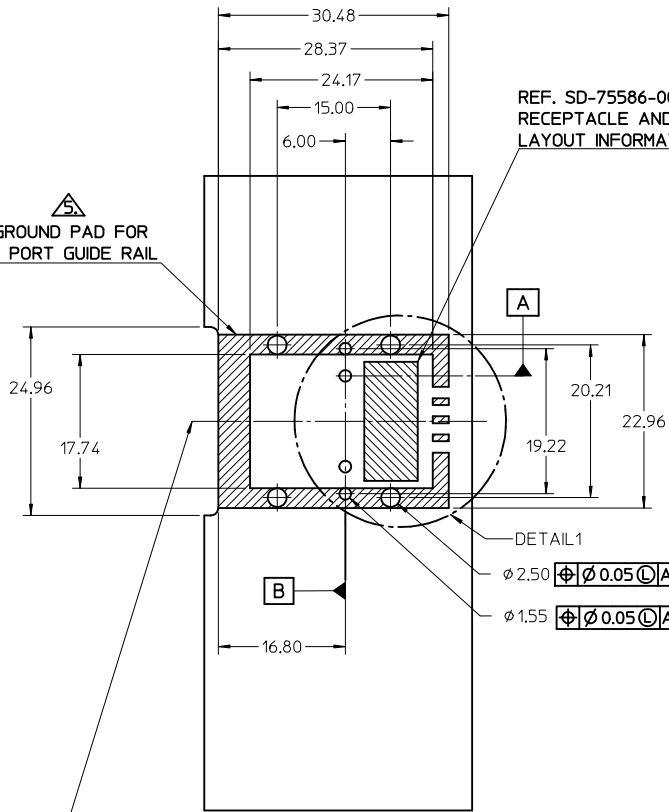
43.22  
 (MIN CENTER TO CENTER RAIL SPACING USING M2X0.4 FLAT HEAD OR BUTTON HEAD SCREWS)

PART NUMBER	SW	OAW	PORT SIZE	KEY(S) PORT 1	KEY(S) PORT 2	IDENTIFIERS	ELASTOMERIC GASKET FLAMMABILITY RATING
745480102	38.26	41.96	2	1	1	SATA - 'X' CABLES	94HB
745480106	38.26	41.96	2	2,4	2,4	SAS OUT PORT/END DEVICE	94HB
745480107	38.26	41.96	2	4,6	4,6	SAS IN PORT/END DEVICE	94HB
745480108	38.26	41.96	2	4	4	SAS UNIVERSAL PORT	94HB
745480113	38.26	41.96	2	7	7	SATA - 'M' CABLES	94HB
745480115	38.26	41.96	2	4,6	2,4	SAS IN PORT - SAS OUT PORT	94HB
745480116	38.26	41.96	2	2,4	4,6	SAS OUT PORT - SAS IN PORT	94HB
745480118	38.26	41.96	2	2	2	SAS - OUT PORT	94HB
745480121	38.26	41.96	2	6	6	SAS - IN PORT	94HB
745480124	38.26	41.96	2	3	3	SRIO	94HB
745480128	38.26	41.96	2	2,4	4,6	SAS OUT PORT - SAS IN PORT	94V-0

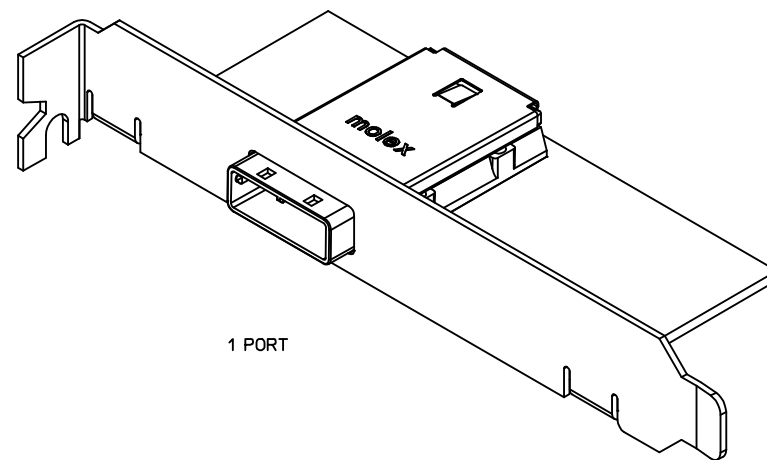
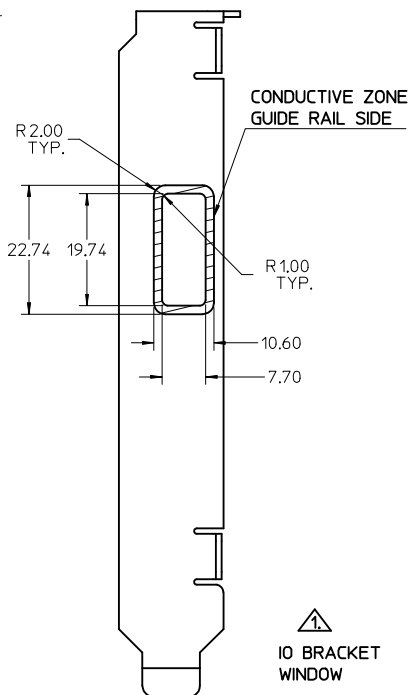
iPass™ is a Trademark of Molex, Inc.

<b>SEE REVISION TABLE</b> EC NO: CPG2015-3682 DRW: LUD0 2015/01/22 CHKD: SYANG16 2015/01/26 APPR: RCHM08 2015/02/03	QUALITY SYMBOLS $\nabla = 0$ $\nabla = 0$ $\nabla = 0$	GENERAL TOLERANCES (UNLESS SPECIFIED) <table border="1"> <tr> <th></th> <th>mm</th> <th>INCH</th> </tr> <tr> <td>4 PLACES</td> <td><math>\pm 0.13</math></td> <td><math>\pm 0.005</math></td> </tr> <tr> <td>3 PLACES</td> <td><math>\pm 0.25</math></td> <td><math>\pm 0.010</math></td> </tr> <tr> <td>2 PLACES</td> <td><math>\pm 0.38</math></td> <td><math>\pm 0.015</math></td> </tr> <tr> <td>1 PLACE</td> <td><math>\pm 0.51</math></td> <td><math>\pm 0.020</math></td> </tr> <tr> <td>0 PLACE</td> <td><math>\pm 0.64</math></td> <td><math>\pm 0.025</math></td> </tr> </table>		mm	INCH	4 PLACES	$\pm 0.13$	$\pm 0.005$	3 PLACES	$\pm 0.25$	$\pm 0.010$	2 PLACES	$\pm 0.38$	$\pm 0.015$	1 PLACE	$\pm 0.51$	$\pm 0.020$	0 PLACE	$\pm 0.64$	$\pm 0.025$	DIMENSION STYLE <b>MM ONLY</b> DRAWN BY: SNAVARRO DATE: 2006/05/26 CHECKED BY: BREED DATE: 2006/05/26 APPROVED BY: DDOYE DATE: 2006/05/26	SCALE: 2:1 DESIGN UNITS: METRIC THIRD ANGLE PROJECTION	TITLE: I-PASS 26CKT ONE DEG. EMI GUIDE RAIL HOUSING ASSEMBLY, MULTI PORT 
		mm	INCH																				
	4 PLACES	$\pm 0.13$	$\pm 0.005$																				
	3 PLACES	$\pm 0.25$	$\pm 0.010$																				
2 PLACES	$\pm 0.38$	$\pm 0.015$																					
1 PLACE	$\pm 0.51$	$\pm 0.020$																					
0 PLACE	$\pm 0.64$	$\pm 0.025$																					
MATERIAL NO. DOCUMENT NO. SD-74548-100 SHEET NO. 2 OF 4	<b>SEE P/N TABLE</b> THIS DRAWING CONTAINS INFORMATION THAT IS PROPRIETARY TO MOLEX INCORPORATED AND SHOULD NOT BE USED WITHOUT WRITTEN PERMISSION																						
DRAFT WHERE APPLICABLE MUST REMAIN WITHIN DIMENSIONS																							
ANGLAR $\pm 1/2^\circ$																							

GROUND PAD FOR  
1 PORT GUIDE RAIL

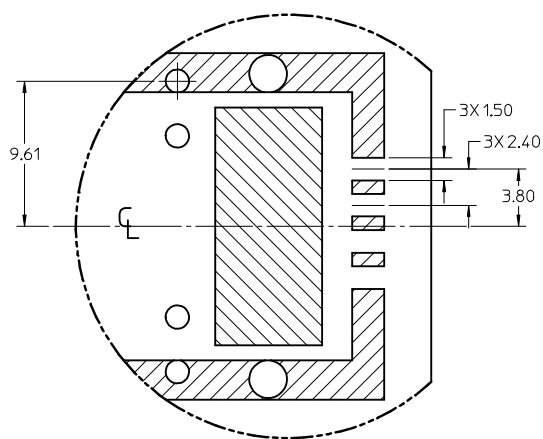


REF. SD-75586-001 FOR  
RECEPTACLE AND PCB  
LAYOUT INFORMATION



PCB THICKNESS	SCREW LENGTH	TORQUE (IN LBS)
1.6 (.063')	5MM	2.3
2.38 (.093')	6MM	2.3
3.2 (.125')	6MM	2.3
X	+4MM MAX	2.3

24.21  
(MIN CENTER TO CENTER RAIL  
SPACING USING M2X0.4 FLAT  
HEAD OR BUTTON HEAD SCREWS)



DETAIL1  
SCALE 4:1

PART NUMBER	SW	OAW	PORT SIZE	KEY(S)	IDENTIFIERS	ELASTOMERIC GASKET FLAMMABILITY RATING
745480101	19.24	22.95	1	1	SATA - 'X' CABLES	94HB
745480109	19.24	22.95	1	2,4	SAS OUT PORT/END DEVICE	94HB
745480110	19.24	22.95	1	4,6	SAS IN PORT/END DEVICE	94HB
745480111	19.24	22.95	1	4	SAS UNIVERSAL PORT	94HB
745480114	19.24	22.95	1	7	SATA - 'M' CABLES	94HB
745480119	19.24	22.95	1	2	SAS - OUT PORT	94HB
745480122	19.24	22.95	1	6	SAS - IN PORT	94HB
745480125	19.24	22.95	1	3	SRIO	94HB

iPass™ is a Trademark of Molex, Inc.

SEE REVISION TABLE	QUALITY SYMBOLS	GENERAL TOLERANCES (UNLESS SPECIFIED)		DIMENSION STYLE MM ONLY		SCALE	DESIGN UNITS	THIRD ANGLE PROJECTION
		mm	INCH	DRAWN BY	DATE	TITLE	METRIC	
EC NO: CPG2015-3882 DRWIN:LUZ0 2015/01/22 CHKD:SYANG16 2015/01/26 APPR:RCHEN08 2015/02/03 REV	▽=0	4 PLACES	± ---	± ---	SNABARRO	2006/05/26	2:1 I-PASS 26CKT ONE DEG. EMI GUIDE RAIL HOUSING ASSEMBLY, MULTI PORT <b>molex</b> SD-74548-100	SHEET NO. 3 OF 4
	▽=0	3 PLACES	± ---	± ---	CHECKED BY	DATE		
	▽=0	2 PLACES	± 0.13	± ---	BREED	2006/05/26		
	▽=0	1 PLACE	± 0.25	± ---	APPROVED BY	DATE		
		0 PLACE	±	±	DDOYE	2006/05/26		
DRAFT WHERE APPLICABLE MUST REMAIN WITHIN DIMENSIONS		ANGULAR ±1/2°		SEE P/N TABLE		DOCUMENT NO.		
THIS DRAWING CONTAINS INFORMATION THAT IS PROPRIETARY TO MOLEX INCORPORATED AND SHOULD NOT BE USED WITHOUT WRITTEN PERMISSION								

