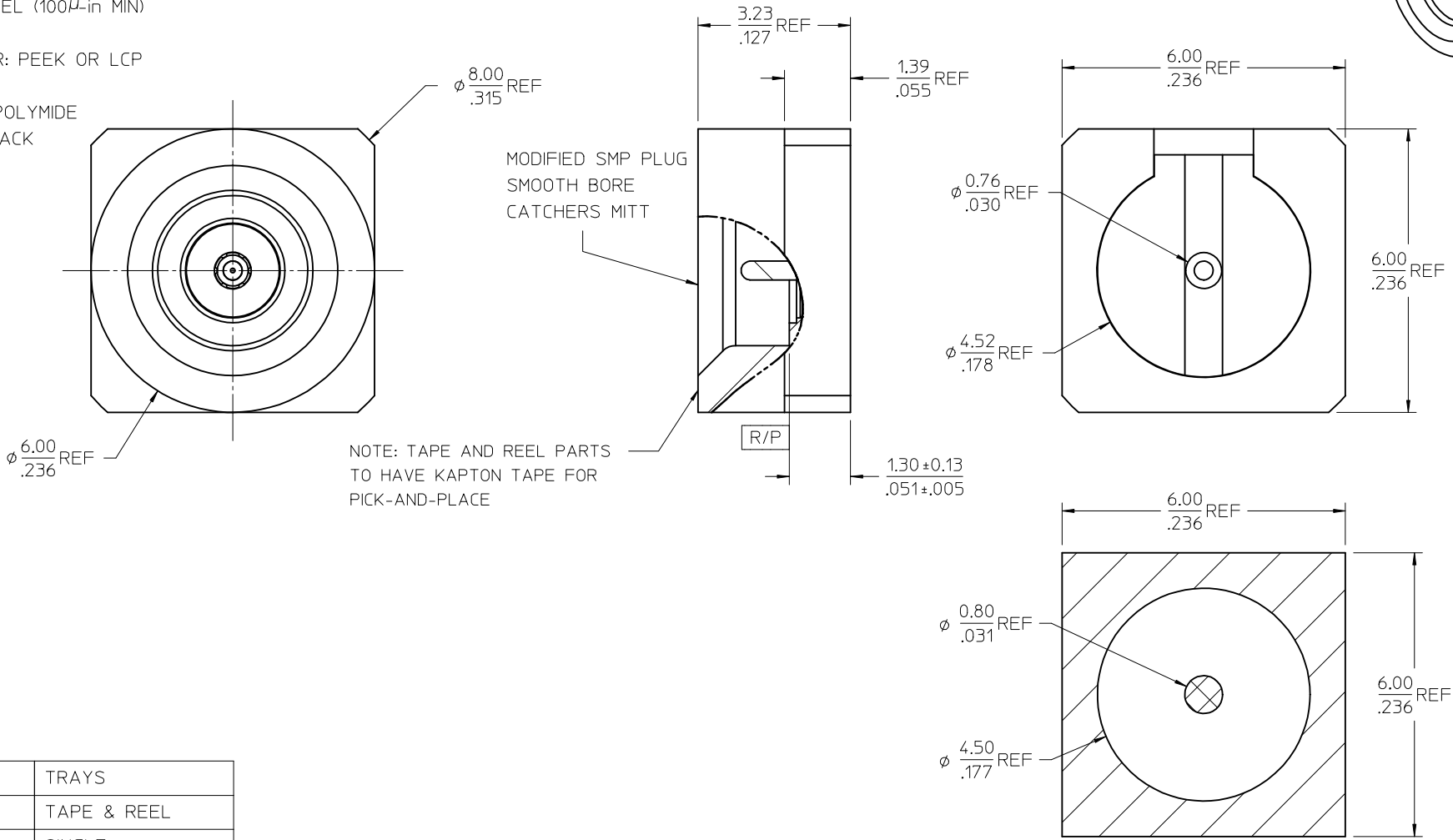
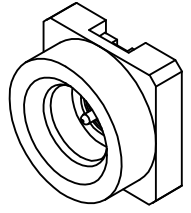


MATERIALS AND FINISHES:

BODY, CONTACT: BRASS
 PLATED: GOLD (30μ-in MIN)
 OVER NICKEL (100μ-in MIN)

INSULATOR: PEEK OR LCP

KAPTON: POLYIMIDE
 COLOR: BLACK



NOTE: TAPE AND REEL PARTS
 TO HAVE KAPTON TAPE FOR
 PICK-AND-PLACE

OPTIONAL PCB LAYOUT
 DESIGN TO 50 OHMS

73406-6082	TRAYS
73406-6081	TAPE & REEL
73406-6080	SINGLE
PART NO.	PACKAGING

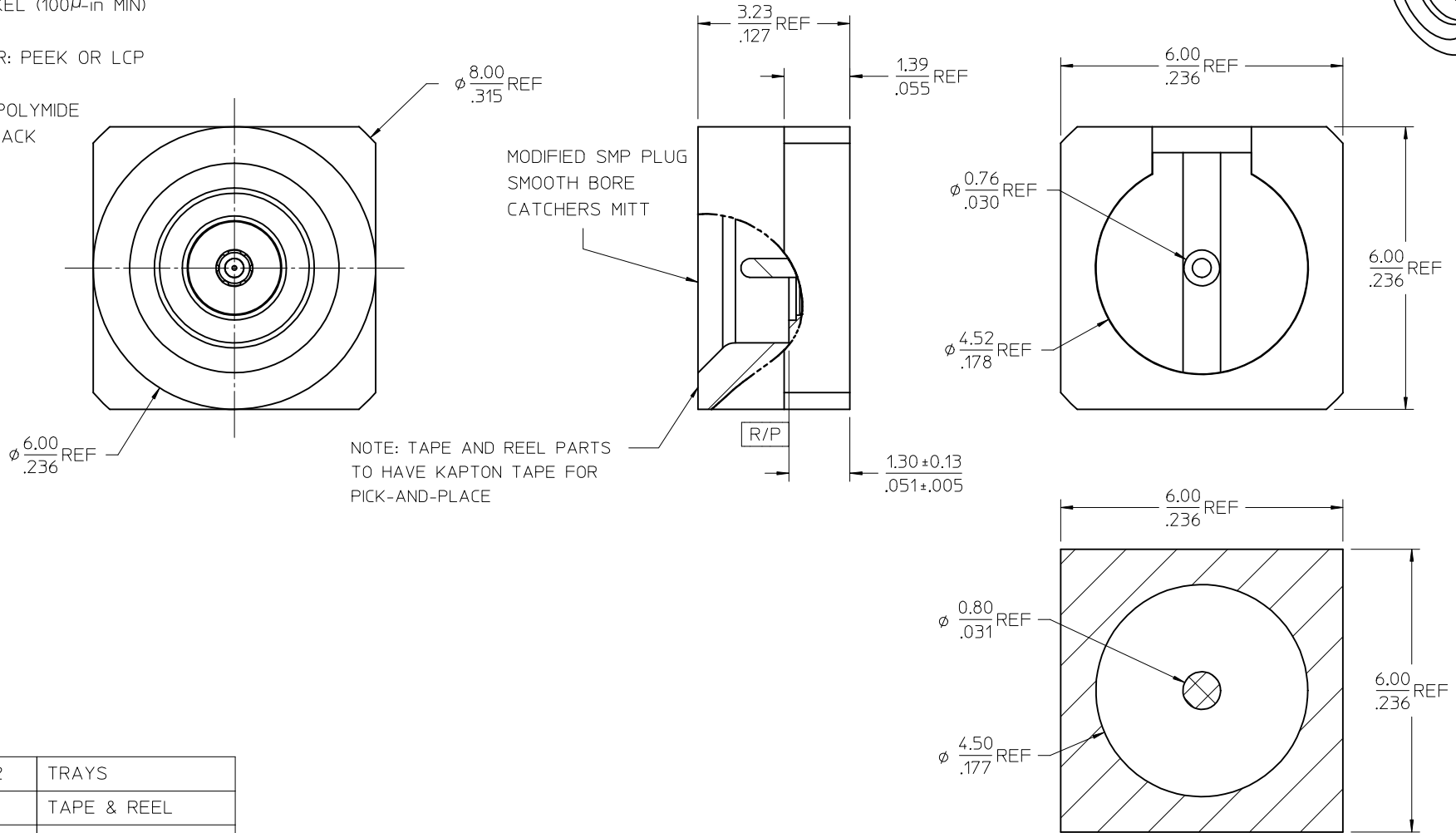
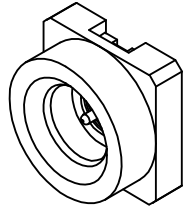
MIL-STD-348B, FIG. 326.5	INTERFACE	CHG: ADD TOLERANCE TO DIM 1.30/0.51 IN F5/6 ZONE UPD MATERIALS AND FINISHES NOTE. DRWIN:APRAKASHO1 2017/05/23 CHKD:888 2017/05/23 APPR:AROBERTSON 2017/06/28	QUALITY SYMBOLS ▽=0 ▽=0 ▽=0	GENERAL TOLERANCES (UNLESS SPECIFIED) <table border="1"> <thead> <tr> <th></th> <th>mm</th> <th>INCH</th> </tr> </thead> <tbody> <tr> <td>4 PLACES</td> <td>± .10</td> <td>± .004</td> </tr> <tr> <td>3 PLACES</td> <td>± .15</td> <td>± .006</td> </tr> <tr> <td>2 PLACES</td> <td>± 0.25</td> <td>± .010</td> </tr> <tr> <td>1 PLACE</td> <td>± .50</td> <td>± .020</td> </tr> <tr> <td>0 PLACE</td> <td>± 1.00</td> <td>± .040</td> </tr> </tbody> </table> ANGULAR ± 2 ° DRAFT WHERE APPLICABLE MUST REMAIN WITHIN DIMENSIONS		mm	INCH	4 PLACES	± .10	± .004	3 PLACES	± .15	± .006	2 PLACES	± 0.25	± .010	1 PLACE	± .50	± .020	0 PLACE	± 1.00	± .040	DIMENSION STYLE MM/IN	SCALE DESIGN UNITS METRIC	THIRD ANGLE PROJECTION
					mm	INCH																			
4 PLACES	± .10	± .004																							
3 PLACES	± .15	± .006																							
2 PLACES	± 0.25	± .010																							
1 PLACE	± .50	± .020																							
0 PLACE	± 1.00	± .040																							
SPECIFICATION	DESCRIPTION	A4	DRAWN BY AZR	DATE 2008/10/21	TITLE MODIFIED SMP PLUG SB CATCHERS MITT SMT SMP-P/PCB, EWR-3770	MATERIAL NO. SEE TABLE	DOCUMENT NO. SD-73406-608	SHEET NO. 1 OF 1																	

MATERIALS AND FINISHES:

BODY, CONTACT: BRASS
 PLATED: GOLD (30μ-in MIN)
 OVER NICKEL (100μ-in MIN)

INSULATOR: PEEK OR LCP

KAPTON: POLYIMIDE
 COLOR: BLACK



NOTE: TAPE AND REEL PARTS
 TO HAVE KAPTON TAPE FOR
 PICK-AND-PLACE

OPTIONAL PCB LAYOUT
 DESIGN TO 50 OHMS

73406-6082	TRAYS
73406-6081	TAPE & REEL
73406-6080	SINGLE
PART NO.	PACKAGING

MIL-STD-348B, FIG. 326.5	INTERFACE
SPECIFICATION	DESCRIPTION

CHG: ADD TOLERANCE
 TO DIM 1.30/0.51 IN
 F5/6 ZONE
 UPD MATERIALS AND
 FINISHES NOTE.
 EC NO: URF2017-0394
 DRWINAPRAKASHO1 2017/05/23
 CHKD:888 2017/05/23
 APPR:AROBERTSON 2017/06/28

REV	DESCRIPTION
A4	

QUALITY SYMBOLS	
	=0
	=0.010
	=0.25
	=0.127
	=0.005
ANGULAR ± 2 °	
DRAFT WHERE APPLICABLE MUST REMAIN WITHIN DIMENSIONS	

GENERAL TOLERANCES (UNLESS SPECIFIED)	
	MM/IN
4 PLACES	± .10 / ± .004
3 PLACES	± .125 / ± .005
2 PLACES	± .15 / ± .006
1 PLACE	± .175 / ± .007
0 PLACE	± .20 / ± .008
MATERIAL NO. SEE TABLE	
SIZE C	

DIMENSION STYLE		SCALE		DESIGN UNITS		THIRD ANGLE PROJECTION	
MM/IN		METRIC		MIL		MIL	
DRAWN BY	DATE	TITLE					
AZR	2008/10/21	MODIFIED SMP PLUG SB CATCHERS MITT SMT SMP-P/PCB, EWR-3770					
CHECKED BY	DATE	molex					
SSS	2008/10/21						
APPROVED BY	DATE	DOCUMENT NO. SD-73406-608		SHEET NO. 1 OF 1			
JDW	2008/10/21	THIS DRAWING CONTAINS INFORMATION THAT IS PROPRIETARY TO MOLEX INCORPORATED AND SHOULD NOT BE USED WITHOUT WRITTEN PERMISSION					