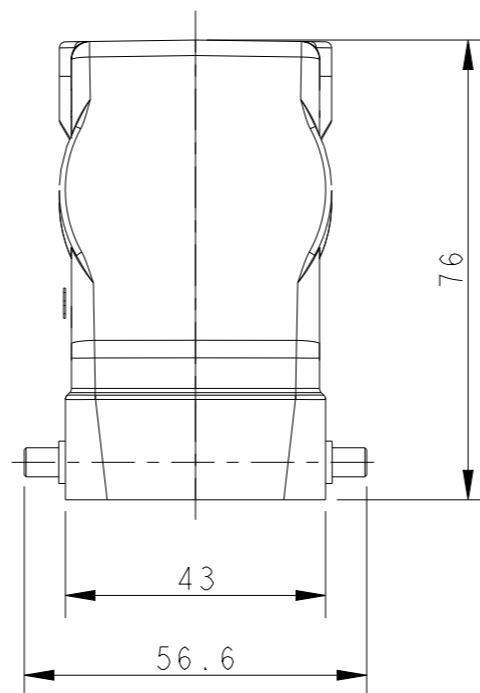
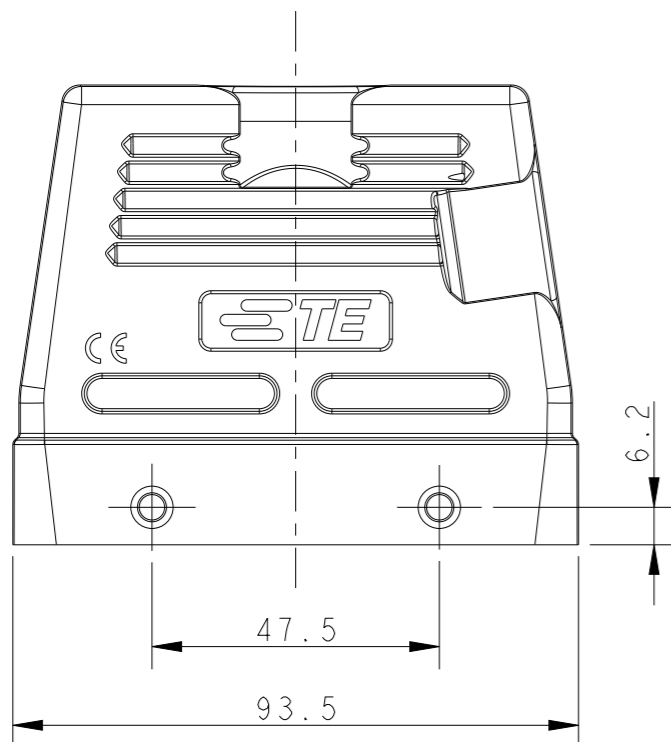
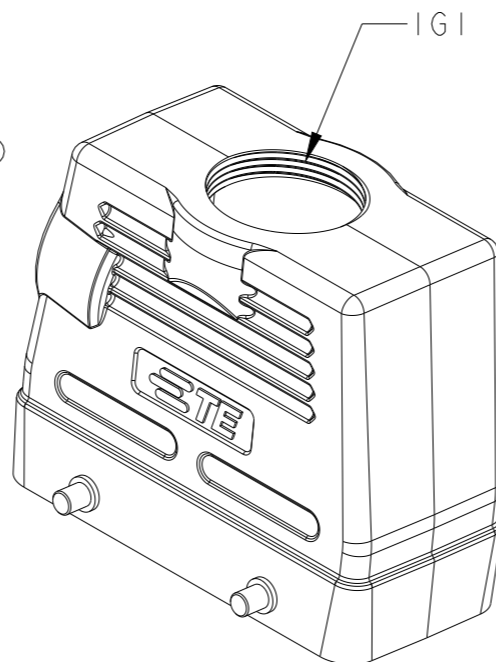
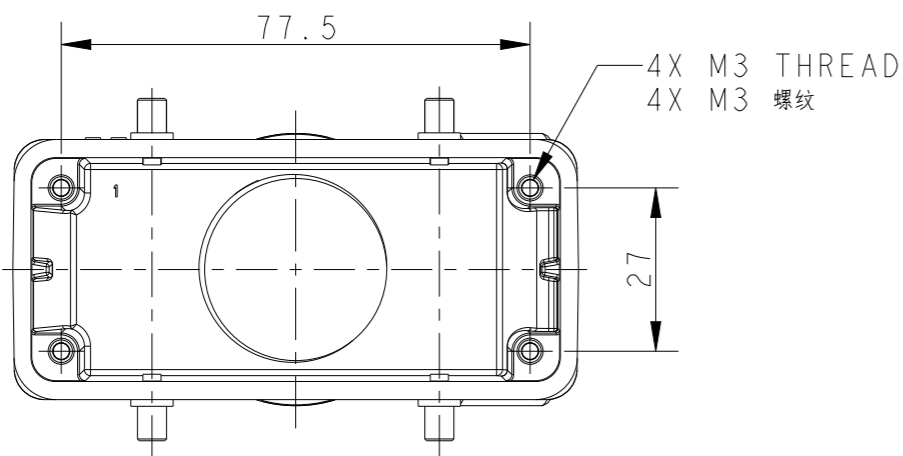


P	LTR	DESCRIPTION	DATE	DWN	APVD
	A	INITIAL RELEASE	26JUN2019	WQR	CW
	B	ECR-20-008181	30JUN2020	WQR	CW
	BI	ECR-21-105138	23JUN2021	WQR	CW




NOTES:
 1. TECHNICAL CHARACTERISTICS:
 HOOD MATERIAL: DIE CAST ALUMINIUM ALLOY
 SURFACE TREATMENT: POWDER COATED, GREY
 DEGREE OF PROTECTION: IP65 (MATED)

注释:
 1. 技术参数:
 上壳材质: 铝合金
 表面处理: 灰色粉末喷涂
 防护等级: IP65(配合)



T1248160132-000	H16B-TGH-M32	H16B HOOD, TOP ENTRY M32, 4 EAR RIVET, HIGH CONSTRUCTION, POWDER COATED, GREY H16B上壳, 顶出M32, 4耳铆接, 高结构, 灰色粉末喷涂	M32
PART NUMBER 料号	PART DESCRIPTION 描述		IGI

THIS DRAWING IS A CONTROLLED DOCUMENT.		DWN WENQING RAO 26JUN2019	 TE Connectivity	
DIMENSIONS: mm		CHK GINO YAO 26JUN2019		
TOLERANCES UNLESS OTHERWISE SPECIFIED:		APVD CHRIS WANG 26JUN2019	NAME H16B-TGH-M32	
0 PLC ±-		PRODUCT SPEC 108-137013	SIZE A3	
1 PLC ±-		APPLICATION SPEC 114-137013	CAGE CODE -	DRAWING NO C-T1248160132000
2 PLC ±-		WEIGHT -	RESTRICTED TO -	
3 PLC ±-		CUSTOMER DRAWING	SCALE 4:5	SHEET 1 OF 1
4 PLC ±-			REV BI	
ANGLES ±-				
FINISH				
MATERIAL				