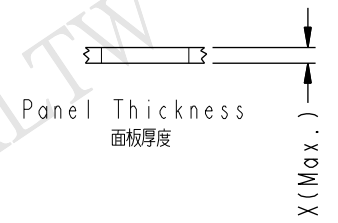
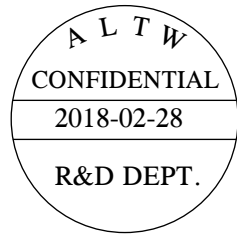
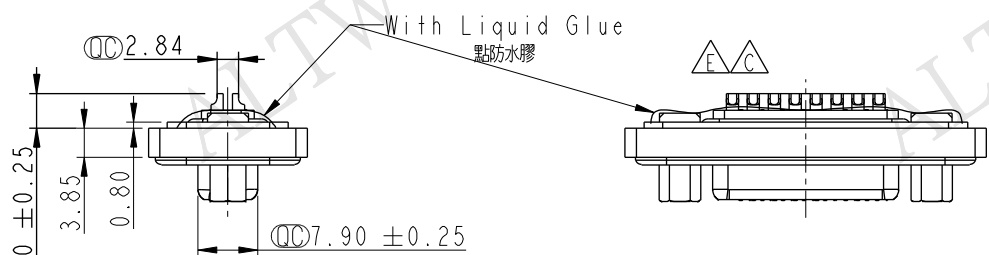
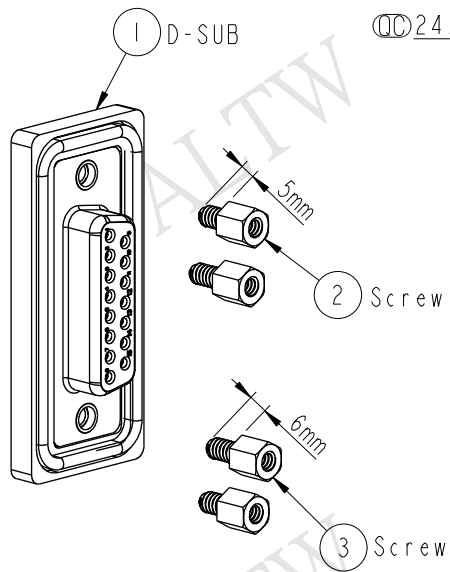
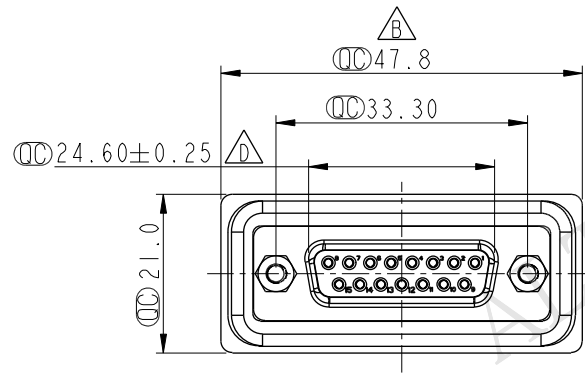


REV.	ECN NO.	DATE	SIGN	DESCRIPTION
C	LEN-970140	2009/07/10	Vicky	Remove Pin Dim.
D	LEN1390093	2013/06/13	Tony_leng	Change 24.66 To 24.60
E	LEN1830036	2018/02/28	Wen	Check Pin Solder Cup Direction.

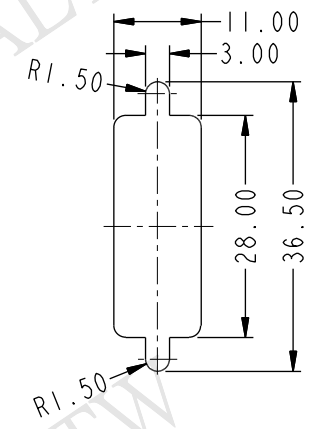


Screw L=5.0 For Panel Thickness Under 1.2mm
適用板厚為1.2mm以下

Screw L=6.0 For Panel Thickness Between 1.2~2.0mm
適用板厚為1.2~2.0mm



- Note:
- * \varnothing Important Dimension.
 - * Waterproof Rate: IP68
IP68: 1M of depth of water 24 hours (防水等級: IP68)
(IP68: 1米水深24小時)
 - * Do Mating Test After Glued (點膠後, 須作對插測試)
 - * Housing: Black, Nylon+GF.
 - * Connector: Black, PBT.
 - * Female Pin: Copper Alloy, Gold Plated.
 - * Ring: Light Blue, Silicone.
 - * Screw: Copper Alloy, Nickel Plated, #4-40 UNC.
 - * Applicable Wire Range: 22AWG-26AWG.
適用電線範圍: 22AWG-26AWG



Recommended Panel Cut-Out
建議挖孔尺寸

UNIT: mm		
TOLERANCE	.X ±0.25	
.XX ±0.1		
.XXX ±0.05		
ANGLES	±1°	

TITLE D-SUB Conn. Panel Screw DB15P F Conn. F Pin			
SCALE 1:1	SIZE A4	SHEET 1 OF 1	
REV. E	WC-REV. A.4	\varnothing : Inspection item	

Amphenol LTW
安費諾亮泰企業股份有限公司

ITEM NO. SDB-15PFFS-SL8001	DRAWN BY Wen	DATE 2018-02-28
DWG NO. SDB-15PFFS-SL8001	CHECKED BY Neo	DATE 2018-02-28
CUSTOMER ALTW	APPROVED BY Max	DATE 2018-02-28

DATE 2018-02-28
DATE 2018-02-28
DATE 2018-02-28

THIS DOCUMENT IS SUBJECT TO CHANGE WITHOUT NOTICE. IT IS CONFIDENTIAL AND A PROPERTY OF Amphenol LTW. DISCLOSURE TO THIRD PARTY HAS TO BE AUTHORIZED BY Amphenol LTW.