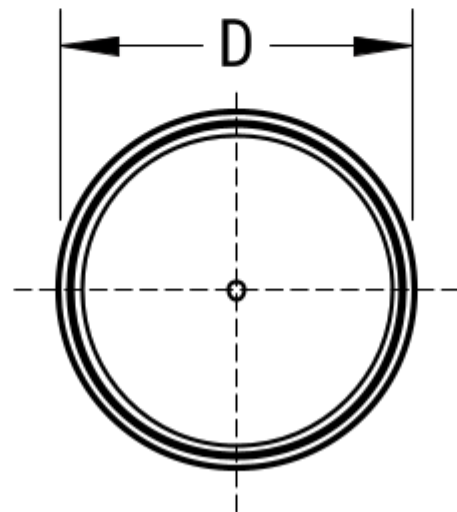
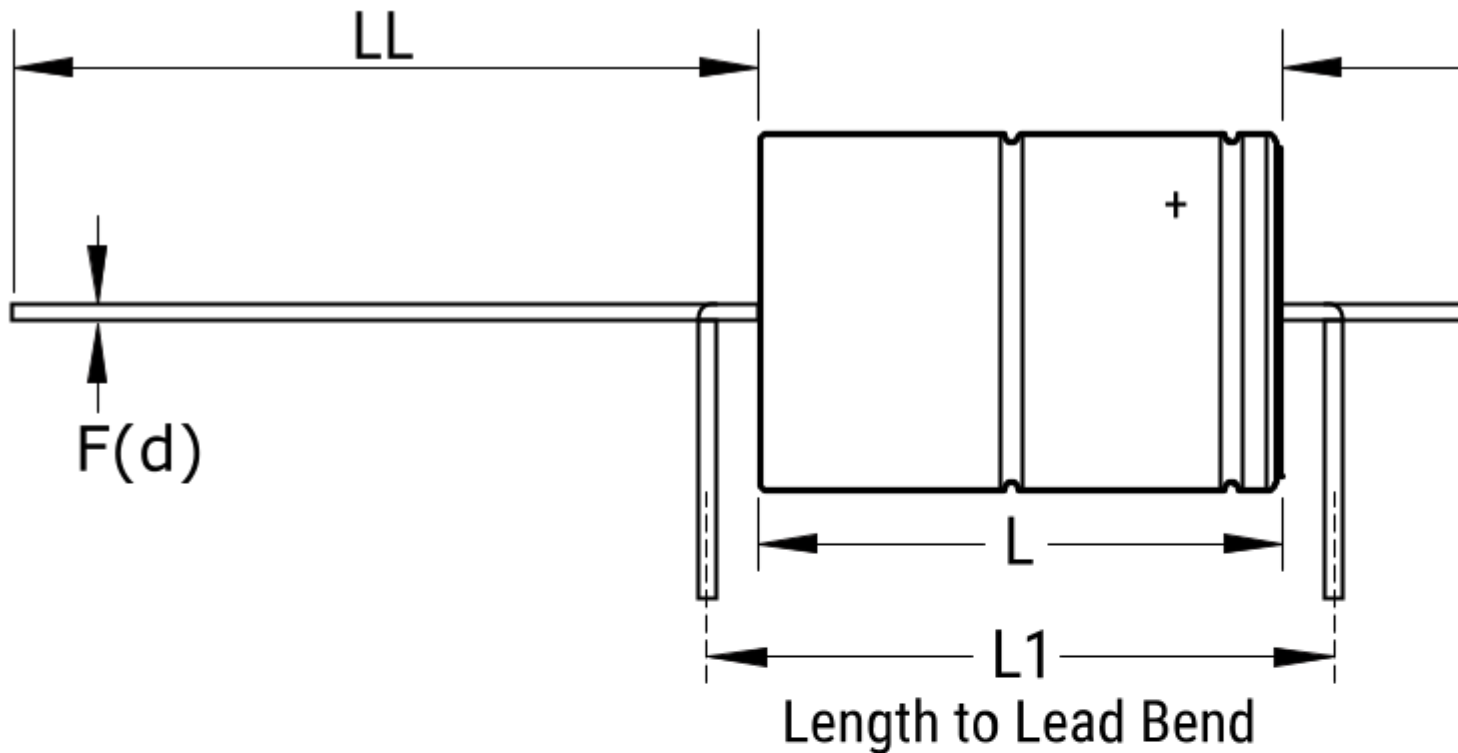


PEG228MML3990QE4

PEG228, Aluminum Electrolytic, 990 uF, -10/+30%, 63 VDC, -40/+150°C



Note: '()' correspond to the letters used

Click [here](#) for the 3D model.

Dimensions

D 20.2mm +/-0.5mm

L 26.7mm +/-1mm

L1 33mm MIN

LL 40mm +/-2mm

F 1mm +/-0.03mm

Packaging Specifications

Packaging Tray

General Information

Series	PEG228
Dielectric	Aluminum Electrolytic
Style	Axial
Description	Vibration Resistant Ultra High CV Aluminum Electrolytic
RoHS	Yes
Lead	Wire Leads
Qualifications	AEC-Q200
AEC-Q200	Yes
Halogen Free	Yes
Component Weight	13 g
Shelf Life	156 Weeks

Specifications

Capacitance	990 uF
Capacitance Tolerance	-10/+30%
Voltage DC	63 VDC
Temperature Range	-40/+150°C
Rated Temperature	150°C
Life	8400 Hrs (Rated Voltage At 125C), 2000 Hrs (Rated Voltage At 150C)
Resistance	74 mOhms (100Hz 20C), 27 mOhms (100kHz 20C), 15.2 mOhms (5-100kHz 150C)
Ripple Current	18.5 Amps (5kHz 125C, With Heat Sink), 11.7 Amps (5kHz 140C, With Heat Sink), 5.2 Amps (5kHz 150C, With Heat Sink), 6.1 Amps (5kHz 125C), 7.7 Amps (5kHz 125C Max)
Leakage Current	191.1 uA (5min 20°C)

Statements of suitability for certain applications are based on our knowledge of typical operating conditions for such applications, but are not intended to constitute - and we specifically disclaim - any warranty concerning suitability for a specific customer application or use. This Information is intended for use only by customers who have the requisite experience and capability to determine the correct products for their application. Any technical advice inferred from this Information or otherwise provided by us with reference to the use of our products is given gratis, and we assume no obligation or liability for the advice given or results obtained.

Generated 5/18/2023 - a77c7883-4084-4195-9971-837d06ada6e3

© 2006 - 2023 KEMET

Generated 5/18/2023 - a77c7883-4084-4195-9971-837d06ada6e3

© 2006 - 2023 KEMET