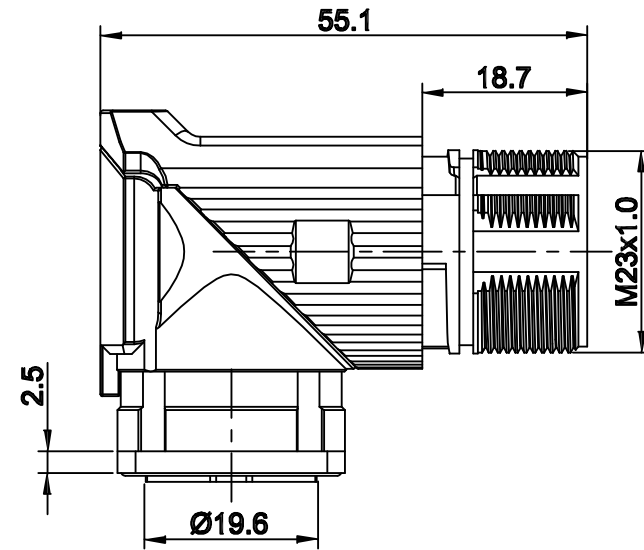
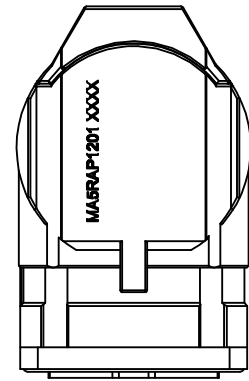
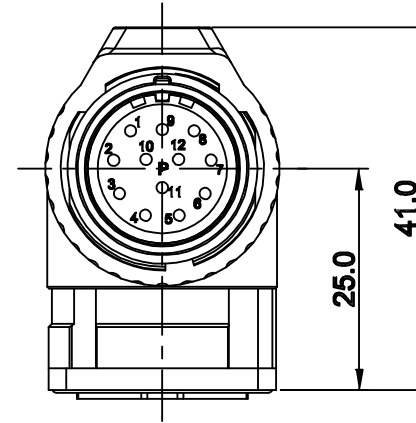


REVISIONS					
REV	ECO	DESCRIPTION	DATE	BY	APPR
A1	-	FIRST RELEASE	Oct.23,2015	Drack	Tommy
A2	-	Updated Drawing	Jun.20.2017	White	Tommy



P TYPE, NORMAL KEY



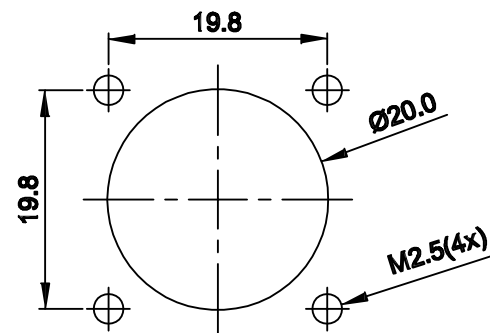
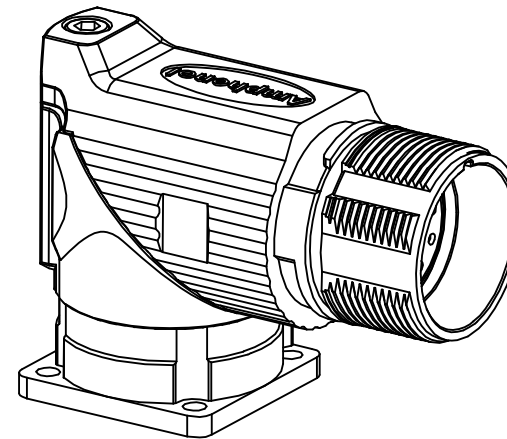
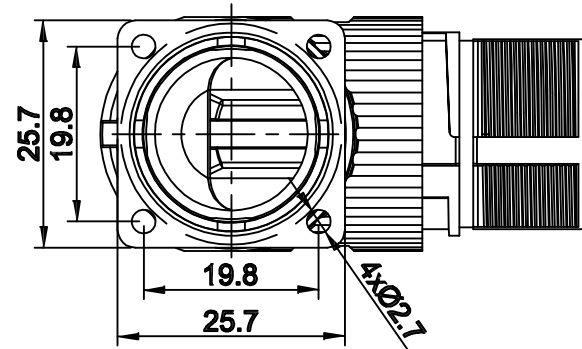
NOTES: UNLESS OTHERWISE SPECIFIED

- MATERIAL:  
INSULATION INSERT: PA66,UL94 V0  
SEAL: VITON  
HOUSING BODY: ZINC DIE CAST, NICKEL PLATED

2. SPECIFICATIONS

- CURRENT RATING: 10 AMPS
- VOLTAGE RATING: 160 V AC/DC
- OPERATING TEMPERATURE: -20C TO +130C
- DIELECTRIC WITHSTANDING VOLTAGE: LESS THAN 2 MILLIAMPS CURRENT LEAKAGE @ 2500 VOLTS AC.
- DEGREE OF PROTECTION: IP67 (MATED CONDITION)
- DEGREE OF POLLUTION: 3 PER UL840
- OVERVOLTAGE CATEGORY: III PER UL840
- MATING CYCLE DURABILITY: >500 CYCLES
- RoHS COMPLIANT

3. ALL DIMENSIONS ARE FOR REFERENCE USE ONLY.



MOUNTING HOLE

QUANTITY	SEE PART NUMBER CHART	DESCRIPTION	ITEM								
<b>MATERIALS LIST</b>											
<small>UNLESS OTHERWISE SPECIFIED</small> 1) All dimensions are in metric(mm). 2) Tolerances are as follows: 1 PL DEC ±0.30 2 PL DEC ±0.15 3 PL DEC ±0.08 3) Note reference = $\Delta$		<b>SIGNATURES</b> DRAWN: White CHECKED: Tod ENGINEER: APPROVAL: Tommy <b>DATE</b> Jun.20.2017 Jun.20.2017 Jun.20.2017	<div style="text-align: center;"> <h1>Amphenol</h1> <p>Sine Systems - www.amphenol-sine.com            44724 Morley Drive            Clinton Township, MI 48036</p> </div>								
<small>MATERIAL SPECIFICATIONS:</small>  <small>PROCESS SPECIFICATIONS:</small>  <small>NEXT ASSY:</small>		<small>CUSTOMER:</small> THIS DRAWING IS SUPPLIED FOR INFORMATION ONLY. DESIGN FEATURES, SPECIFICATIONS AND PERFORMANCE DATA SHOWN HEREON ARE THE PROPERTY OF THE AMPHENOL CORPORATION. NO RIGHTS OF REPRODUCTION ARE IMPLIED. ALL DIMENSIONS ARE SUBJECT TO NORMAL MANUFACTURING VARIATIONS.	M23A,REC.,RA,12P,P TYPE,CHECKMATE  <table border="1"> <tr> <td>SIZE</td> <td>TYPE</td> <td>DWG NO:</td> <td>REVISION</td> </tr> <tr> <td>B</td> <td>C-</td> <td>MA5RAP1201</td> <td>A2</td> </tr> </table>	SIZE	TYPE	DWG NO:	REVISION	B	C-	MA5RAP1201	A2
SIZE	TYPE	DWG NO:	REVISION								
B	C-	MA5RAP1201	A2								
SCALE: NONE		SHEET 1 OF 1									

TITLE: M23A,REC.,RA,12P,P TYPE,CHECKMATE DWG NO: MA5RAP1201 REV: A2 SH: 1 OF: 1