

THIS DRAWING IS UNPUBLISHED.

RELEASED FOR PUBLICATION

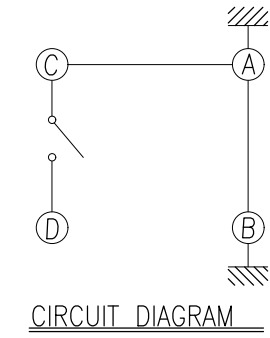
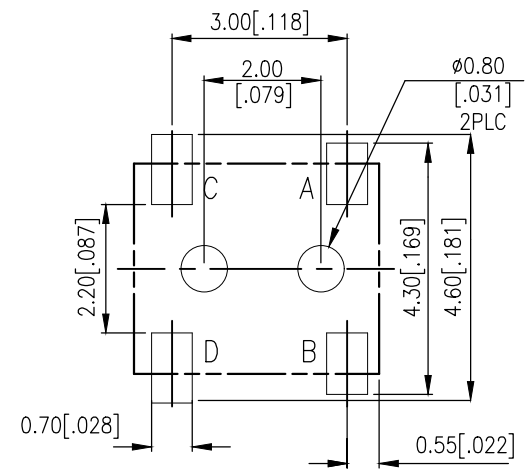
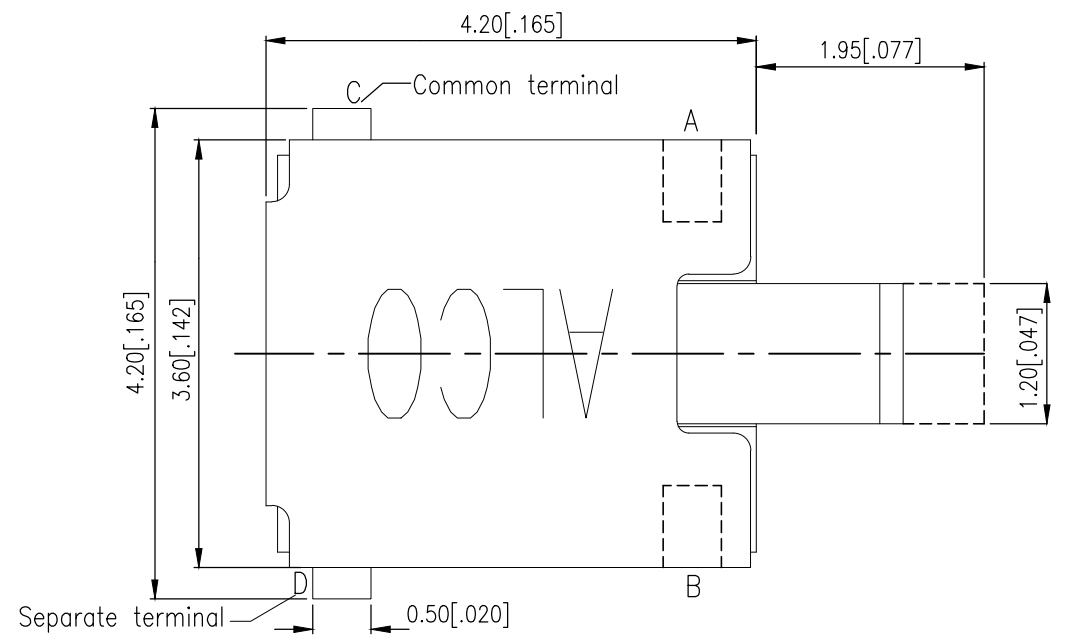
REVISIONS

© COPYRIGHT - TE Connectivity Ltd.

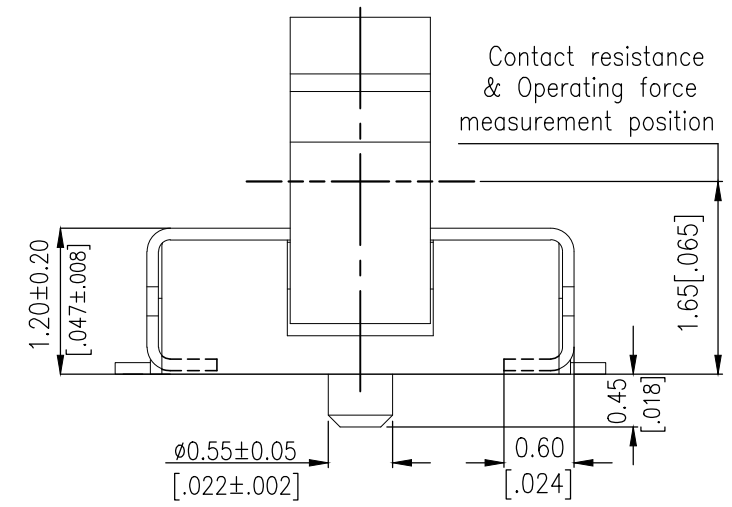
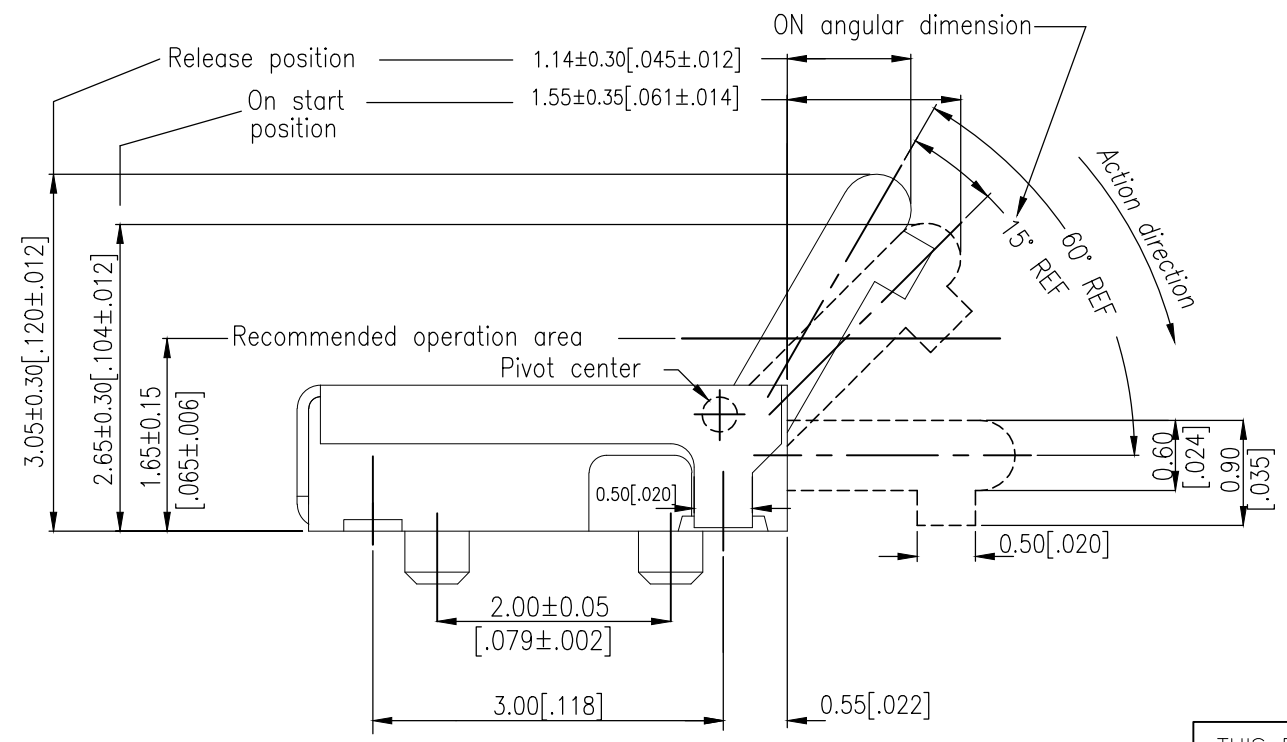
ALL RIGHTS RESERVED.

P	LTR	DESCRIPTION	DATE	DWN	APVD
	A	ECR-18-012767	14AUG2018	DHC	AS

2331412-1
AS SHOWN



P.C.B. LAYOUT



THIS DRAWING IS A CONTROLLED DOCUMENT.		DWN GANESH C M 07MAR2018	TE Connectivity Ltd.														
DIMENSIONS: mm [INCHES]		CHK ALEXANDER SHARPE 07MAR2018															
TOLERANCES UNLESS OTHERWISE SPECIFIED:		APVD ALEXANDER SHARPE 07MAR2018	NAME SWITCH, DETECTOR, JJD SERIES, 4.2X3.6mm VER ACTUATION, DOWN, SMT,POSTS FLAT TERM														
		PRODUCT SPEC	SIZE A3														
<table border="1"> <tr><td>0 PLC</td><td>± -</td></tr> <tr><td>1 PLC</td><td>± -</td></tr> <tr><td>2 PLC</td><td>± 0.20 [0.008]</td></tr> <tr><td>3 PLC</td><td>± -</td></tr> <tr><td>4 PLC</td><td>± -</td></tr> <tr><td>ANGLES</td><td>± -</td></tr> </table>		0 PLC	± -	1 PLC	± -	2 PLC	± 0.20 [0.008]	3 PLC	± -	4 PLC	± -	ANGLES	± -	APPLICATION SPEC	CAGE CODE 000779		DRAWING NO 2331412
0 PLC	± -																
1 PLC	± -																
2 PLC	± 0.20 [0.008]																
3 PLC	± -																
4 PLC	± -																
ANGLES	± -																
MATERIAL		WEIGHT	RESTRICTED TO														
FINISH		CUSTOMER DRAWING		SCALE NTS	SHEET 1 of 3												
				REV A													

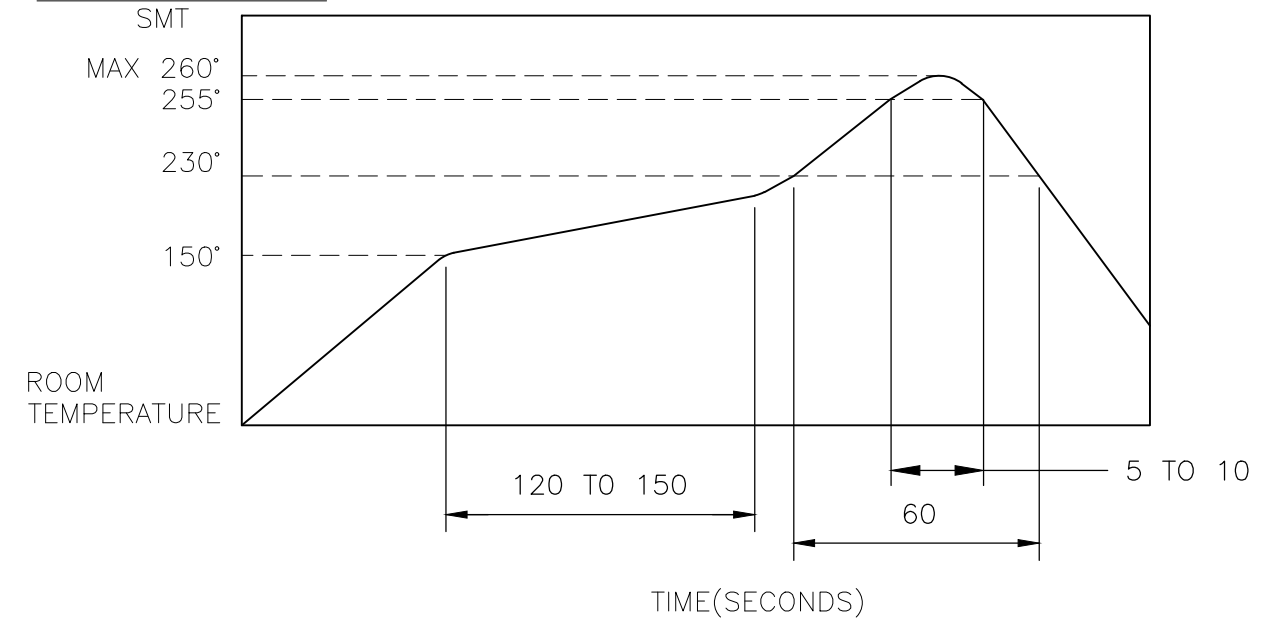
THIS DRAWING IS UNPUBLISHED. RELEASED FOR PUBLICATION
 © COPYRIGHT - TE Connectivity Ltd. ALL RIGHTS RESERVED.

REVISIONS					
P	LTR	DESCRIPTION	DATE	DWN	APVD
-	-	SEE SHEET 1	-	-	-

NOTES:

- 1. MATERIALS**
 ACTUATOR: THERMOPLASTIC, UL 94V-0, BLACK
 BODY: THERMOPLASTIC, UL 94V-0, BLACK
 COVER: NICKEL SILVER
 TERMINAL: COPPER ALLOY, SILVER PLATE
 CONTACT: COPPER ALLOY, GOLD PLATE
 SILICONE: SILICONE, BLACK
 STEM: THERMOPLASTIC, UL94V-0, BLACK
- 2. COMPLIANCE:**
 ALL MATERIALS AND FINISHES SHALL COMPLY WITH EU DIRECTIVE 2002/95/EC OF 27JAN2003(RoHS)
- 3. SPECIFICATIONS:**
 RATING: DC 3V, 50 mA TO DC 5V, 10mA
 CONTACT RESISTANCE: 1Ω MAXIMUM (INITIAL)
 INSULATION RESISTANCE: 100MΩ MINIMUM AT 100 V DC
 DIELECTRIC STRENGTH: 100 V AC, 1 MINUTE
 OPERATING LIFE: 50,000 CYCLES WITH LOAD
 TOTAL TRAVEL: 60°
 ACTUATION FORCE: 40gf MAXIMUM
 OPERATING TEMPERATURE: -10°C TO 60° C
 STORAGE TEMPERATURE: -20°C TO 70° C

4. SOLDER CONDITIONS:



THE CONDITION MENTIONED ABOVE IS THE TEMPERATURE ON THE CU FOIL OF THE PCB SURFACE. THERE ARE CASES WHERE THE BOARD'S TEMPERATURE GREATLY DIFFERS FROM THE SWITCH'S SURFACE. DO NOT ALLOW SWITCH'S SURFACE TEMPERATURE TO EXCEED 260°C

MANUAL SOLDERING

SOLDERING TEMPERATURE	MAX.350°C.
CONTINUOUS SOLDERING TIME	MAX. 5 SECONDS.

PRECAUTIONS IN HANDLING

- CARE SHOULD BE EXERCISED SO THAT FLUX FROM THE UPPER PART OF THE PRINTED CIRCUIT BOARD DOES NOT ADHERE TO THE SWITCH.

JJDVDUG305NOPMRQTR	2331412-1
SMART PART NUMBER	PART NUMBER

THIS DRAWING IS A CONTROLLED DOCUMENT.		DWN GANESH C M 07MAR2018	TE Connectivity Ltd. SWITCH, DETECTOR, JJD SERIES, 4.2X3.6mm VER ACTUATION, DOWN, SMT,POSTS FLAT TERM		
DIMENSIONS: mm [INCHES]		CHK ALEXANDER SHARPE 07MAR2018			
		APVD ALEXANDER SHARPE 07MAR2018	NAME		
TOLERANCES UNLESS OTHERWISE SPECIFIED:		PRODUCT SPEC	SIZE		
0 PLC ± -	1 PLC ± -	APPLICATION SPEC	CAGE CODE	DRAWING NO	RESTRICTED TO
2 PLC ± 0.20 [.008]	3 PLC ± -	WEIGHT	A300779	C-2331412	-
4 PLC ± -	ANGLES ± - ± -	CUSTOMER DRAWING	SCALE	SHEET	REV
MATERIAL -	FINISH -		NTS	2 of 3	A

THIS DRAWING IS UNPUBLISHED.

RELEASED FOR PUBLICATION

REVISIONS

© COPYRIGHT - TE Connectivity Ltd.

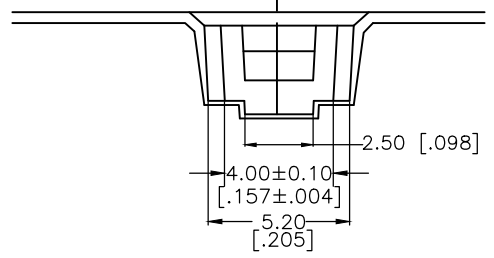
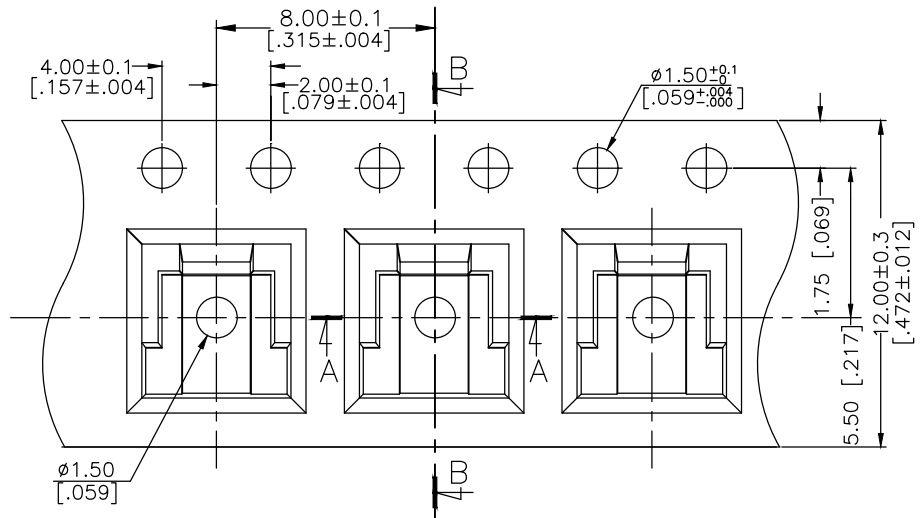
ALL RIGHTS RESERVED.

P	LTR	DESCRIPTION	DATE	DWN	APVD
-	-	SEE SHEET 1	-	-	-

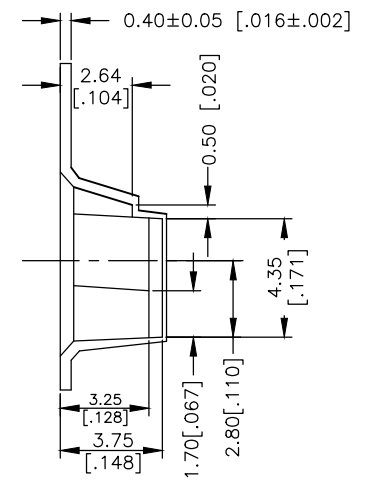
PACKAGING:

2000 SWITCHES PER REEL

THE DIMENSION OF CARRIER TAPE, COVER TAPE AND REEL

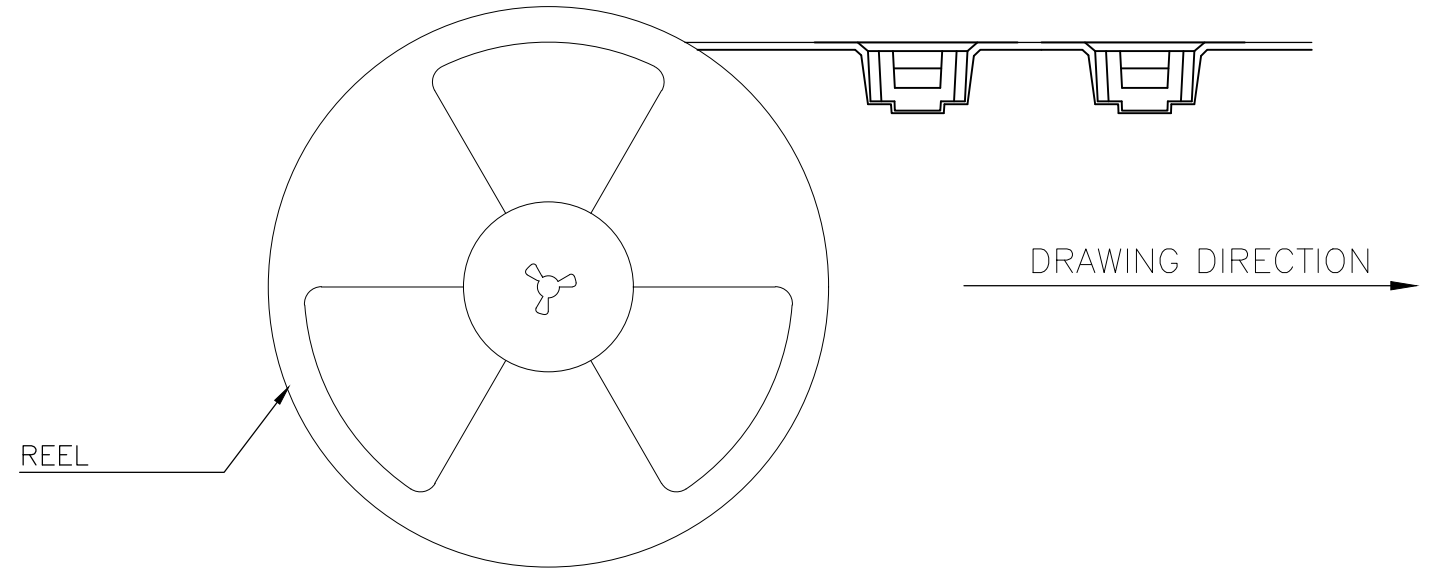
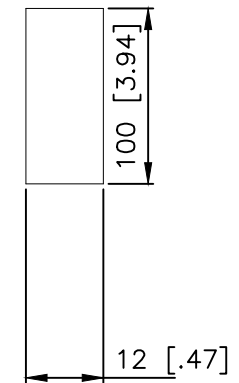
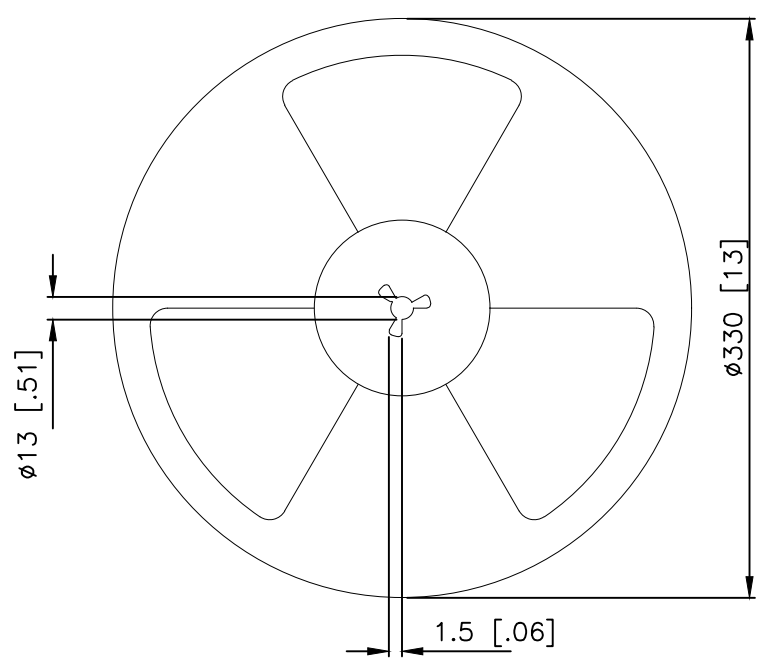
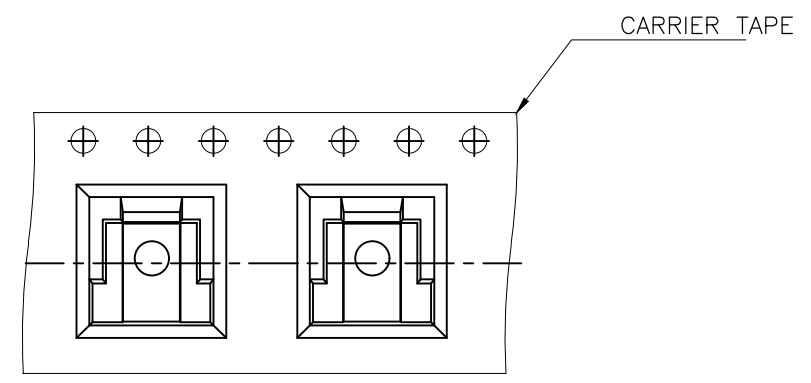


Section A-A



Section B-B

THE DIRECTION OF PILOT HOLES



THIS DRAWING IS A CONTROLLED DOCUMENT.		DWN GANESH C M 07MAR2018	TE Connectivity Ltd.			
DIMENSIONS: mm [INCHES]		CHK ALEXANDER SHARPE 07MAR2018				NAME
TOLERANCES UNLESS OTHERWISE SPECIFIED:		APVD ALEXANDER SHARPE 07MAR2018	SWITCH, DETECTOR, JJD SERIES, 4.2X3.6mm			
0 PLC ± - 1 PLC ± - 2 PLC ± 0.20 [.008] 3 PLC ± - 4 PLC ± - ANGLES ± -		PRODUCT SPEC	VER ACTUATION, DOWN, SMT, POSTS			
MATERIAL		APPLICATION SPEC	FLAT TERM			
FINISH		WEIGHT	SIZE A3	CAGE CODE 00779	DRAWING NO C-2331412	RESTRICTED TO
		CUSTOMER DRAWING	SCALE NTS	SHEET 3 OF 3	REV A	