

F-360U

Electrical Specifications (@25C)

1. Maximum Power: 78 VA
2. Primary: 115/230V @ 50/60 Hz
3. Secondaries: 0-6.5/13/19.5/26V @ 3 Amps

Description:

The F-360U is a chassis mount power transformer that was designed with multiple secondaries to give the user maximum flexibility.

Safety:

These products are 100% hi-pot tested with an insulation of 1500V between primary and secondary windings as well as between the primary / secondary windings and the core.

Dimensions:

Units: In inches

H	W	D	MW	MD
3.375	2.812	2.625	2.25	2.125

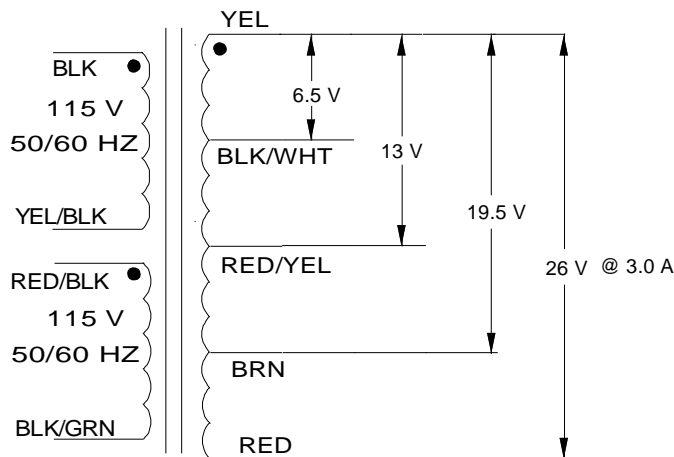
Weight: 3.5 lbs

All Leads 7.0" ± 1.0"

Skin & Tin: 1/4" ± 1/16"

For Input (115V): BLK and RED/BLK to YEL/BLK and BLK/GRN

For Input (230V): BLK to BLK GRN, Tie YEL/BLK to RED/BLK



Technical note: Primary windings are designed to be connected in series or parallel.

RoHS Compliance: As of manufacturing date February 2016, all standard products meet the requirements of 2015/863/EU, known as the RoHS 3 initiative.

* Upon printing, this document is considered "uncontrolled". Please contact Triad Magnetics' website for the most current version.

