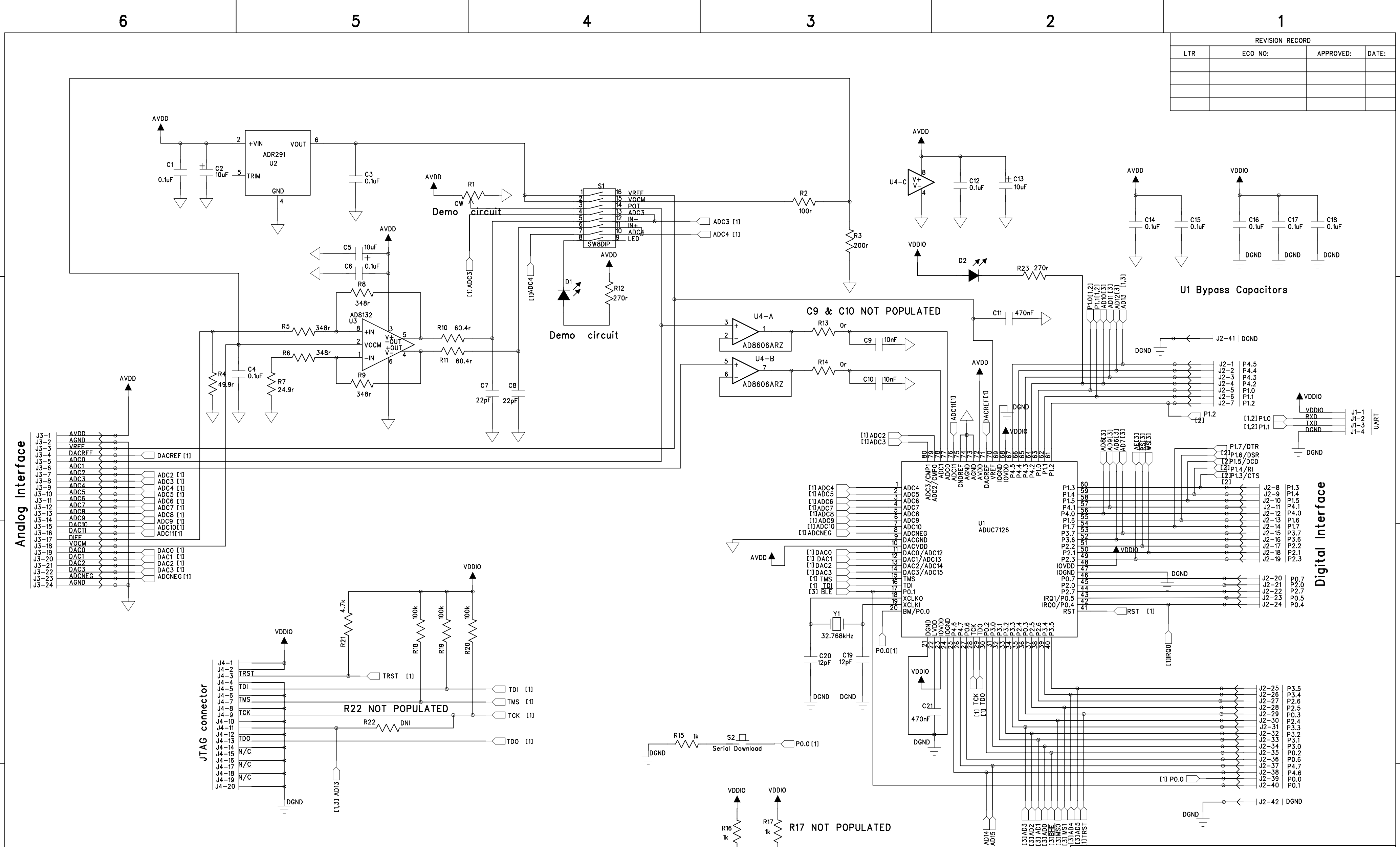


REVISION RECORD			
LTR	ECO NO:	APPROVED:	DATE:



COMPANY: ADI
TITLE: EVAL-ADUC7126

DRAWN:	DATED:
CHECKED:	DATED:
QUALITY CONTROL:	DATED:
RELEASED:	DATED:

CODE:	SIZE:	DRAWING NO:	REV: A
SCALE:			SHEET: 1 OF 3

6

5

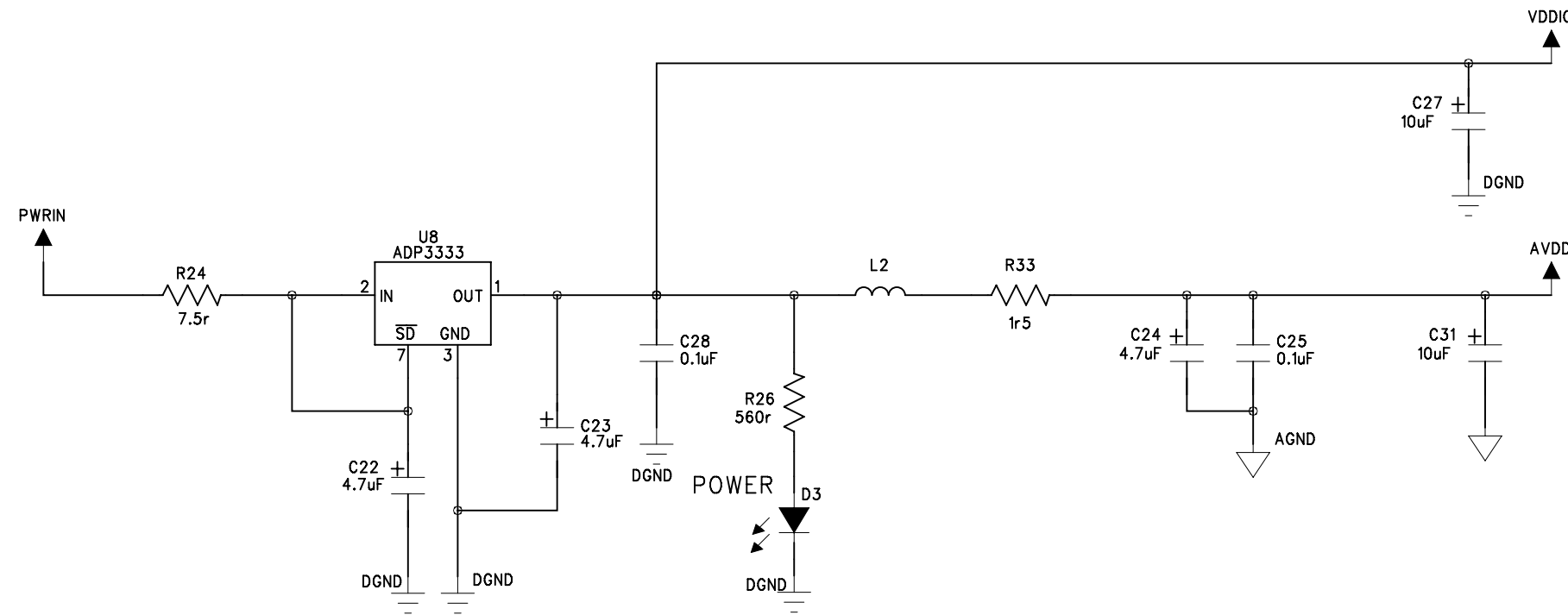
4

3

2

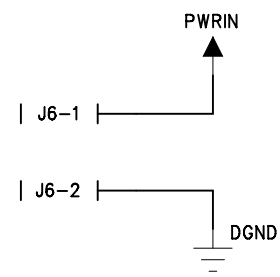
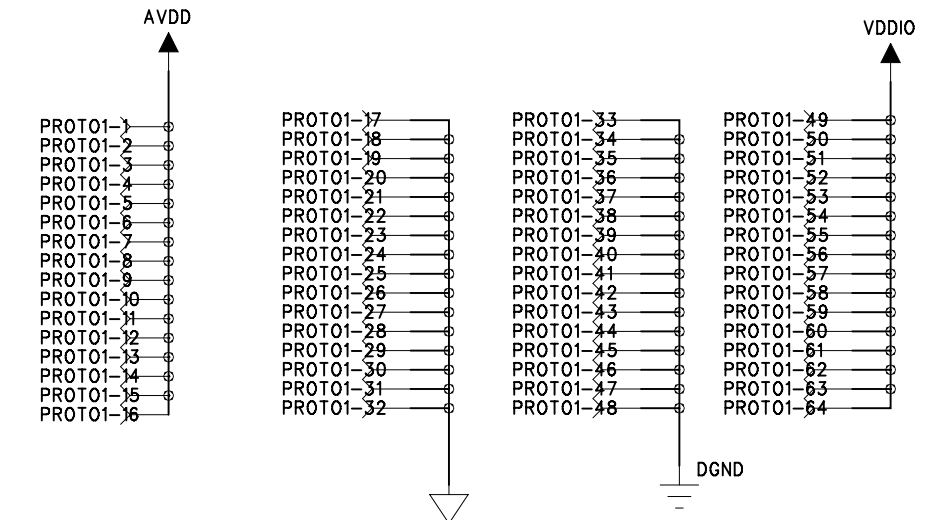
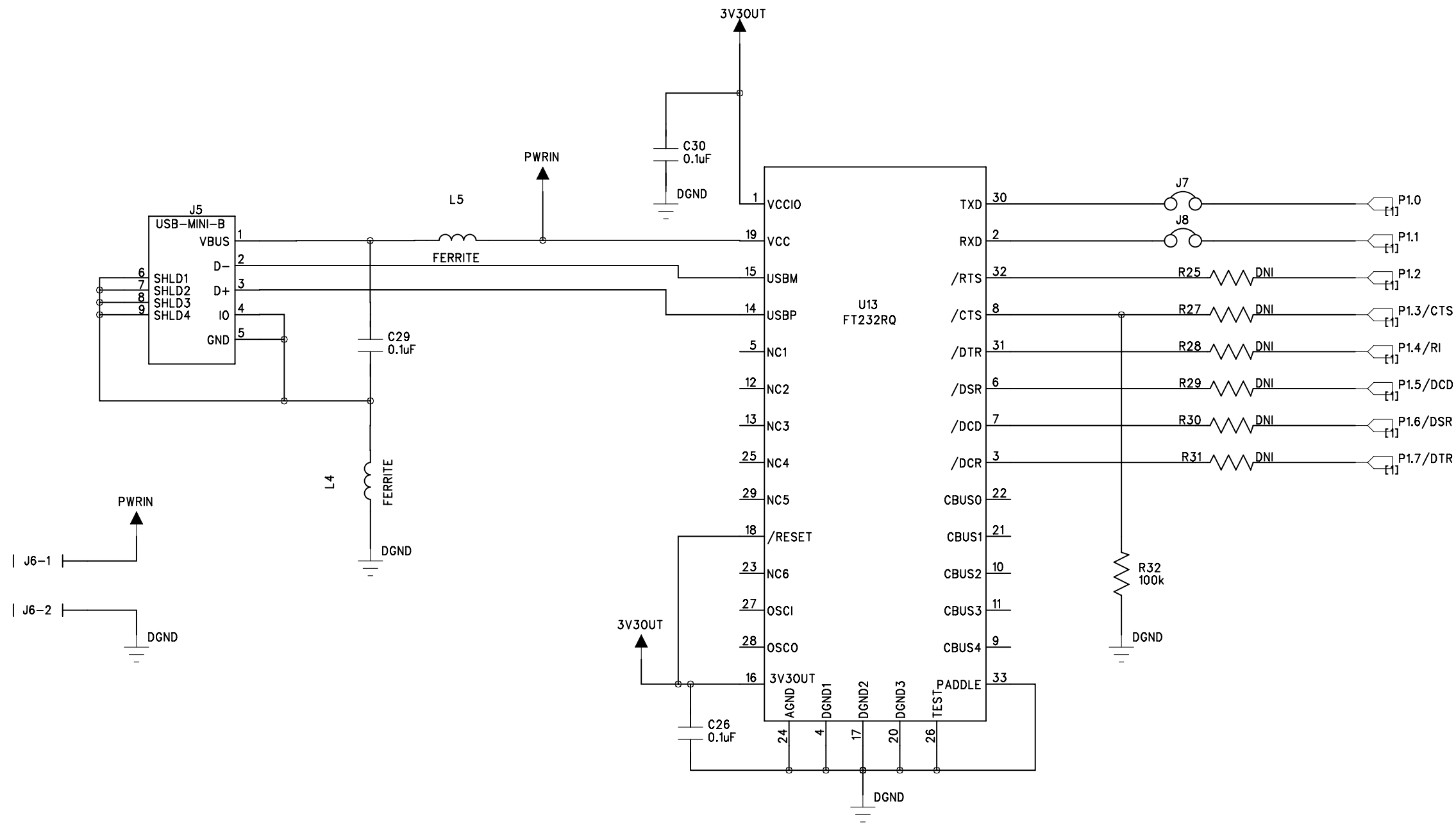
1

REVISION RECORD			
LTR	ECO NO:	APPROVED:	DATE:



S028WM_NB
U6_1

S028WM_NB
U7_1



COMPANY: ADI			
TITLE: EVAL-ADUC7126			
CODE:	SIZE:	DRAWING NO:	REV: A
SCALE:			SHEET: 2 OF 3

DRAWN:	DATED:
CHECKED:	DATED:
QUALITY CONTROL:	DATED:
RELEASED:	DATED:

D

D

C

C

B

B

A

A

6

5

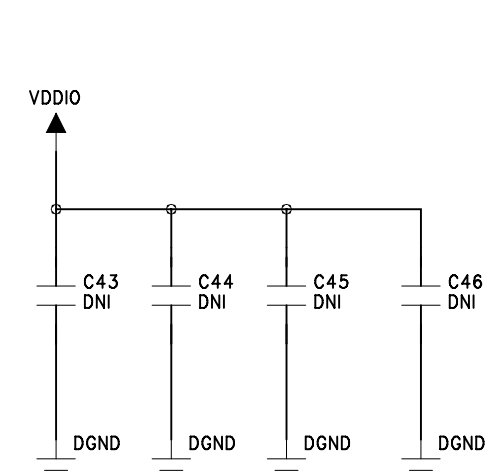
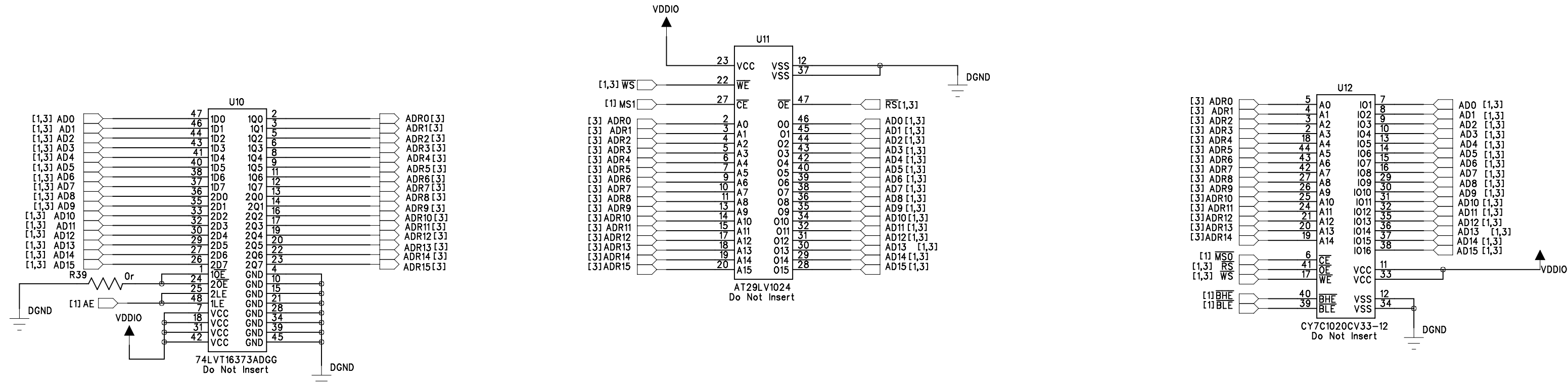
4

3

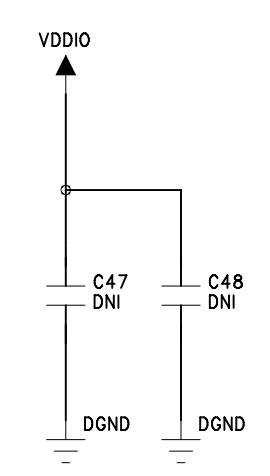
2

1

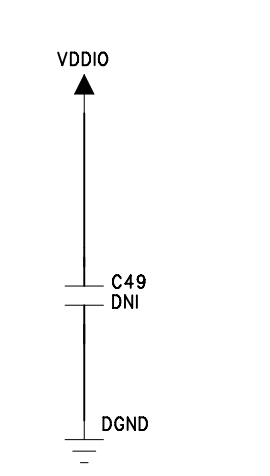
REVISION RECORD			
LTR	ECO NO:	APPROVED:	DATE:



U10 Decoupling Capacitors



U12 Decoupling Capacitors



U11 Decoupling Capacitors

COMPANY: ADI			
TITLE: EVAL-ADUC7126			
DRAWN:	DATED:	CODE:	SIZE:
CHECKED:	DATED:	DRAWING NO:	
QUALITY CONTROL:	DATED:	REV: A	
RELEASED:	DATED:	SCALE:	