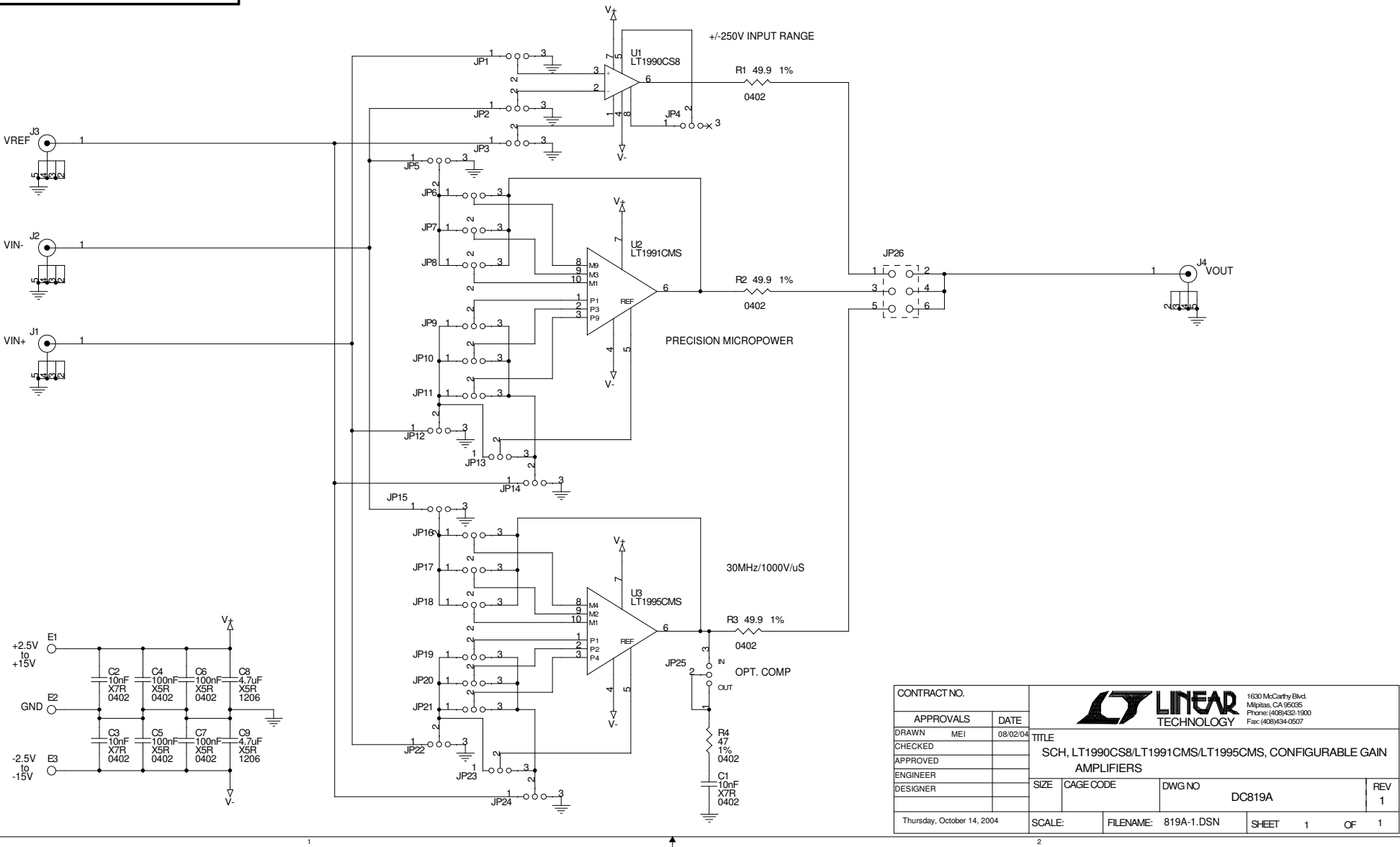



This circuit is proprietary to Linear Technology and supplied for use with Linear Technology parts.

**Customer Notice:** Linear Technology has made a best effort to design a circuit that meets customer-supplied specifications; however, it remains the customer's responsibility to verify proper and reliable operation in the actual application, Component substitution and printed circuit board layout may significantly affect circuit performance or reliability. Contact Linear Applications Engineering for assistance.

REVISION HISTORY				
ECO	REV	DESCRIPTION	DATE	APPROVED
	1	PROTO	08/02/04	



CONTRACT NO.		 1630 McCarthy Blvd. Milpitas, CA 95035 Phone: (408)432-1900 Fax: (408)434-0507		
APPROVALS	DATE			
DRAWN ME1	08/02/04	TITLE		
CHECKED		SCH, LT1990CS8/LT1991CMS/LT1995CMS, CONFIGURABLE GAIN AMPLIFIERS		
APPROVED		SIZE	CAGE CODE	DWG NO
ENGINEER				DC819A
DESIGNER				REV 1
Thursday, October 14, 2004		SCALE:	FILENAME: 819A-1.DSN	SHEET 1 OF 1