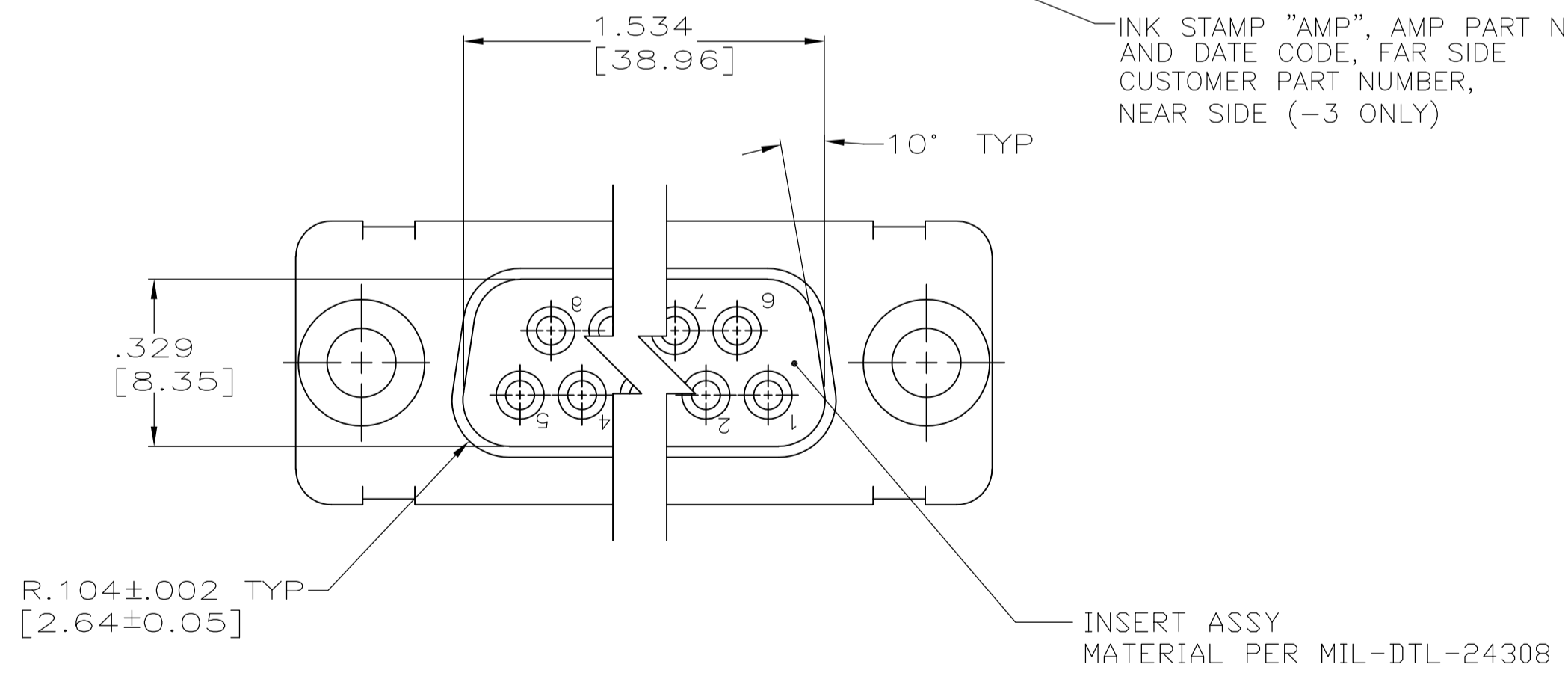
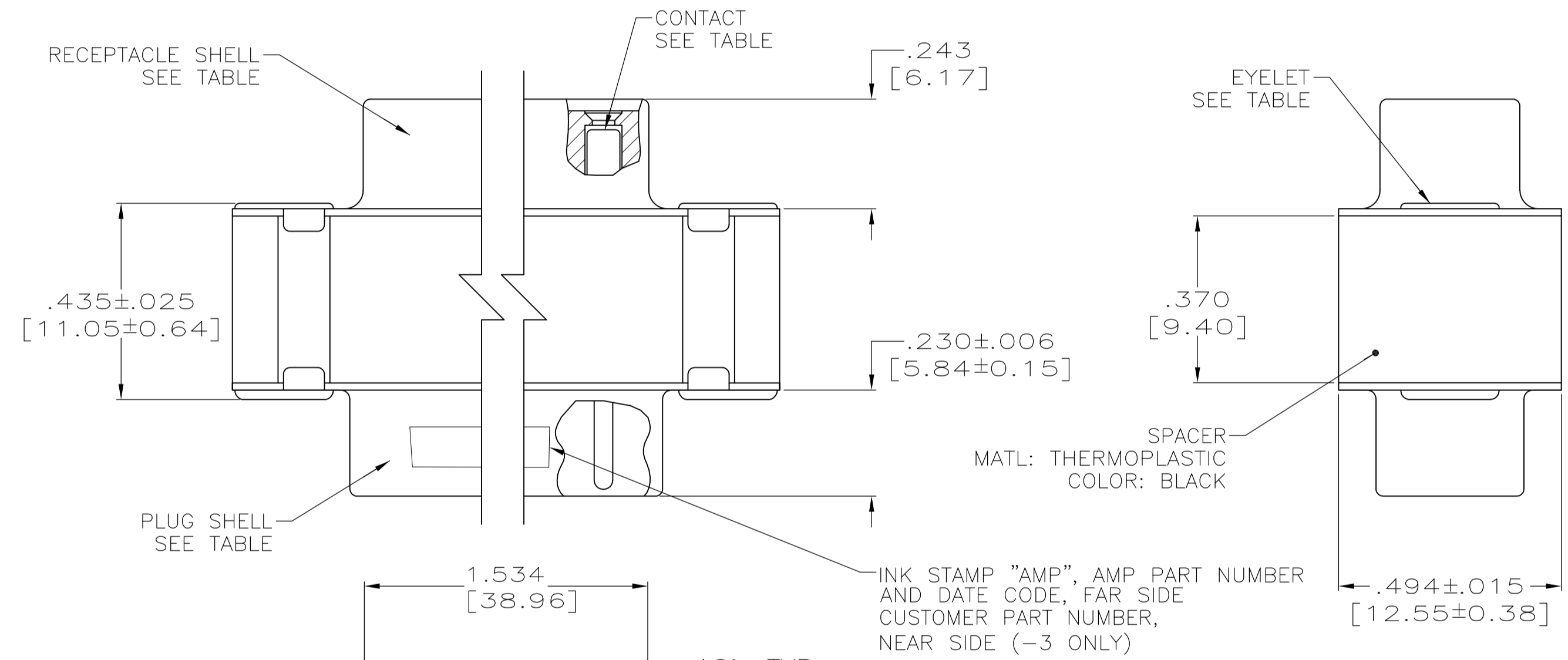
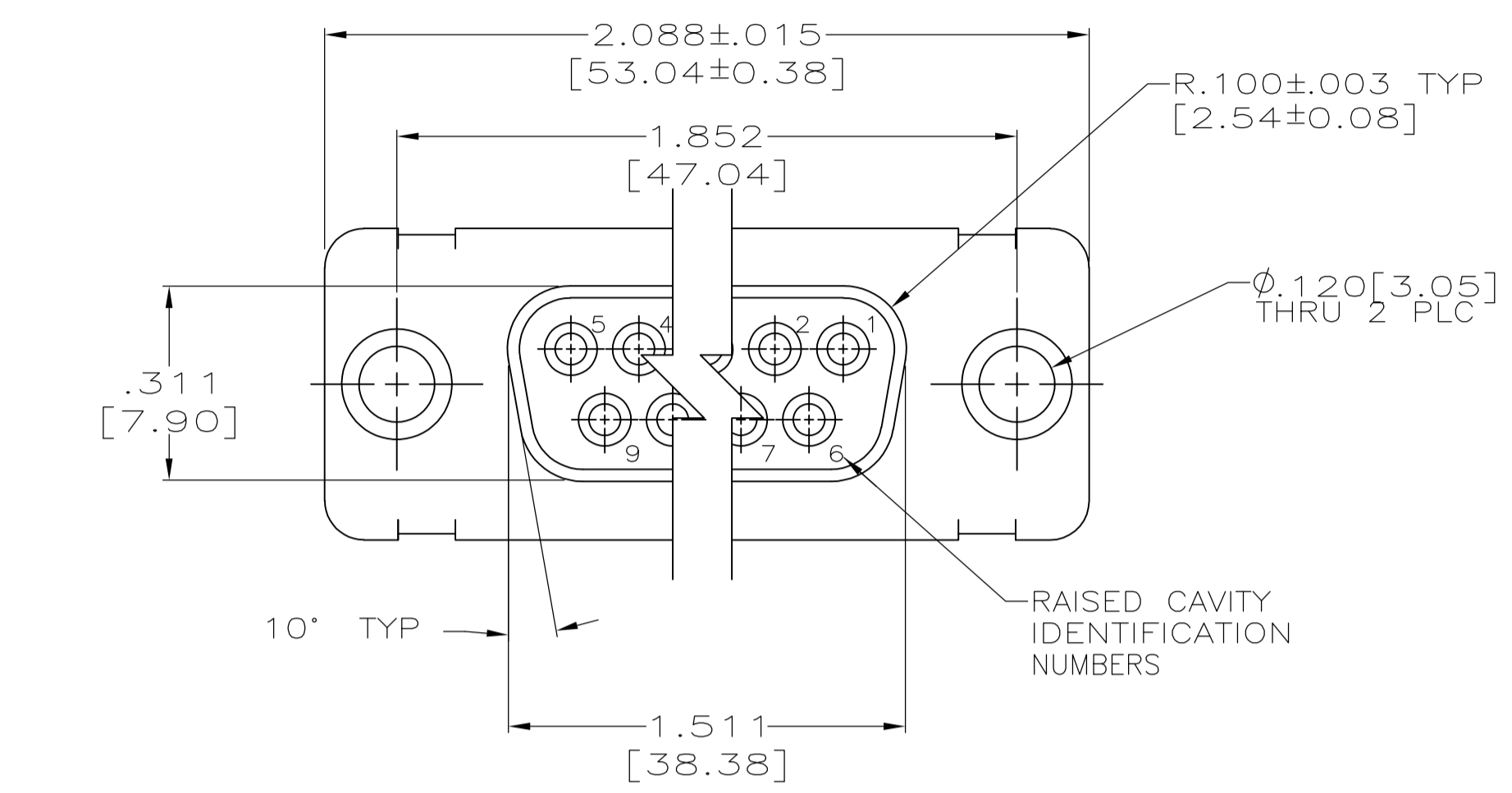
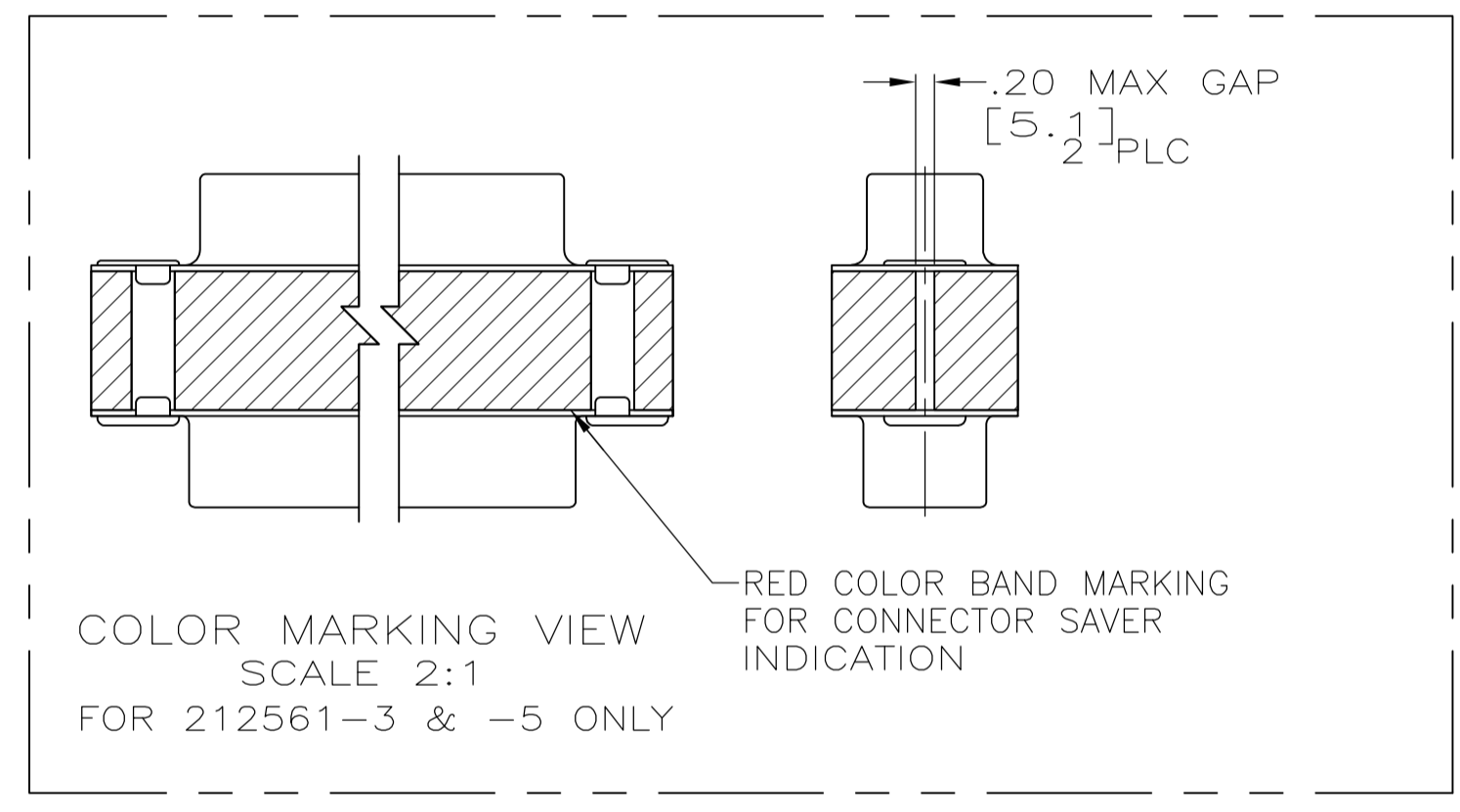


REVISIONS					
P	LTR	DESCRIPTION	DATE	DMN	APVD
S		REV PER ECO 17-000132	5-5-17	CT	DM



- CONTACTS INCLUDED IN ASSEMBLY.
 - △ MATL: STEEL, PER ASTM-A-109.
 - △ FINISH: CADIUM PER QQ-P-416.
 - △ CONTACT
 - BODY MATL: BERYLLIUM COPPER PER ASTM-B-197.
 - BODY FINISH: PLATED GOLD, .000050 MIN THK PER MIL-G-45204 OVER NICKEL, .000050 MIN THK PER QQ-N-290.
 - HOOD MATL: STAINLESS STEEL PER ASTM-A-167.
 - HOOD FINISH: PASSIVATED PER ASTM-A-380.
 - △ FINISH: PLATED ZINC .00020 MIN THK PER ASTM-B-633. YELLOW CHROMATE FINISH.
 - △ MATL: BRASS PER ASTM-B-36.
 - △ FINISH: PLATED GOLD, .000050 MIN THK PER MIL-G-45204 OVER COPPER, .000100 MIN THK PER MIL-C-14550.
 - △ CONTACT
 - BODY MATL: BERYLLIUM COPPER PER ASTM-B-197.
 - BODY AND HOOD FINISH: PLATED GOLD, .000050 MIN THK PER MIL-G-45204 OVER COPPER, .000100 MIN THK PER MIL-C-14550.
 - HOOD MATL: BRASS PER ASTM-B-36.
 - △ FINISH: PLATED ZINC PER ASTM-B-633 .000200 MIN THK WITH SUPPLEMENTARY CHROMATE (Cr3+).



△ △	△ △	△	-	5-212561-1
△ △	△ △	△	PT2-111-9	212561-6
△ △	△ △	△	4U884 SOCN R10002677-0103	212561-5
△ △	△ △	△	-	212561-4
△ △	△ △	△	(1J02-103)	212561-3
△ △	△ △	△	-	212561-2
△ △	△ △	△	-	212561-1
EYELET	SHELLS	CONTACT	CUSTOMER P/N	PART NO.

OBSOLETE

THIS DRAWING IS A CONTROLLED DOCUMENT.		DIN T. THOMPSON 11-07-94		STE TE Connectivity	
DIMENSIONS: INCHES		TOLERANCES UNLESS OTHERWISE SPECIFIED:		NAME	
<ul style="list-style-type: none"> 0 PLC ± - 1 PLC ± - 2 PLC ± - 3 PLC ± .005 [0.13] 4 PLC ± - ANGLES ± - 		<ul style="list-style-type: none"> 0 PLC ± - 1 PLC ± - 2 PLC ± - 3 PLC ± .005 [0.13] 4 PLC ± - ANGLES ± - 		CONNECTOR SAVER, AMPLIMITE 25 POSITION, SIZE 3, SERIES 109	
MATERIAL		FINISH		WEIGHT	
-		-		0.000000	
CUSTOMER DRAWING		SCALE 4:1		SHEET 1 OF 1 REV S	