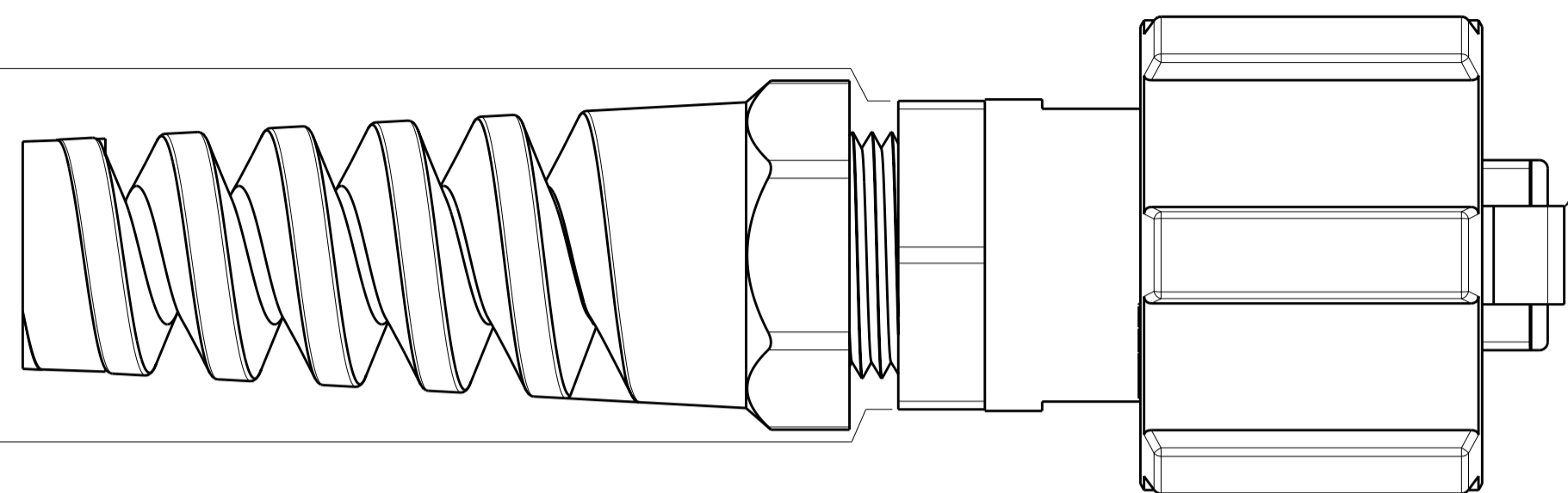


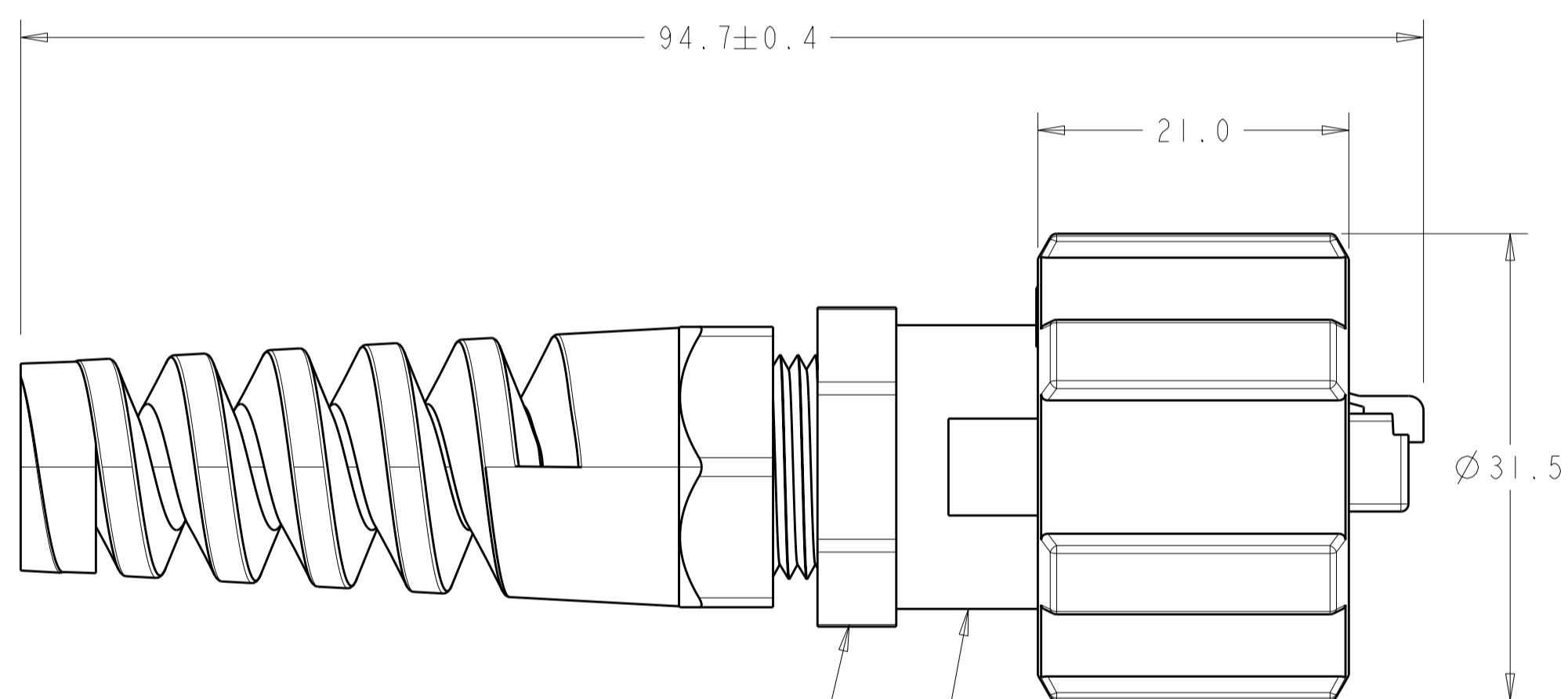
THIS DRAWING IS UNPUBLISHED. RELEASED FOR PUBLICATION 20
 © COPYRIGHT 20 BY TYCO ELECTRONICS CORPORATION. ALL RIGHTS RESERVED.

LOC	DIST	REVISIONS			
P	LTR	DESCRIPTION	DATE	DWN	APVD
FT	0		25JUL2008	SS	MS

19.0 REF
HEX FLATS



MODULAR PLUG ASSEMBLY
 RJ-45, 8 POSITION-SEE TABULATION BELOW
 HOUSING - CLEAR POLYCARBONATE
 CONTACTS - PHOSPHOR BRONZE, GOLD OVER NICKEL
 SHIELD - COPPER ALLOY W/ SEMI-BRIGHT NICKEL PLATE (-3 & -4 ONLY)

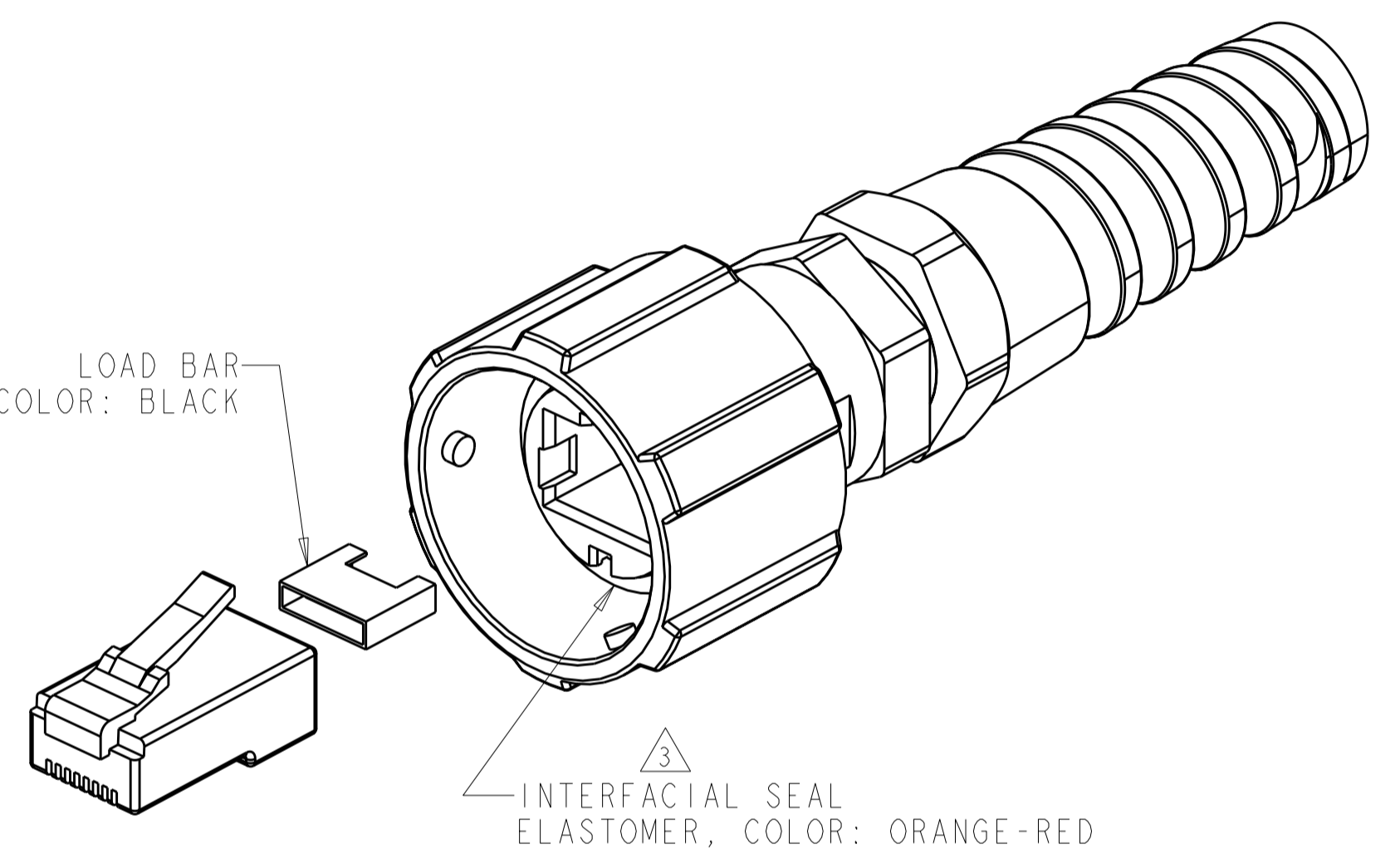


1 FLEX NUT
 POLYAMIDE AND ELASTOMER
 COLOR: BLACK

PLUG HOUSING
 POLYESTER, COLOR: BLACK

COUPLING RING
 POLYESTER, COLOR: BLACK

LOAD BAR
 POLYESTER, COLOR: BLACK



3 INTERFACIAL SEAL
 ELASTOMER, COLOR: ORANGE-RED

SCALE 2:1

- 1 CABLE DIAMETER RANGE, 4.9 mm TO 7.9 mm, CABLE FITTING ONLY, SEE APPLICATION SPECIFICATION FOR PLUG TERMINATION INFORMATION
- 2. PARTS PACKAGED UNASSEMBLED IN POLYBAG.
- 3 ELASTOMER SEAL IS SECURED TO HOUSING WITH ADHESIVE.

THIS PRINT IS
PRELIMINARY
 UNQUALIFIED PRODUCT
 CONTACT PRODUCT ENGINEERING
 BEFORE USING THIS PRINT

UNSHIELDED	24 AWG STRANDED	1986456-2
	24 AWG SOLID	1986456-1
DESCRIPTION	CONDUCTOR TYPE	PART NUMBER

THIS DRAWING IS A CONTROLLED DOCUMENT FOR TYCO ELECTRONICS CORPORATION. IT IS SUBJECT TO CHANGE AND THE CONTROLLING ENGINEERING ORGANIZATION SHOULD BE CONTACTED FOR THE LATEST REVISION.		DWN S. SCHLEGEL 25JUL2008	Tyco Electronics Harrisburg, PA 17105-3608	
DIMENSIONS: mm		CHK M. STRECKEWALD 25JUL2008	NAME PLUG ASSEMBLY, FLEX NUT INDUSTRIAL CIRCULAR ETHERNET CONNECTOR	
TOLERANCES UNLESS OTHERWISE SPECIFIED: 0 PLC ±0.3 1 PLC ±0.2 2 PLC ±0.10 3 PLC ± 4 PLC ± ANGLES ±1° FINISH		APVD M. STRECKEWALD 25JUL2008	PRODUCT SPEC 108-2198	
MATERIAL		APPLICATION SPEC 114-13136	SIZE A2	CAGE CODE 00779
		WEIGHT -	DRAWING NO 1986456	RESTRICTED TO -
		CUSTOMER DRAWING	SCALE 5:2	SHEET OF REV