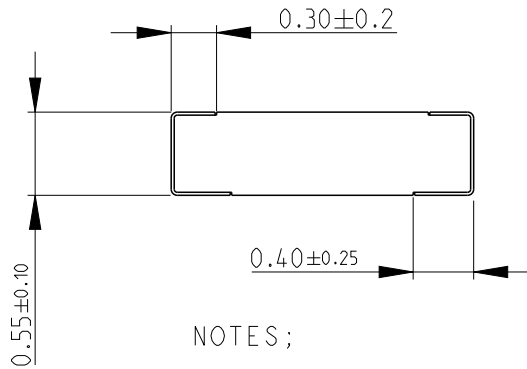
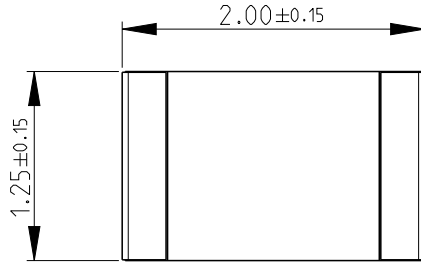


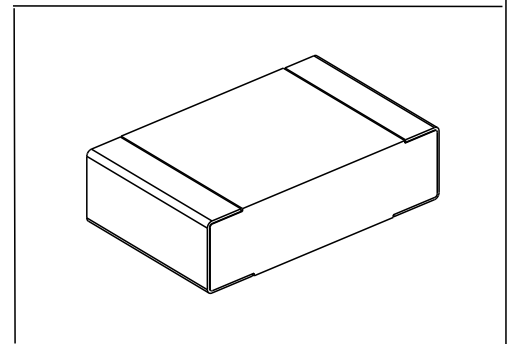
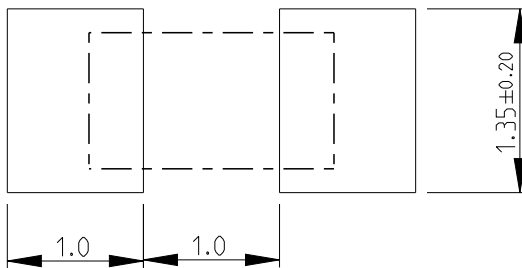
REVISIONS					
P	LTR	DESCRIPTION	DATE	DWN	APVD
	BC1	ECR-15-002767	21FEB2015	KR	TN



NOTES;

- 1) FOR FURTHER INFORMATION SEE DATA SHEET FOR RN73 SERIES-HIGH PRECISION RESISTORS (SMD)
- 2) 250 PER REEL PACKING SPEC NO LONGER AVAILABLE

RECOMMENDED LAND PATTERN



2010


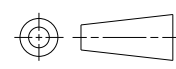
RELEASED FOR PUBLICATION

ALL RIGHTS RESERVED.

THIS DRAWING IS UNPUBLISHED.

BY -

© COPYRIGHT 2010

DIMENSIONS: mm		DWN PARUSURAM.T 09NOV2010	MATERIAL -	FINISH -			
TOLERANCES UNLESS OTHERWISE SPECIFIED:		CHK ALLAN.P 09NOV2010	 TE Connectivity				
0 PLC ±0.2	1 PLC ±0.1	APVD STEPHEN.P 09NOV2010					
2 PLC ±	3 PLC ±	PRODUCT SPEC	NAME HIGH PRECISION RESISTORS (SMD) SERIES RN73 2A				
4 PLC ±	ANGLES ±5°	APPLICATION SPEC	SIZE A4	CAGE CODE 00779	DRAWING NO C-1676209	RESTRICTED TO -	
		WEIGHT -	Customer Drawing		SCALE 20:1	SHEET 1 OF 1	REV BC1