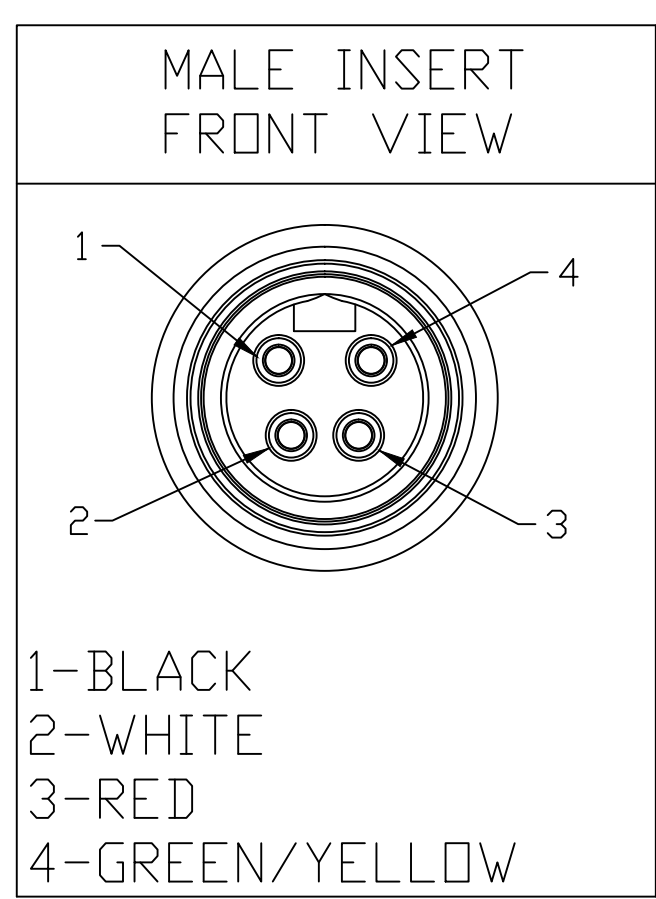
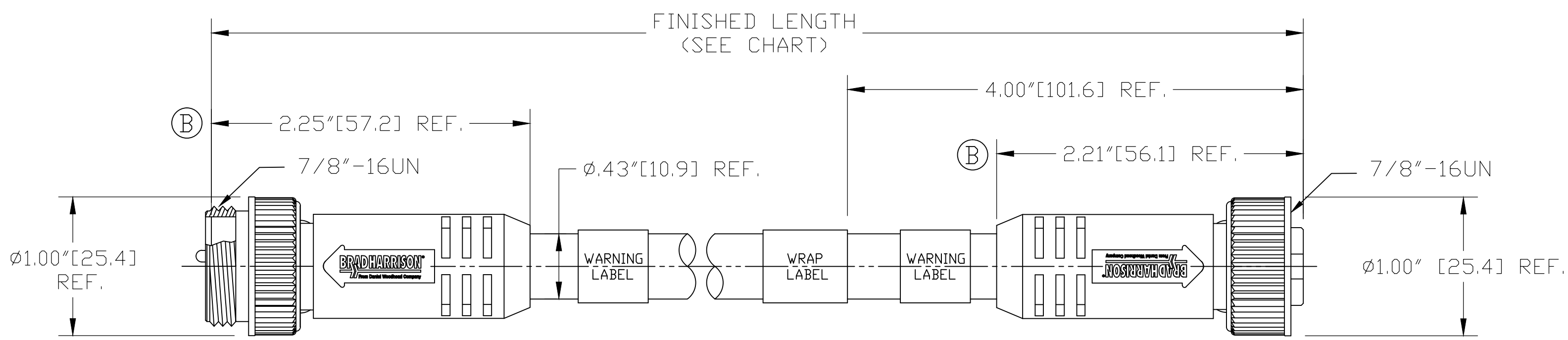


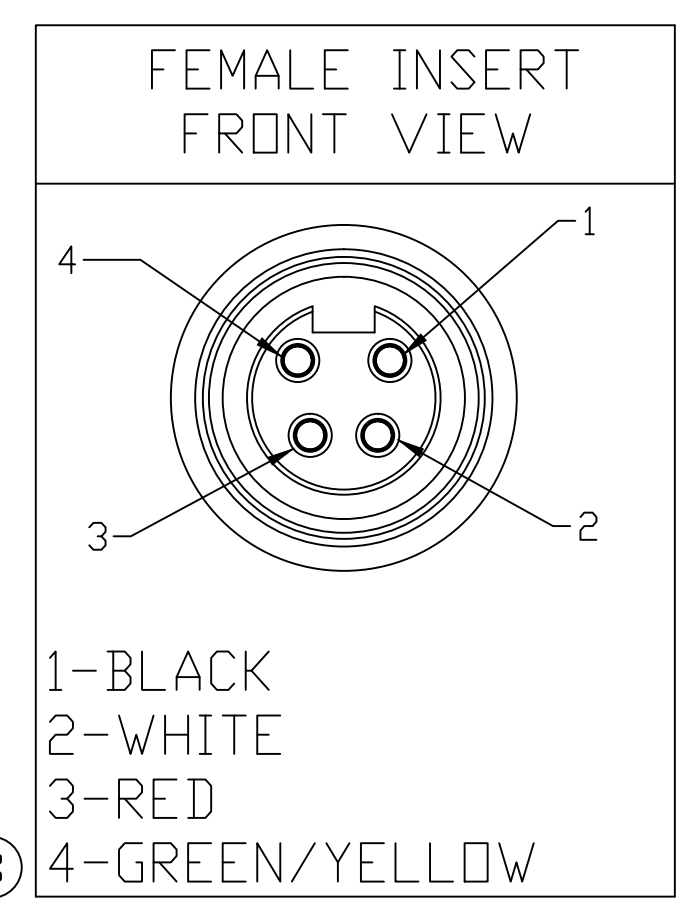
13	12	11	10	9	8	7	6	5	4	3	2	1
MATERIAL NUMBER	OLD PART NUMBER	FINISHED LENGTH										
130062-0088	114030A45M020	6.56' +3.50" -0 [2.0M +88.9mm -0]										



114030A45M020

Cable type
16/4 AWG TC/ST00W
Gray PVC

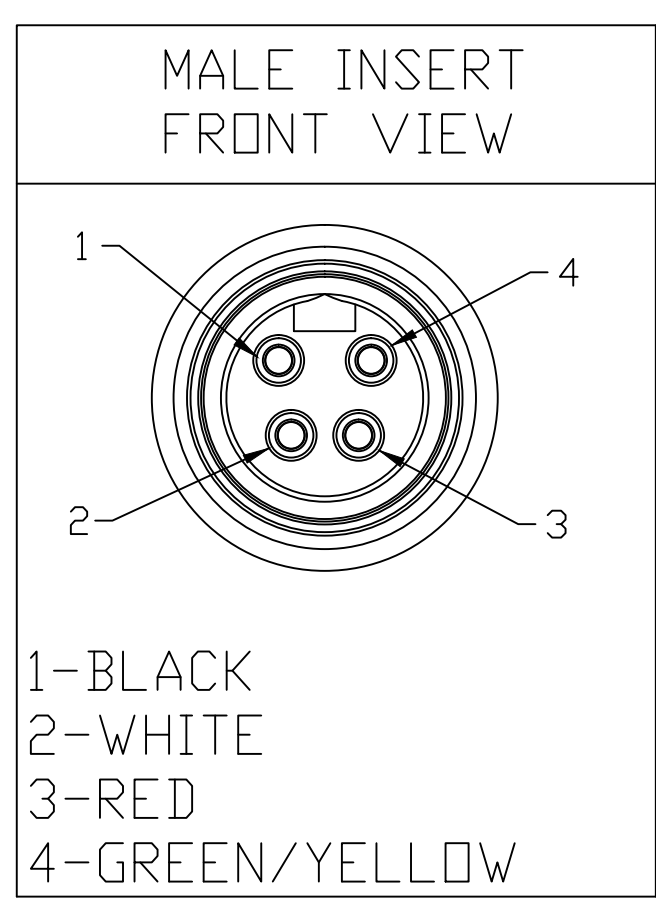
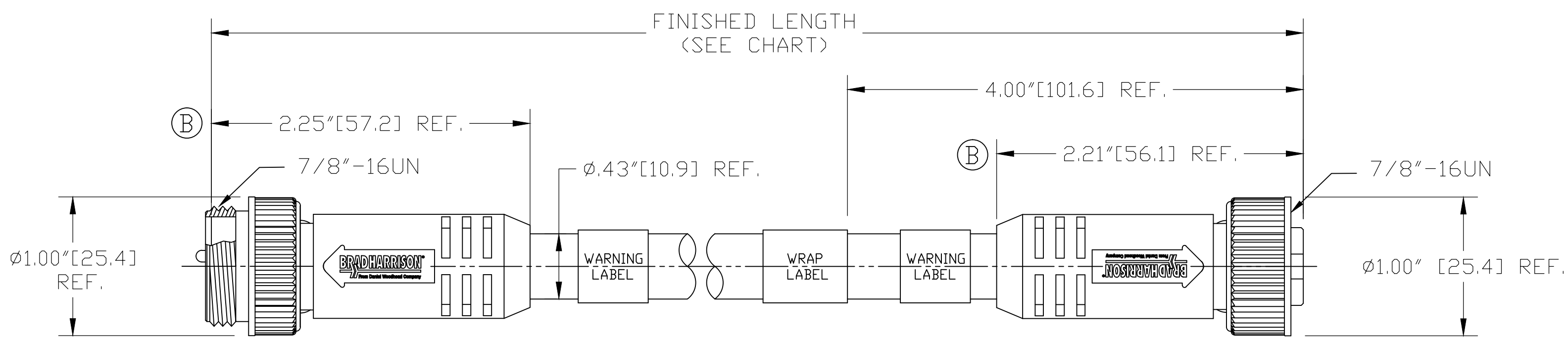
cable length
M020----2 Meter
M100----10 Meter



CONTACT:	GOLD/NICKEL OVER COPPER ALLOY
INSERT:	PVC, BLACK
COUPLING NUT:	ZINC DIE CAST, BLACK E-COATED
MOLDED BODY:	PVC, GRAY
VOLTAGE RATING:	600 VAC/VDC
AMPERAGE RATING:	10 AMPS
PROTECTION:	IP67
OPERATING TEMPERATURE:	-20°C TO 105°C
CERTIFICATIONS:	UL & CULUS LISTED, FILE NO. E258922

REMOVE GREEN WIRE, REV DIMS EC NO.: IPG2017-0162 DRWN: RSTONE 8/23/16 CH'KD: K COX 2016/08/26 APPR: BWOODMAN2013/08/14	QUALITY SYMBOL ▽=0 ▽=0	GENERAL TOLERANCES (UNLESS SPECIFIED) <table border="1"> <tr> <td></td> <td>mm</td> <td>INCH</td> </tr> <tr> <td>4 PLACES</td> <td>±---</td> <td>±---</td> </tr> <tr> <td>3 PLACES</td> <td>±---</td> <td>±---</td> </tr> <tr> <td>2 PLACES</td> <td>±---</td> <td>±.01</td> </tr> <tr> <td>1 PLACE</td> <td>±0.3</td> <td>±---</td> </tr> </table>		mm	INCH	4 PLACES	±---	±---	3 PLACES	±---	±---	2 PLACES	±---	±.01	1 PLACE	±0.3	±---	DIMENSION STYLE IN/MM DRAWN BY DATE EBRACKEN 2013/06/18 CHECKED BY DATE RSTONE APPROVED BY DATE BWOODMAN 2013/08/14	SCALE --- DESIGN UNITS INCH THIRD ANGLE PROJECTION	TITLE MINI-CHANGE ASSEMBLY 4 POLE M/MFE #16/4 GRAY PVC
		mm	INCH																	
	4 PLACES	±---	±---																	
	3 PLACES	±---	±---																	
2 PLACES	±---	±.01																		
1 PLACE	±0.3	±---																		
DRAFT WHERE APPLICABLE MUST REMAIN WITHIN DIMENSIONS	MATERIAL NO. SEE CHART	MOLEX INCORPORATED DOCUMENT NO. SD-130062-016	SHEET NO. 1 OF 1																	
SIZE C	THIS DRAWING CONTAINS INFORMATION THAT IS PROPRIETARY TO MOLEX INCORPORATED AND SHOULD NOT BE USED WITHOUT WRITTEN PERMISSION																			

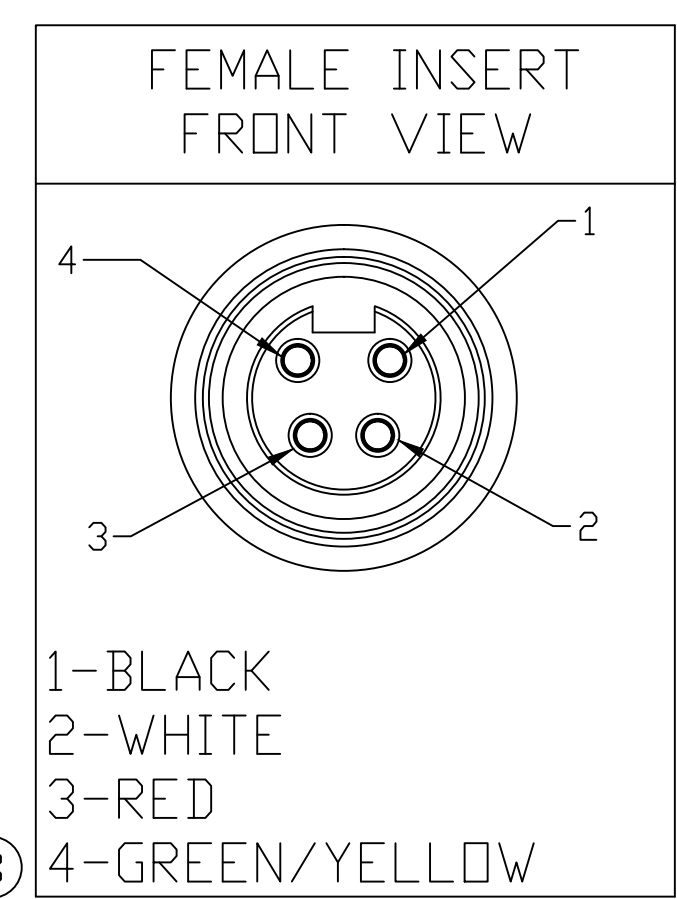
13	12	11	10	9	8	7	6	5	4	3	2	1
MATERIAL NUMBER	OLD PART NUMBER	FINISHED LENGTH										
130062-0088	114030A45M020	6.56' +3.50" -0 [2.0M +88.9mm -0]										



114030A45M020

Cable type
16/4 AWG TC/ST00W
Gray PVC

cable length
M020----2 Meter
M100----10 Meter



CONTACT:	GOLD/NICKEL OVER COPPER ALLOY
INSERT:	PVC, BLACK
COUPLING NUT:	ZINC DIE CAST, BLACK E-COATED
MOLDED BODY:	PVC, GRAY
VOLTAGE RATING:	600 VAC/VDC
AMPERAGE RATING:	10 AMPS
PROTECTION:	IP67
OPERATING TEMPERATURE:	-20°C TO 105°C
CERTIFICATIONS:	UL & CULUS LISTED, FILE NO. E258922

REMOVE GREEN WIRE, REV DIMS EC NO.: IPG2017-0162 DRWN: RSTONE 8/23/16 CH'KD: K COX 2016/08/26 APPR: BWOODMAN2013/08/14	QUALITY SYMBOL ▽=0 ▽=0	GENERAL TOLERANCES (UNLESS SPECIFIED) <table border="1"> <tr> <td></td> <td>mm</td> <td>INCH</td> </tr> <tr> <td>4 PLACES</td> <td>±---</td> <td>±---</td> </tr> <tr> <td>3 PLACES</td> <td>±---</td> <td>±---</td> </tr> <tr> <td>2 PLACES</td> <td>±---</td> <td>±.01</td> </tr> <tr> <td>1 PLACE</td> <td>±0.3</td> <td>±---</td> </tr> </table>		mm	INCH	4 PLACES	±---	±---	3 PLACES	±---	±---	2 PLACES	±---	±.01	1 PLACE	±0.3	±---	DIMENSION STYLE IN/MM	SCALE --- DESIGN UNITS INCH	THIRD ANGLE PROJECTION
		mm	INCH																	
	4 PLACES	±---	±---																	
	3 PLACES	±---	±---																	
2 PLACES	±---	±.01																		
1 PLACE	±0.3	±---																		
		DRAWN BY DATE EBRACKEN 2013/06/18	CHECKED BY DATE RSTONE ----	TITLE MINI-CHANGE ASSEMBLY 4 POLE M/MFE #16/4 GRAY PVC																
		APPROVED BY DATE BWOODMAN 2013/08/14	MATERIAL NO. SEE CHART	DOCUMENT NO. SD-130062-016	SHEET NO. 1 OF 1															
		DRAFT WHERE APPLICABLE MUST REMAIN WITHIN DIMENSIONS	SIZE C	THIS DRAWING CONTAINS INFORMATION THAT IS PROPRIETARY TO MOLEX INCORPORATED AND SHOULD NOT BE USED WITHOUT WRITTEN PERMISSION																