

6

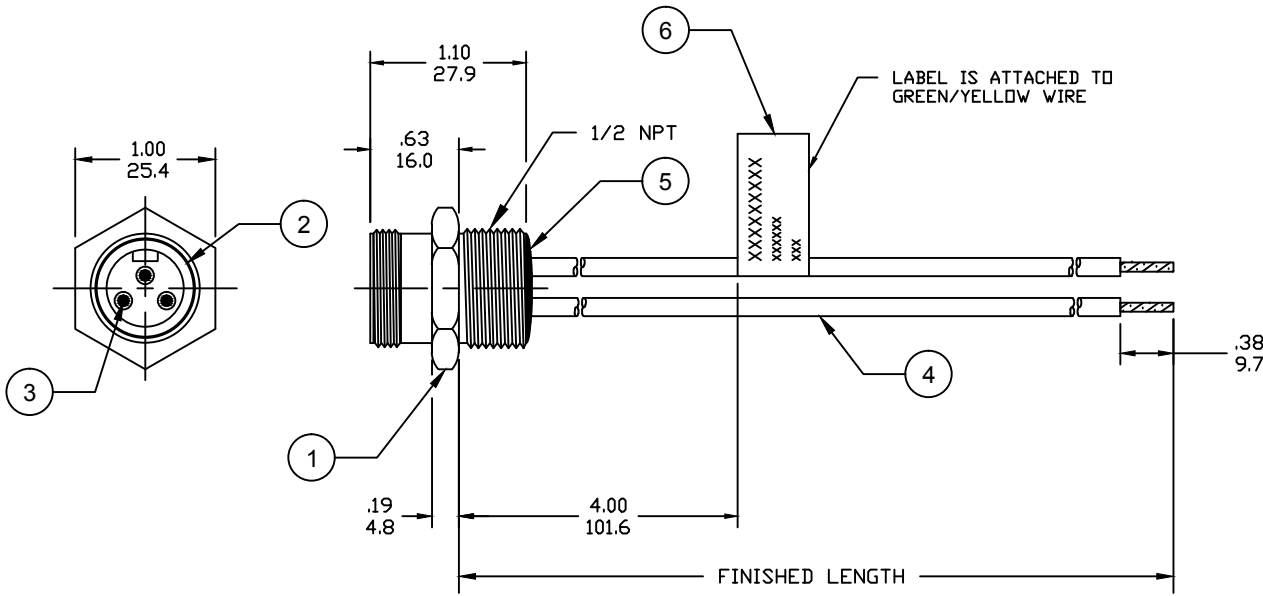
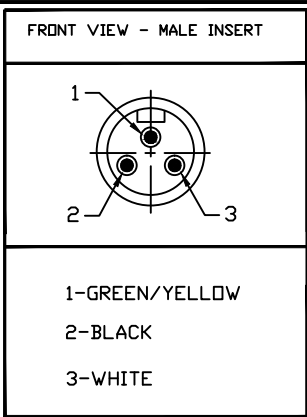
5

4

3

2

1

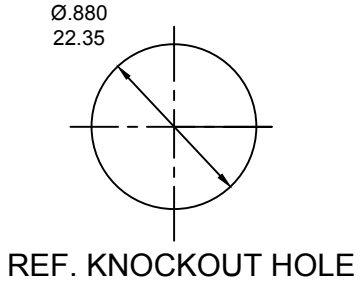


- NOTES:
1. MATERIAL: AS NOTED
  2. FINISH: AS NOTED
  3. ELECTRICAL:  
VOLTAGE: 400V PER IEC60664  
600V PER UL2237  
CURRENT: 13A
  4. TEMP RATING: -20°TO +90°C
  5. PROTECTION: IP67 (WHEN MATED)
  6. COUPLING THREAD: 7/8-16UN
  7. ALL DIMS ARE FOR REFERENCE UNLESS NOTED OTHERWISE

PART NUMBER LEGEND

1R3006A20M005G

FINISHED LENGTH:  
M005= 0.5 METER  
M010= 1 METER  
M100= 10 METER



A

6	FLAG LABEL	VINYL	BLACK/YELLOW
5	POTTING MATERIAL	EPDXY	
4	WIRE, 16 AWG (UL1015)	PVC INSUL	SEE FACE VIEW
3	CONTACT PIN	COPPER ALLDY	GOLD PLATED
2	MALE INSERT	PVC	BLACK
1	RECEPTACLE SHELL	ZINC DIE-CAST	BLACK
ITEM	DESCRIPTION	MATERIAL	FINISH

RELEASED	EC NO: IPC2017-0655
DRWN: RSTONE	2017/01/11
CHKD: M ZIELIN	2017/01/26
APPR: BWOODMAN	2017/01/26
REV	DESCRIPTION
A	

QUALITY SYMBOLS
▽=0
▽C=0

GENERAL TOLERANCES (UNLESS SPECIFIED)	DIMENSION STYLE INCH/MM
4 PLACES ±---	DRAWN BY DATE
3 PLACES ±---	RSTONE 2017/01/11
2 PLACES ±---	CHECKED BY DATE
1 PLACE ±---	M ZIELIN 2017/01/26
ANGULAR ±---°	APPROVED BY DATE
	BWOODMAN 2017/01/26
DRAFT WHERE APPLICABLE MUST REMAIN WITHIN DIMENSIONS	MATERIAL NO. ---
	SIZE A

SCALE ---	DESIGN UNITS INCH	THIRD ANGLE PROJECTION
TITLE		
MINI-CHANGE RECEPTACLE MALE, 3P, 16 AWG 1/2 NPT, AC COLOR		
MOLEX MOLEX INCORPORATED		
DOCUMENT NO. SD-130066-081		SHEET NO. 1 OF 1

THIS DRAWING CONTAINS INFORMATION THAT IS PROPRIETARY TO MOLEX INCORPORATED AND SHOULD NOT BE USED WITHOUT WRITTEN PERMISSION

6

5

4

3

2

1