

B043000N2XX

SERIES _____
 B04= FORM A
 POLES _____
 2= 2 POLE & 3= 3 POLE
 CURVED BASE DIAMETER _____
 000= FLAT
 MATERIAL AND HOUSING COLOUR _____
 N= BLACK PA6 W= BLACK V0 PA6

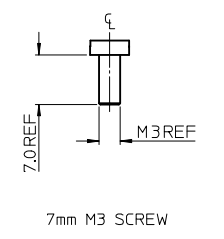
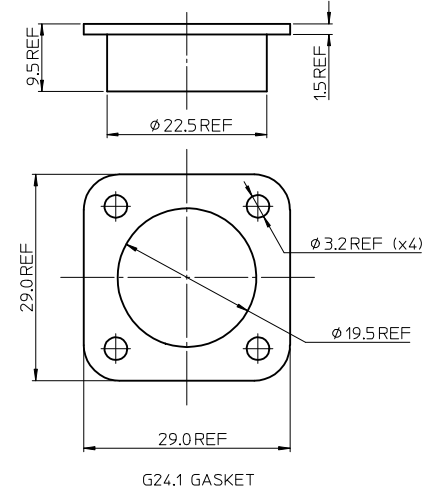
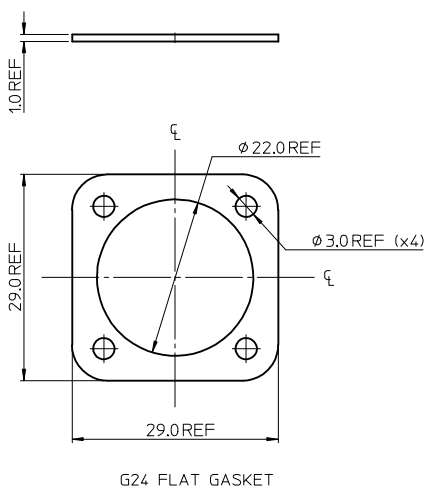
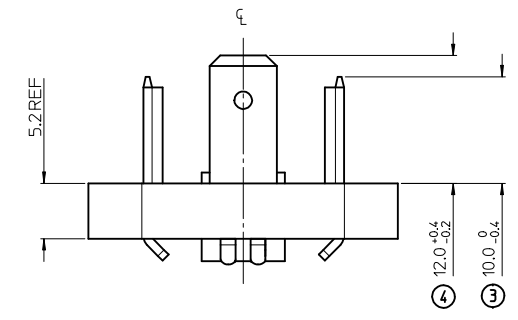
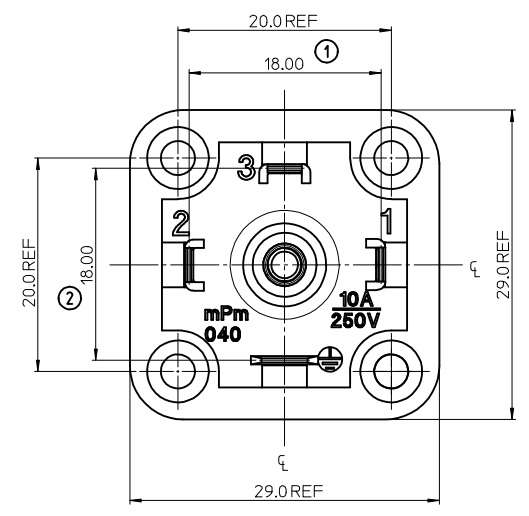
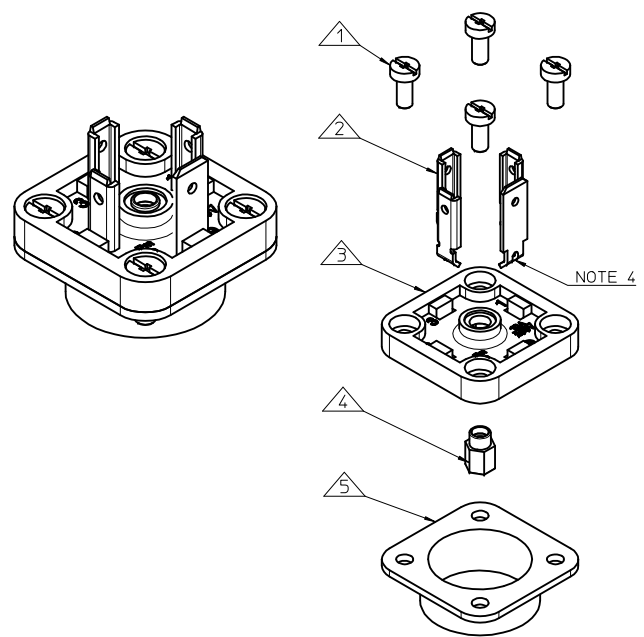
SCREW AND GASKET _____
 2= NBR GASKET & SCREWS
 3= SILICONE GASKET & SCREWS
 ADDITIONAL NOTES _____
 SA= UL APPROVED

NOTES
 1. PLEASE SEE TABLE FOR CURRENTLY CONFIGURED PART NUMBERS.
 FOR SPECIFIC PART NUMBERS PLEASE CONTACT SALES OR CONSULT
 THE INTELLIGENT PART NUMBERS IN THE TABLE ATTACHED.
 2. FOR PACKAGING SEE PACKAGING SPEC PK-121013-B04
 3. PRODUCT SPEC: SEE PS-12101-001
 4. TERMINALS BENT AFTER INSERTION, FOR BEND ANGLE SEE TABLE

LAST INSPECTION NUMBER 4

PART NO.	mPm NO.	DESCRIPTION	TERMINAL BEND ANGLE
1210120001	B042000N2	TYPE A 2P+T BLACK, NBR G24.1 GASKET AND SCREWS	45°
1210120002	B042000W2	TYPE A 2P+T BLACK V0, NBR G24.1 GASKET AND SCREWS	45°
1210120003	B043000N2	TYPE A 3P+T BLACK, NBR FLAT G24 GASKET AND SCREWS	45°
1210120004	B043000W3	TYPE A 3P+T BLACK V0, SILICONE G24.1 GASKET AND SCREWS	45°
1210120188	B043000W2SA	TYPE A 3P+T BLACK V0, NBR FLAT G24 GASKET AND SCREWS	45°

ITEM	DESCRIPTION
1	SCREWS
2	TERMINALS
3	HOUSING
4	INSERT
5	GASKET



ADD P/N EC NO: IFC2015-1229 DRWN: POWMER 2015/01/08 CHKD: APPR: STGRIFFIN 2015/01/28	QUALITY SYMBOLS ▽=0 ▽=0	GENERAL TOLERANCES (UNLESS SPECIFIED) mm INCH 4 PLACES ± --- ± --- 3 PLACES ± --- ± --- 2 PLACES ± 0.10 ± --- 1 PLACE ± 0.20 ± --- ANGULAR ± 2°	DIMENSION STYLE MM ONLY	SCALE 2:1	DESIGN UNITS METRIC	THIRD ANGLE PROJECTION	
	DRAWN BY OSHEA 2013/01/29	DATE 2013/01/29	TITLE B04 SERIES BASE				
	CHECKED BY SMCREEVY 2013/01/31	DATE 2013/01/31	APPROVED BY STGRIFFIN 2013/02/11				
	MATERIAL NO.		MOLEX INCORPORATED		DOCUMENT NO. SD-121012-010		SHEET NO. 1 OF 1

DRAFT WHERE APPLICABLE MUST REMAIN WITHIN DIMENSIONS

SEE TABLE

THIS DRAWING CONTAINS INFORMATION THAT IS PROPRIETARY TO MOLEX INCORPORATED AND SHOULD NOT BE USED WITHOUT WRITTEN PERMISSION