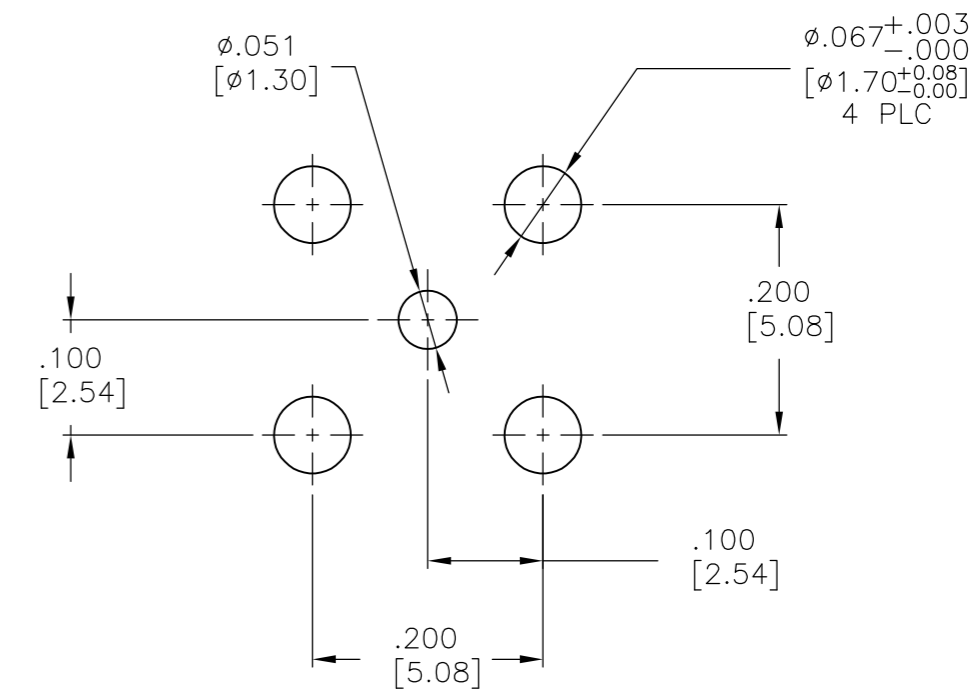
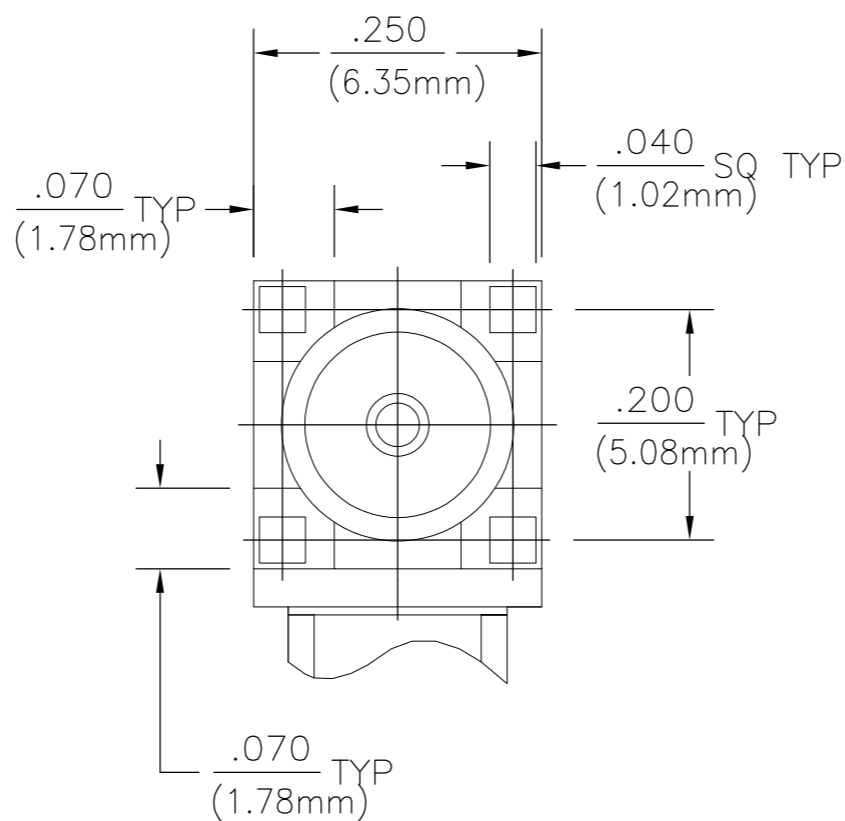
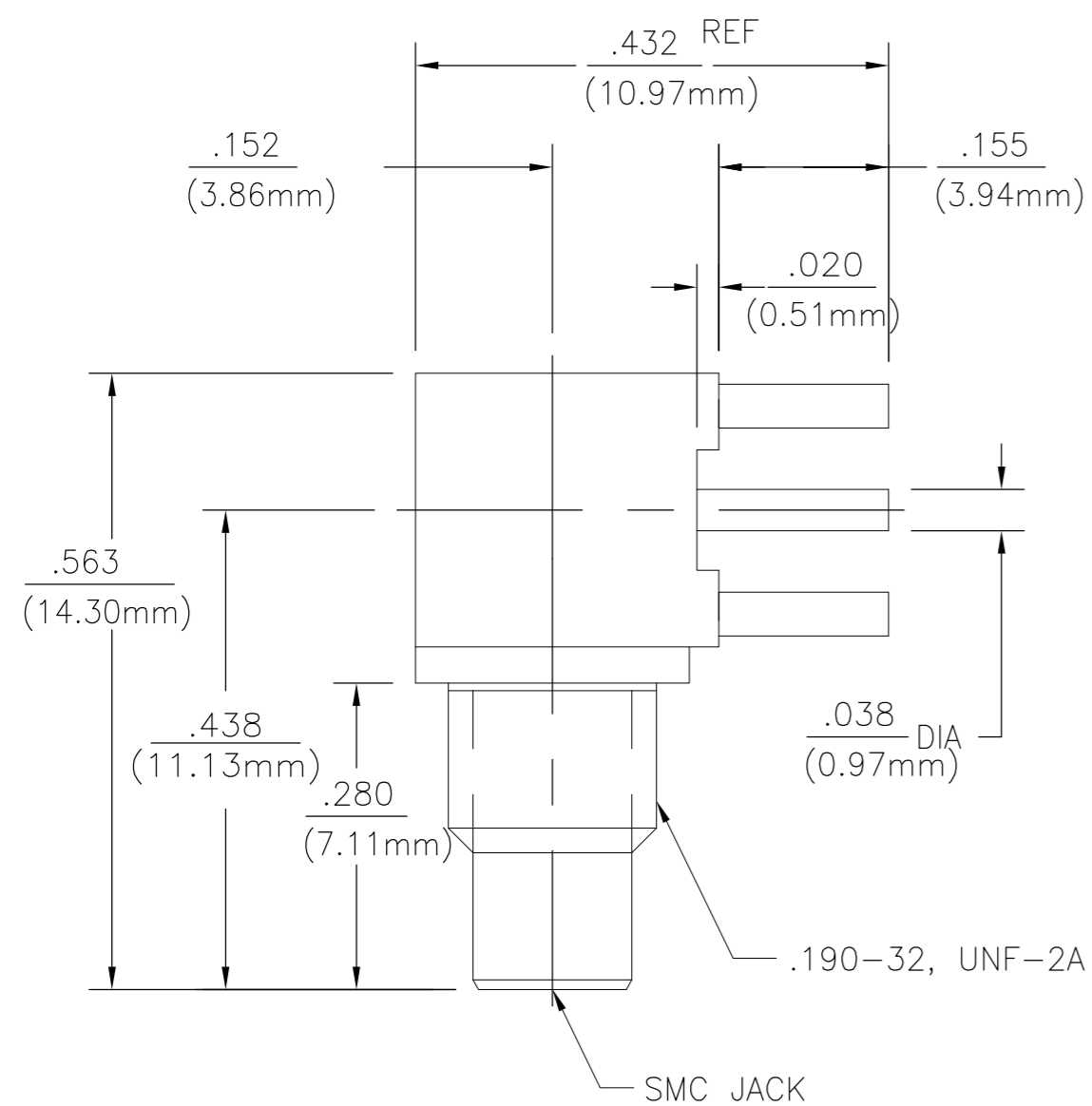


THIS DRAWING IS UNPUBLISHED. RELEASED FOR PUBLICATION
 © COPYRIGHT BY TYCO ELECTRONICS CORPORATION. ALL INTERNATIONAL RIGHTS RESERVED.

Loc		DIST		REVISIONS			
P	LTR	DESCRIPTION		DATE	DWN	APVD	
AJ	16	C		REV PER ECO 08-031174	29DEC2008	DW	JL



RECOMMENDED PCB LAYOUT

1060259-1		
PART NUMBER		
HOUSING CAP CENTER CONTACT	BRASS PER ASTM-B-16, HALF HARD	GOLD PLATE PER MIL-G-45204
DIELECTRIC	PTFE FLUOROCARBON PER ASTM-D-1457	N/A
COMPONENT	MATERIAL	FINISH

THIS DRAWING IS A CONTROLLED DOCUMENT.		DWN J. HAVENER 23JUL02	Tyco Electronics Corporation Harrisburg, PA 17105-3608	
DIMENSIONS: INCHES [mm]		CHK J. HAVENER 23JUL02	NAME SMC RIGHT ANGLE PRINTED CIRCUIT BOARD JACK (5064-5003-09)	
TOLERANCES UNLESS OTHERWISE SPECIFIED:		APVD J. HAVENER 23JUL02	SIZE A2	CAGE CODE 00779
0 PLC ± -		PRODUCT SPEC	DRAWING NO C=1060259-1	RESTRICTED TO
1 PLC ± -		APPLICATION SPEC	SCALE 6:1	SHEET 1 of 1
2 PLC ± -		WEIGHT -	REV C	
3 PLC ± .005 [0.13]		CUSTOMER DRAWING		
4 PLC ± -				
ANGLES ± 1°				
MATERIAL SEE TABLE	FINISH SEE TABLE			