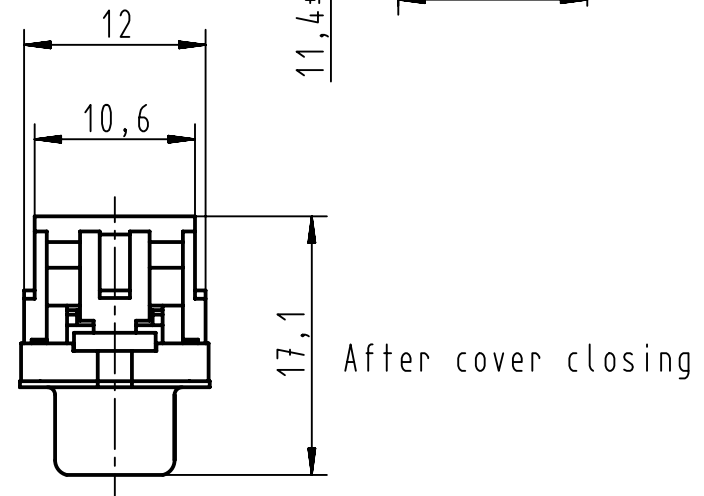
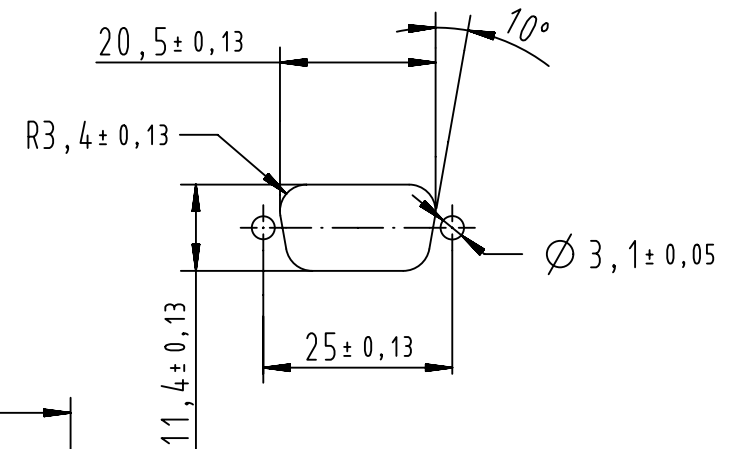
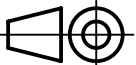



Recommended panel cutout dimensions
for rear mounting
According to CECC 75 301-802



09661187502			PL3	4-40UNC	 All Dimensions in mm Original Size DIN A4	Scale 2:1	Free size tol.		Ref.		
09661186502			PL2	4-40UNC		 All rights reserved Department EC PD - FR	Created by DOUGE	Inspected by BAGDIKIAN	Standardisation HOFFMANN	Date 2013-04-23	State Final Release
09661187501			PL3	M3	HARTING Electronics GmbH D-32339 Espelkamp		Title D-Sub IDC 9P female straight				Doc-Key / ECM-Nr. 100527165/UGD/001/A 5300000858839
09661186501			PL2	M3		Type TB	Number 0966118X50X			Rev. A	Page 1/1
Part number			Performance level	Nut thread							