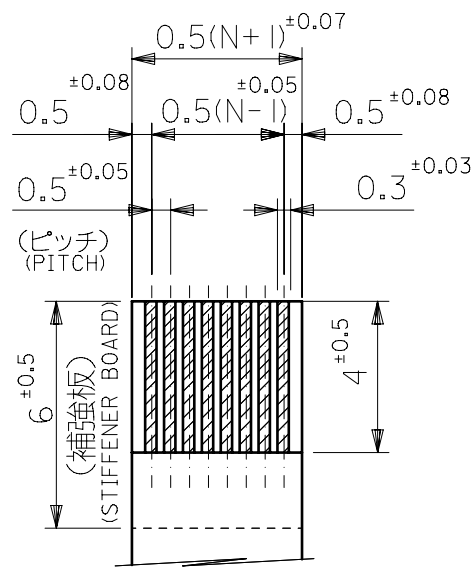


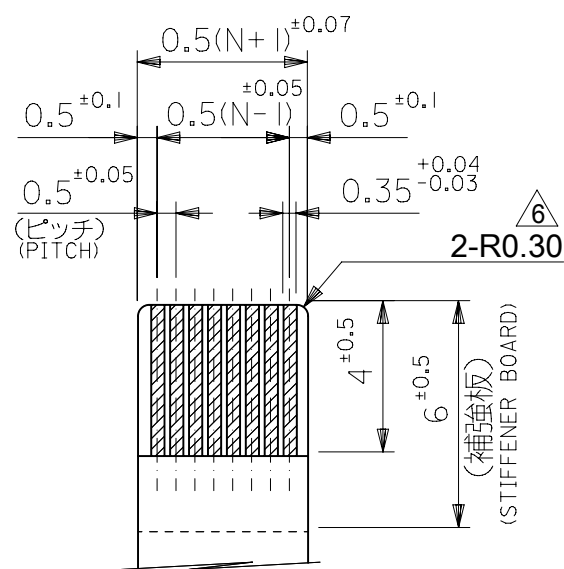
注記 NOTES

- 材質 MATERIAL  
 ハウジング : ポリアミド (PA)、ガラス充填、ナチュラル (白)、UL94V-0  
 HOUSING : POLYAMIDE, GLASS FILLED, NATURAL, UL94V-0  
 アクチュエータ : ポリフェニレンサルファイド(PPS)、ガラス充填、ナチュラル、UL94V-0  
 ACTUATOR : POLYPHENYRENE SULFIDE, GLASS FILLED, NATURAL(BROWN), UL94V-0  
 ターミナル : 銅合金 (t=0.2)  
 TERMINAL : COPPER ALLOY (t=0.2)  
 金具 : 銅合金 (t=0.4)  
 NAIL : COPPER ALLOY (t=0.4)
- めっき仕様 PLATING  
 ターミナル TERMINAL  
 錫銀ビスマスめっき (1.0μm以上)  
 下地 : ニッケルめっき (1.0μm以上)  
 TIN SILVER BISMUTH PLATING (1.0 MICROMETER MINIMUM)  
 UNDER PLATE : NICKEL PLATING (1.0 MICROMETER MINIMUM)  
 金具 FITTING NAIL  
 錫めっき (1.0μm以上)  
 下地 : ニッケルめっき (1.0μm以上)  
 TIN PLATING (1.0 MICROMETER MINIMUM)  
 UNDER PLATE : NICKEL PLATING (1.0 MICROMETER MINIMUM)
- △3 ソルダーテール半田付け面のズレ量、及び金具半田付け面のズレ量は、基準面 G に対し上方向0.05MAXIMUM、下方向0.15MAXIMUMとする。  
 MISALIGNMENT OF SOLDER TAILS AND FITTING NAILS FROM DATUM-G UPPER DIRECTION : 0.05MAXIMUM  
 LOWER DIRECTION 0.15MAXIMUM.
- △4 偶数極に適用  
 APPLY FOR EVEN CIRCUIT
- △5 パターンはくり止めよう金具  
 FITTING NAIL FOR PREVENTION OF PEELING OF P.C.B PATTERN.
- △6 R0.3はFPCの導体部にかからないこと  
 R0.3 MUST NOT BE OVERLAPED TO PATTERN OF FPC.
7. ソルダーテールの平坦度は、0.12 MAXIMUMとする。  
 SOLDER TAIL COPLANARITY IS 0.12 MAXIMUM.
8. ELV及びRoHS適合品  
 ELV AND RoHS COMPLIANT.

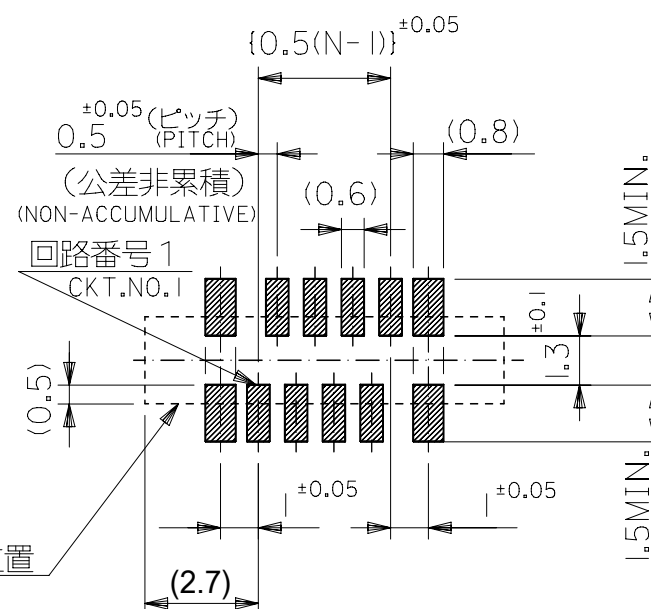
THIS DRAWING CONTAINS INFORMATION THAT IS PROPRIETARY TO MOLEX ELECTRONIC TECHNOLOGIES, LLC AND SHOULD NOT BE USED WITHOUT WRITTEN PERMISSION		CURRENT REV DESC:		<b>molex</b>	
DIMENSION UNITS	SCALE				
mm	8:1			EMBOSS TAPE PACKAGED FOR 0.5MM FPC CONN ZIF S/T HOUSING ASSY	
GENERAL TOLERANCES (UNLESS SPECIFIED)		EC NO: 176518		PRODUCT CUSTOMER DRAWING	
ANGULAR TOL	± 3.0°	DRWN: TNAKAGAWA01	2018/05/10	DOCUMENT NUMBER	
4 PLACES	± 0.2	CHK'D: RTAKEUCHI	2018/05/14	DOC TYPE	
3 PLACES	± 0.2	APPR: RTAKEUCHI	2018/05/14	DOC PART	
2 PLACES	± 0.2	INITIAL REVISION:		REVISION	
1 PLACE	± 0.25	DRWN: AISHII	2012/09/05	SD-52559-058	
0 PLACES	± 0.3	APPR: KMORIKAWA	2013/03/15	PSD	001
DRAFT WHERE APPLICABLE MUST REMAIN WITHIN DIMENSIONS		THIRD ANGLE PROJECTION	DRAWING	SERIES	MATERIAL NUMBER
			A3-SIZE	52559	CUSTOMER
					GENERAL MARKET
					SHEET NUMBER
					1 OF 6



適合FFC推奨寸法  
APPLICABLE FFC  
RECOMMENDED DIMENSION.  
(仕上がり厚さ: 0.3±0.05)  
(THICKNESS: 0.3±0.05)



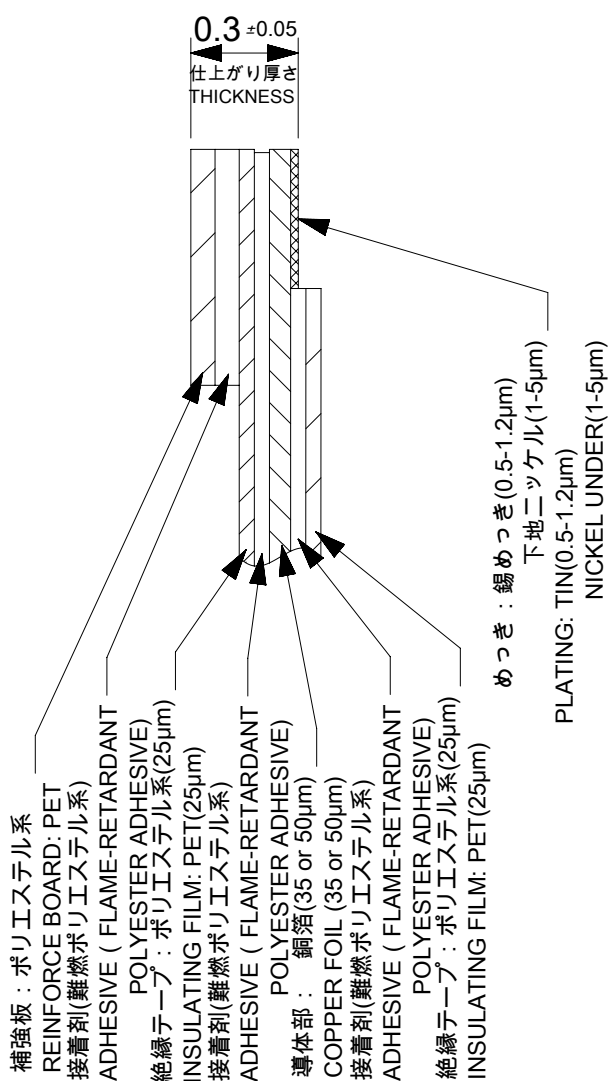
適合FPC推奨寸法  
APPLICABLE FPC  
RECOMMENDED DIMENSION.  
(仕上がり厚さ: 0.3±0.05)  
(THICKNESS: 0.3±0.05)



コネクタ位置  
CONNECTOR  
POSITION

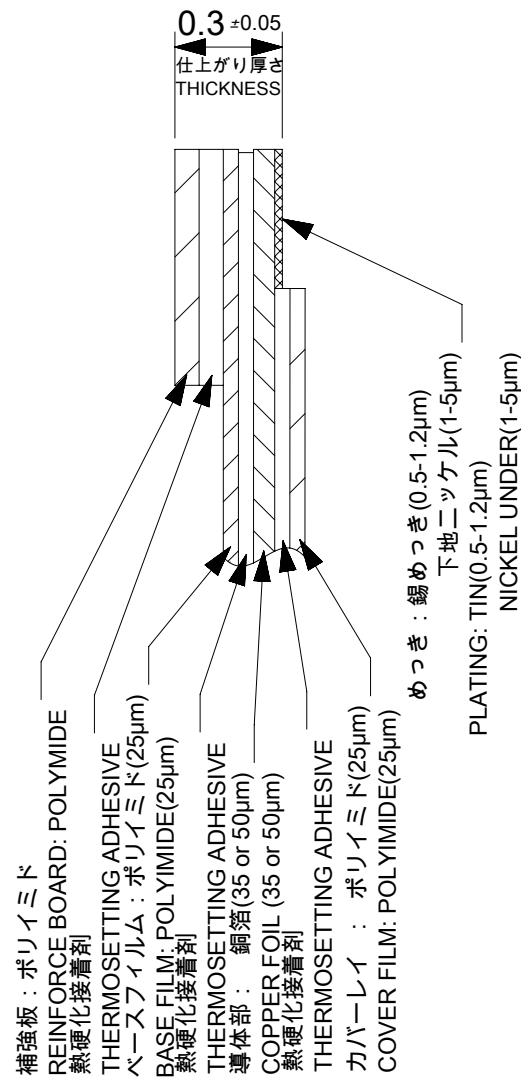
推奨基板レイアウト  
(マウンド面)  
RECOMMENDED P.C.BOARD  
PATTERN DIMENSION  
(MOUNTING SIDE)

マスク厚 : 150µm  
マスク開口率 : 100%  
SCREEN THICKNESS : 150µm  
SCREEN OPEN RATIO : 100%



FFC構成推奨仕様

RECOMMENDED STRUCTURE OF FFC



FPC構成推奨仕様

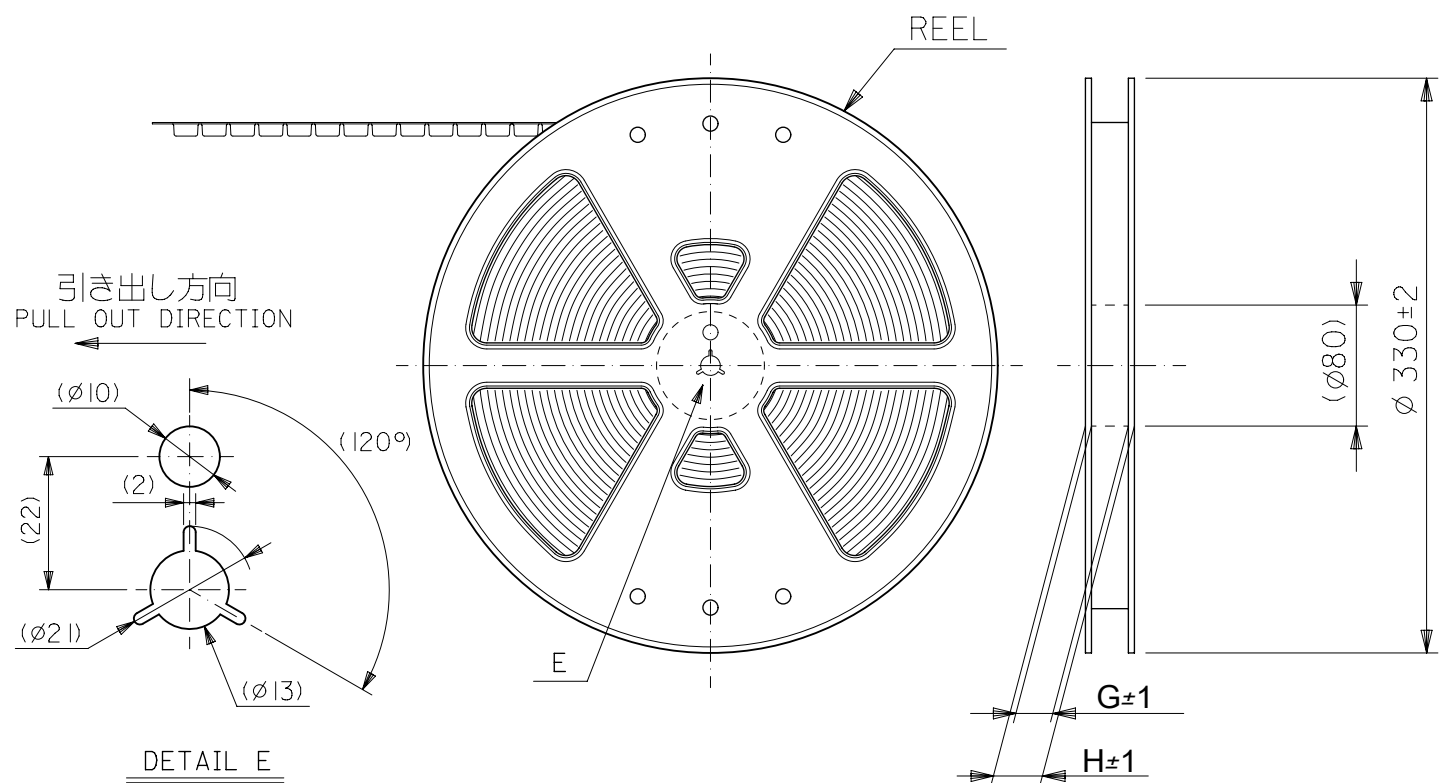
RECOMMENDED STRUCTURE OF FPC

FPC/FFCについて:  
抜き方向は、導体側から補強板側を推奨致します。  
尚、接着剤の接点部への付着は導通不良の原因になりますので、  
染み出しが無い様お願い致します。

ABOUT FPC/FFC:  
RECOMMENDED PUNCHER DIRECTION:  
FROM CONDUCTOR SIDE TO STIFFNER SIDE  
PLEASE PUT APPROPRIATE AMOUNT OF ADHESIVE ON ADHEREND  
BECAUSE THERE IS A POSSIBILITY THAT THE EXTRA ADHESIVE  
CAUSES THE DEFECT IN ELECTRICAL CONTINUITY.

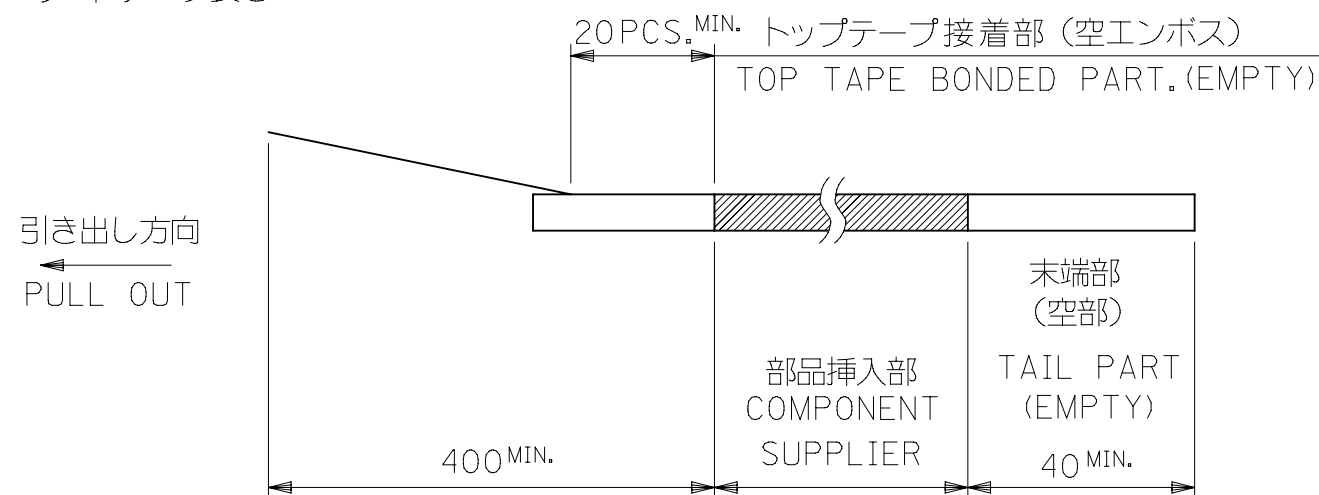
26.7	25.9	21.65	20.5	52559-4233	42
25.7	24.9	20.65	19.5	52559-4033	40
23.7	22.9	18.65	17.5	52559-3633	36
21.7	20.9	16.65	15.5	52559-3233	32
20.7	19.9	15.65	14.5	52559-3033	30
19.7	18.9	14.65	13.5	52559-2833	28
19.2	18.4	14.15	13.0	52559-2733	27
18.7	17.9	13.65	12.5	52559-2633	26
17.7	16.9	12.65	11.5	52559-2433	24
17.2	16.4	12.15	11.0	52559-2333	23
16.2	15.4	11.15	10.0	52559-2133	21
15.7	14.9	10.65	9.5	52559-2033	20
14.2	13.4	9.15	8.0	52559-1733	17
13.7	12.9	8.65	7.5	52559-1633	16
13.2	12.4	8.15	7.0	52559-1533	15
12.7	11.9	7.65	6.5	52559-1433	14
11.7	10.9	6.65	5.5	52559-1233	12
10.7	9.90	5.65	4.5	52559-1033	10
10.2	9.40	5.15	4.0	52559-0933	9
8.70	7.90	3.65	2.5	52559-0633	6
D	C	B	(A)	ORDER NO.	CKT.

THIS DRAWING CONTAINS INFORMATION THAT IS PROPRIETARY TO MOLEX ELECTRONIC TECHNOLOGIES, LLC AND SHOULD NOT BE USED WITHOUT WRITTEN PERMISSION														
DIMENSION UNITS		SCALE		CURRENT REV DESC:						<b>molex</b>		EMBOSS TAPE PACKAGED FOR 0.5MM FPC CONN ZIF S/T HOUSING ASSY		
mm	5:1													
GENERAL TOLERANCES (UNLESS SPECIFIED)				EC NO: 176518		DRWN: TNAKAGAWA01		2018/05/10		DOCUMENT NUMBER		DOC TYPE	DOC PART	REVISION
ANGULAR TOL ± 3.0°				4 PLACES ± 0.2		CHK'D: RTAKEUCHI		2018/05/14		PRODUCT CUSTOMER DRAWING				
3 PLACES ± 0.2				2 PLACES ± 0.2		INITIAL REVISION:				SD-52559-058				
1 PLACE ± 0.25				0 PLACES ± 0.3		DRWN: AISHII		2012/09/05		PSD		001	C	
DRAFT WHERE APPLICABLE MUST REMAIN WITHIN DIMENSIONS				THIRD ANGLE PROJECTION		DRAWING		SERIES		MATERIAL NUMBER		CUSTOMER		SHEET NUMBER
				A3-SIZE		52559		SEE TABLE		GENERAL MARKET		2 OF 6		



注記 NOTES

- 梱包状態はアクチュエータがロックした状態とする。  
IN THE PACKAGE, ACTUATOR SHOULD BE LOCKED.
- 梱包数量：1000個/リール  
NUMBER OF CONNECTORS:1000PCS/REEL
- リードテープ長さ LEAD TAPE LENGTH



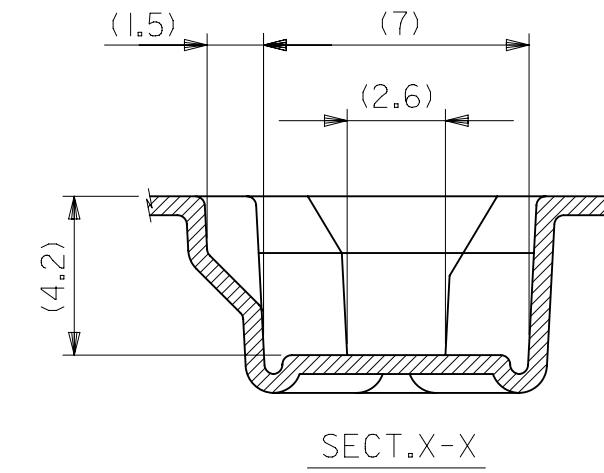
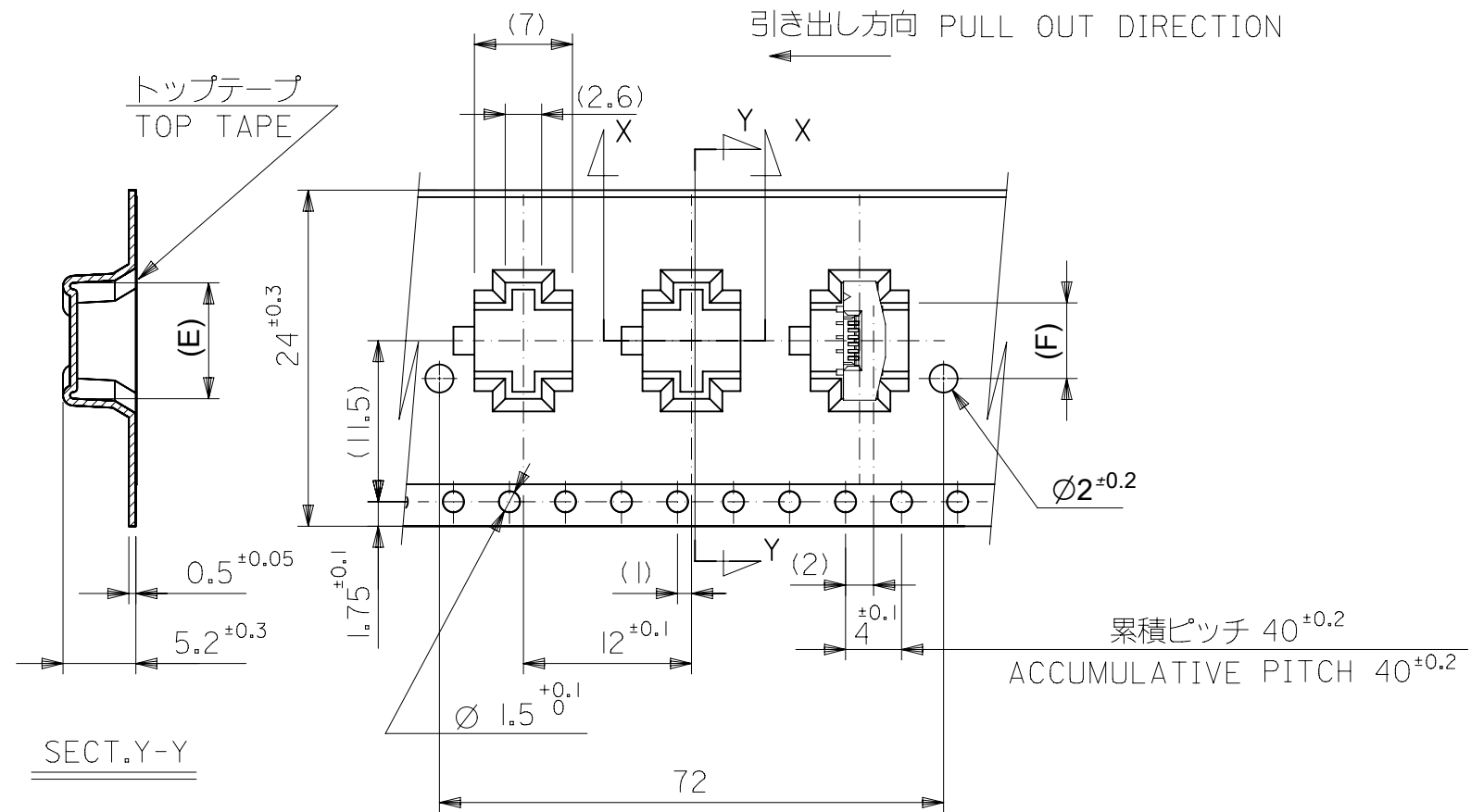
- カバーテープの剥離強度については、IEC60286-3に準拠  
COVER TAPE PEEL FORCE IS DEFINED BY IEC 60286-3.

- 材料 キャリアテープ：ポリプロピレン (PP)  
トップテープ：PET, PE, PEF  
リール：ポリスチレン (PS) <リサイクル材を含む>

MATERIAL CARRIER TAPE:POLYPROPYLENE  
TOP TAPE:PET,PE,PEF  
REEL:POLYSTYRENE (PS)  
<RECYCLE MATERIAL CONTAINED>

- ELV及びRoHS適合品  
ELV AND RoHS COMPLIANT

THIS DRAWING CONTAINS INFORMATION THAT IS PROPRIETARY TO MOLEX ELECTRONIC TECHNOLOGIES, LLC AND SHOULD NOT BE USED WITHOUT WRITTEN PERMISSION									
DIMENSION UNITS mm		SCALE ±±		CURRENT REV DESC:				<b>molex</b>	
GENERAL TOLERANCES (UNLESS SPECIFIED)				EC NO: 176518					
ANGULAR TOL ± 3.0°				DRWN: TNAKAGAWA01 2018/05/10				EMBOSS TAPE PACKAGED FOR 0.5MM FPC CONN ZIF S/T HOUSING ASSY	
4 PLACES ± 0.2				CHK'D: RTAKEUCHI 2018/05/14				PRODUCT CUSTOMER DRAWING	
3 PLACES ± 0.2				APPR: RTAKEUCHI 2018/05/14				DOCUMENT NUMBER	
2 PLACES ± 0.2				INITIAL REVISION:				SD-52559-058	
1 PLACE ± 0.25				DRWN: AISHII 2012/09/05				DOC TYPE	
0 PLACES ± 0.3				APPR: KMORIKAWA 2013/03/15				PSD	
DRAFT WHERE APPLICABLE MUST REMAIN WITHIN DIMENSIONS		THIRD ANGLE PROJECTION		DRAWING		SERIES		SHEET NUMBER	
		A3-SIZE		52559		SEE SHEET 4-6		3 OF 6	



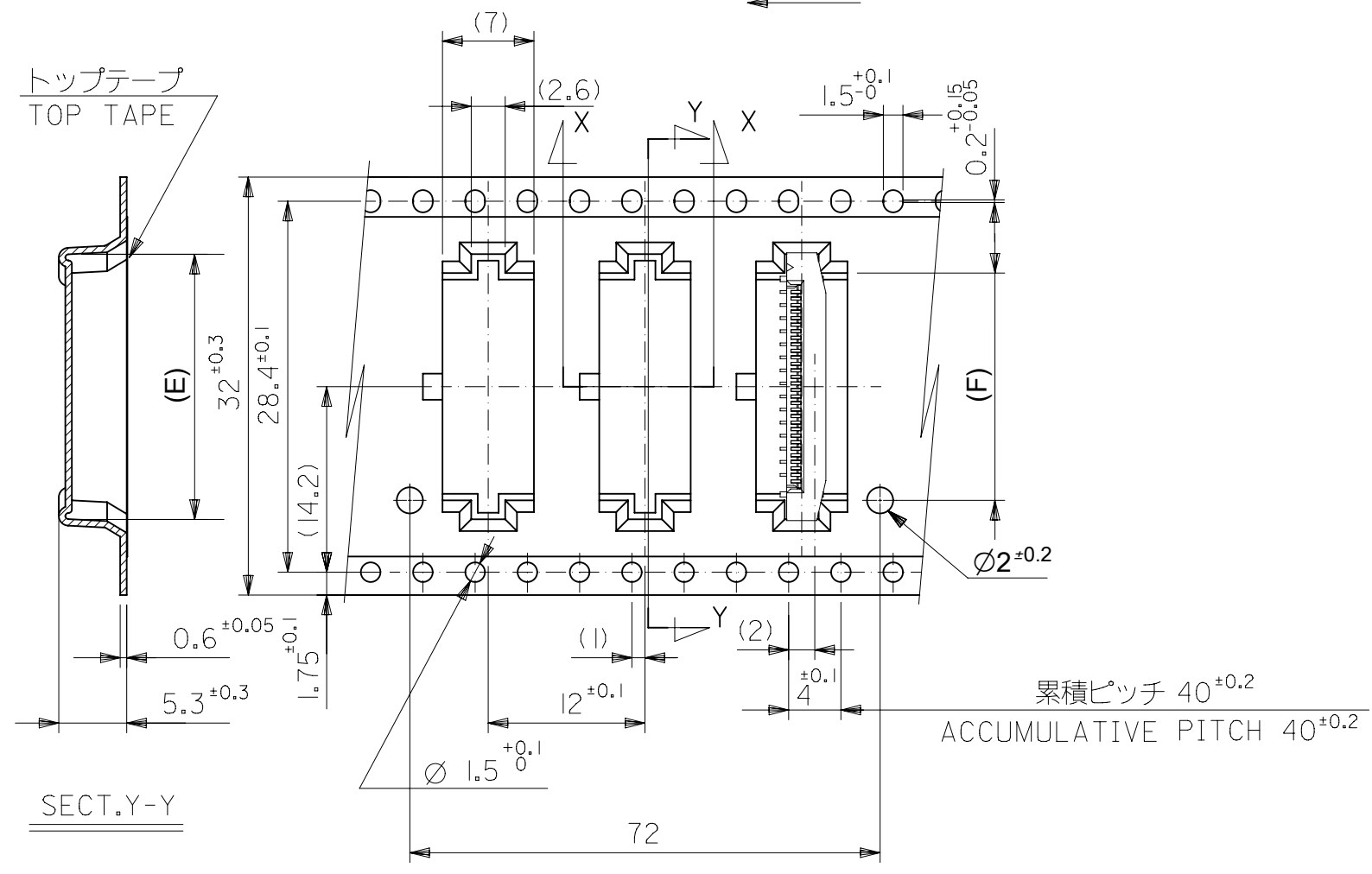
24mm幅キャリアテープ  
24mm WIDTH CARRIER TAPE

24	29.4	25.4	14.4	17.3	52559-2433	24		
			13.9	16.8	52559-2333	23		
			12.9	15.8	52559-2133	21		
			12.4	15.3	52559-2033	20		
			10.9	13.8	52559-1733	17		
			10.4	13.3	52559-1633	16		
			9.9	12.8	52559-1533	15		
			9.4	12.3	52559-1433	14		
			8.4	11.3	52559-1233	12		
			7.4	10.3	52559-1033	10		
			6.9	9.8	52559-0933	9		
5.4	8.3	52559-0633	6					
CARRIER TAPE WIDTH			H	G	(F)	(E)	ORDER No.	CKT

THIS DRAWING CONTAINS INFORMATION THAT IS PROPRIETARY TO MOLEX ELECTRONIC TECHNOLOGIES, LLC AND SHOULD NOT BE USED WITHOUT WRITTEN PERMISSION

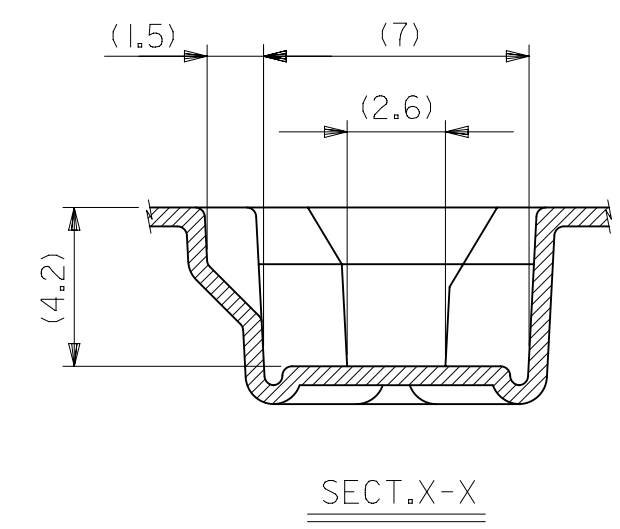
DIMENSION UNITS mm	SCALE ±±	CURRENT REV DESC:		<b>molex</b>			
GENERAL TOLERANCES (UNLESS SPECIFIED)		EC NO: 176518					EMBOSS TAPE PACKAGED FOR 0.5MM FPC CONN ZIF S/T HOUSING ASSY
ANGULAR TOL	± 3.0°	DRWN: TNAKAGAWA01 2018/05/10		PRODUCT CUSTOMER DRAWING			
4 PLACES	± 0.2	CHK'D: RTAKEUCHI 2018/05/14		DOCUMENT NUMBER			
3 PLACES	± 0.2	APPR: RTAKEUCHI 2018/05/14		SD-52559-058			
2 PLACES	± 0.2	INITIAL REVISION:		DOC TYPE	DOC PART	REVISION	
1 PLACE	± 0.25	DRWN: AISHII 2012/09/05		PSD	001	C	
0 PLACES	± 0.3	APPR: KMORIKAWA 2013/03/15		SHEET NUMBER			
DRAFT WHERE APPLICABLE MUST REMAIN WITHIN DIMENSIONS		THIRD ANGLE PROJECTION	DRAWING	SERIES	MATERIAL NUMBER	CUSTOMER	SHEET NUMBER
			A3-SIZE	52559	SEE TABLE	GENERAL MARKET	4 OF 6

引き出し方向 PULL OUT DIRECTION



累積ピッチ 40<sup>+0.2</sup>  
ACCUMULATIVE PITCH 40<sup>+0.2</sup>

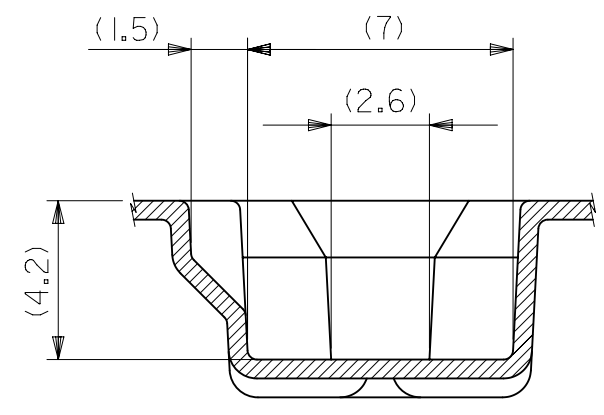
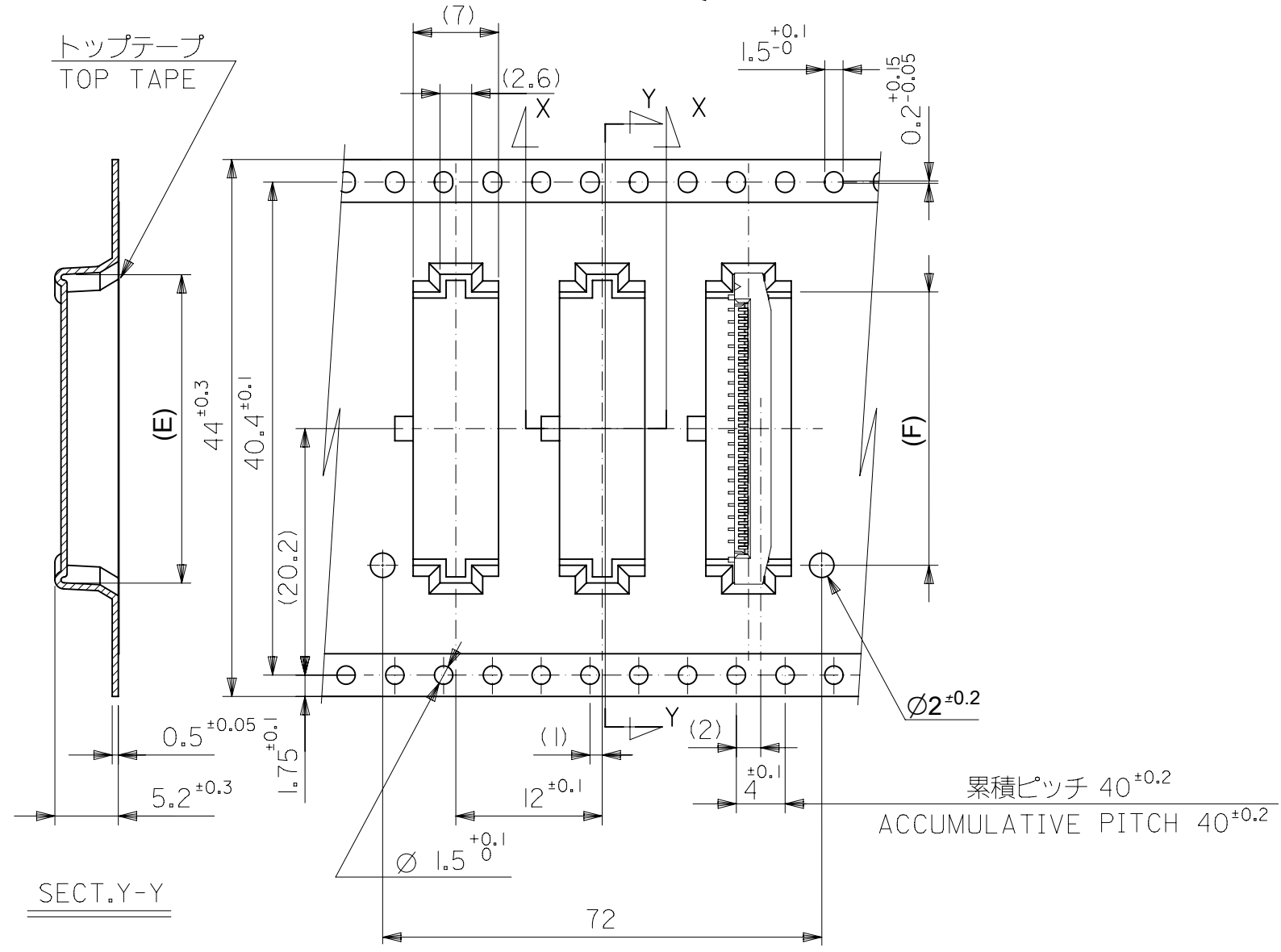
32mm幅キャリアテープ  
32mm WIDTH CARRIER TAPE



32	37.4	33.4	18.4	21.3	52559-3233	32	
			17.4	20.3	52559-3033	30	
			16.4	19.3	52559-2833	28	
			15.9	18.8	52559-2733	27	
			15.4	18.3	52559-2633	26	
CARRIER TAPE WIDTH		H	G	(F)	(E)	ORDER No.	CKT.

THIS DRAWING CONTAINS INFORMATION THAT IS PROPRIETARY TO MOLEX ELECTRONIC TECHNOLOGIES, LLC AND SHOULD NOT BE USED WITHOUT WRITTEN PERMISSION		CURRENT REV DESC:		<b>molex</b>	
DIMENSION UNITS	SCALE	EC NO: 176518			
mm	≠	DRWN: TNAKAGAWA01 2018/05/10		EMBOSS TAPE PACKAGED FOR 0.5MM FPC CONN ZIF S/T HOUSING ASSY	
GENERAL TOLERANCES (UNLESS SPECIFIED)		CHK'D: RTAKEUCHI 2018/05/14		PRODUCT CUSTOMER DRAWING	
ANGULAR TOL	± 3.0°	APPR: RTAKEUCHI 2018/05/14		DOCUMENT NUMBER	
4 PLACES	± 0.2	INITIAL REVISION:		SD-52559-058	
3 PLACES	± 0.2	DRWN: AISHII 2012/09/05		DOC TYPE	DOC PART
2 PLACES	± 0.2	APPR: KMORIKAWA 2013/03/15		PSD	001
1 PLACE	± 0.25	MATERIAL NUMBER		CUSTOMER	REVISION
0 PLACES	± 0.3	SEE TABLE		GENERAL MARKET	C
DRAFT WHERE APPLICABLE MUST REMAIN WITHIN DIMENSIONS		THIRD ANGLE PROJECTION	DRAWING	SERIES	SHEET NUMBER
			A3-SIZE	52559	5 OF 6

引き出し方向 PULL OUT DIRECTION



44mm幅キャリアテープ  
44mm WIDTH CARRIER TAPE

44	49.4	45.4	23.4	26.3	52559-4233	42		
			22.4	25.3	52559-4033	40		
			20.4	23.3	52559-3633	36		
CARRIER TAPE WIDTH			H	G	(F)	(E)	ORDER No.	CKT

THIS DRAWING CONTAINS INFORMATION THAT IS PROPRIETARY TO MOLEX ELECTRONIC TECHNOLOGIES, LLC AND SHOULD NOT BE USED WITHOUT WRITTEN PERMISSION

DIMENSION UNITS mm	SCALE ≠	CURRENT REV DESC:		<b>molex</b>		
GENERAL TOLERANCES (UNLESS SPECIFIED)		EC NO: 176518				
ANGULAR TOL ± 3.0°	4 PLACES ± 0.2	DRWN: TNAKAGAWA01	2018/05/10	PRODUCT CUSTOMER DRAWING		
3 PLACES ± 0.2	2 PLACES ± 0.2	CHK'D: RTAKEUCHI	2018/05/14	DOCUMENT NUMBER		
1 PLACE ± 0.25	0 PLACES ± 0.3	APPR: RTAKEUCHI	2018/05/14	SD-52559-058		
DRAFT WHERE APPLICABLE MUST REMAIN WITHIN DIMENSIONS		INITIAL REVISION:		DOC TYPE	DOC PART	REVISION
THIRD ANGLE PROJECTION		DRWING	SERIES	PSD	001	C
DRAWING		A3-SIZE	52559	CUSTOMER	GENERAL MARKET	
MATERIAL NUMBER		SEE TABLE		SHEET NUMBER		
CUSTOMER		GENERAL MARKET		6 OF 6		