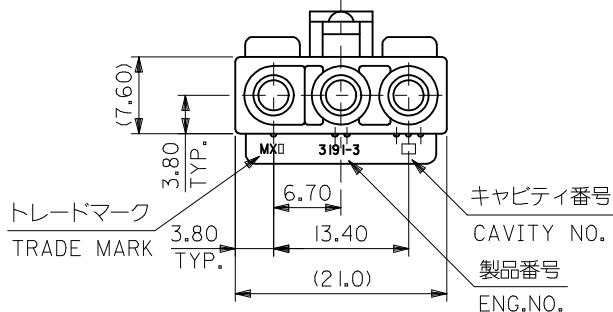


注)  
NOTE.  
1. ( ) 内寸法は参考  
(DIMENSIONS IN ( ) ARE REFERENCE)



39-03-6035	3191-03R1-201	NYLON66	94V-0
39-03-6034	3191-03R1	NYLON66	94V-2
POLYBAG PACKAGE	モデル番号 MODEL No.	材質 MATERIAL	UL
オーダー番号 ORDER NO.			

REDRAWN EC NO.: J2013-0829 DRWN:SSATO02 CHKD:KASAKAWA APPR:YOITO 2013/01/31 2013/01/31 2013/04/16	GENERAL TOLERANCES (UNLESS SPECIFIED)		DIMENSION STYLE MM ONLY	SCALE 2:1	DESIGN UNITS METRIC	THIRD ANGLE PROJECTION
	10 UNDER	± ---	DRAWN BY SSATO02	DATE 2013/01/31	TITLE 3 CKT.REC HSG (.093 DIA TERM)	
	10 OVER 30 UNDER	± ---	CHECKED BY KASAKAWA	DATE 2013/01/31		
	30 OVER	± ---	APPROVED BY YOITO	DATE 2013/04/16		
DESCRIPTION	ANGULAR ±3 °	MATERIAL NO. SEE CHART		DOCUMENT NO. SD-3191-012	SHEET NO. 1 OF 1	
REV O	DRAFT WHERE APPLICABLE MUST REMAIN WITHIN DIMENSIONS		THIS DRAWING CONTAINS INFORMATION THAT IS PROPRIETARY TO MOLEX INCORPORATED AND SHOULD NOT BE USED WITHOUT WRITTEN PERMISSION			