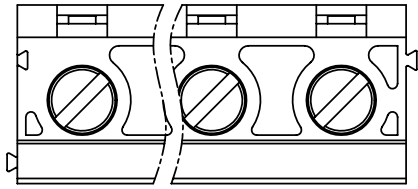


| SIGN | DATE | DESCRIPTION | APPROVER |
|------|----------|--------------------------|----------|
| △ | 12/01'10 | Add is " VDE " | Aaron |
| △ | 08/11'11 | The tolerance is changed | Runner |

THIS IS CAD DRAWING, DO NOT REVISE MANUALLY!!!



DIMENSION

| | |
|-------|------------|
| Dim L | N×7.62 |
| Dim A | (N-1)×7.62 |

N=Number of poles

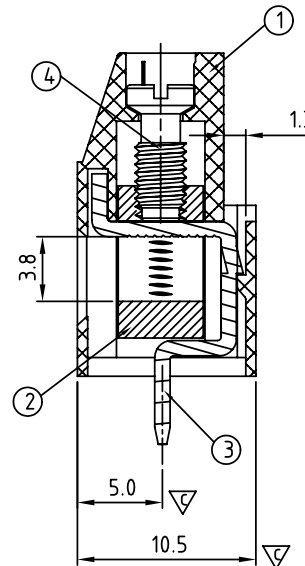
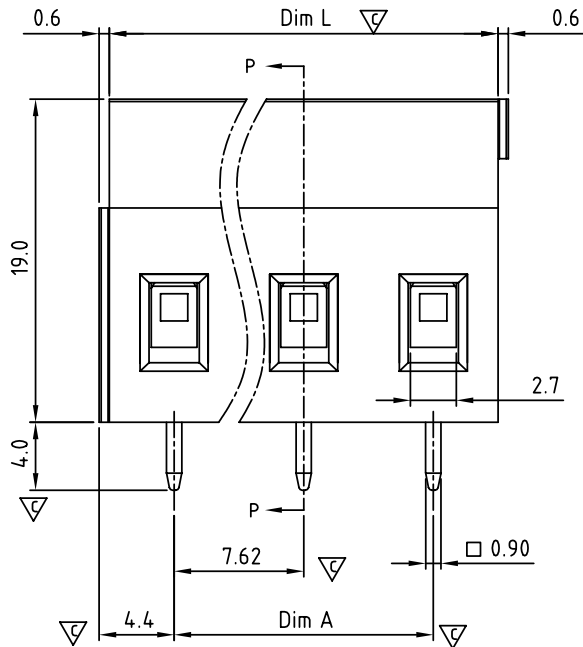
| Poles | Tolerance |
|---------|-----------|
| 4p-8p | ±0.20 |
| 9p-12p | ±0.30 |
| 13p-16p | ±0.40 |

Material:

- Item 1 Terminal housing:Thermoplastic (UL 94V-0)
- Item 2 Clamp: Brass Ni plated
- Item 3 Wire guard solder pin:Brass Tin plated
- Item 4 Terminal screw: Steel Zinc plating"-slot type

△ Electrical cULus / VDE

- Voltage rating : 300VAC / 750V
- Current rating : 20A / 24A
- Wire range : 0.2-2.5mm²
- Solid wire(AWG) : 12-30
- Stranded wire(AWG) : 12-30
- Torque : 3.5 Lb-In / 0.5 N.m
- Screw: M3
- Wire strip length: 6-7mm
- Withstanding Voltage: 1.6KV / 3KV
- Operating temperature: -40°C to +115°C
- Soldering temperature: 250°C±10°C/5 Sec
- Safety Approval:
- Critical dimension:

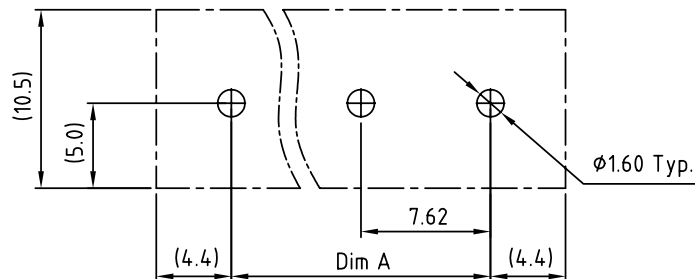


SECTION P-P

VJ xx 61 x 5 xxxx G

| | | |
|----------------|---------------------|---------------------------------------|
| No. of poles | 0 Black (RAL9005) | 0000:"@"Logo (Standard) |
| 04 4 CONTACTS | 2 Red (RAL3001/D) | 000A:"ANYTEK"Logo |
| 05 5 CONTACTS | 3 Orange(RAL2011/P) | Any special item by customer request, |
| ... | 4 Yellow(RAL1018/A) | please contact sales department. |
| 16 16 CONTACTS | 5 Green(RAL6018/T) | |
| | 6 Blue (RAL5015/A) | |
| | 8 Grey(RAL7035/D) | |

RoHS
Pb<40,000ppm



RECOMMENDED PCB LAYOUT

ANYTEK

CUSTOMER COPY

ALL RIGHTS RESERVED. REPRODUCTION OR ISSUE TO THIRD PARTIES IN ANY FORM WHATSOEVER IS NOT PERMITTED WITHOUT WRITTEN AUTHORITY FROM THE PROPRIETOR. PROPERTY OF ANYTEK TECHNOLOGY CO., LTD

| | | | | | |
|----------|-----------------------|--|---------------------|--|--|
| TITLE | | VJ-7.62 Series 4P-16P Horizontal Solid block (180D wire inlet)-----Without cover | | | |
| PART NO. | | VJxx61x5xxxxG | | DWG NO. 8VJ0312 | |
| APPROVED | CHECKED | DESIGNED | DRAWN | CUST NO. | |
| | Shi Jun 2011.08.11 | Runner 2011.08.11 | Aaron 2009.07.21 | | |
| | | | | | |
| | | | | UNIT: mm SCALE: NONE SHEET: 01/01 REV.: C2 | |
| | | | | Tolerance X. ±0.50 X.X ±0.30 X.XX ±0.10 X° ±1° | |