



AS-Interface stack light module

VBA-4A-70MM

- Bayonet system for simple mounting and dismounting
- 70-mm-series
- Degree of protection IP65
- Addressing jack
- Outputs short-circuit and overload proof
- No external power supply required
- Function display for bus, external auxiliary voltage and outputs
- Integrated communication monitoring function
- Modular system

AS-Interface module for stack light



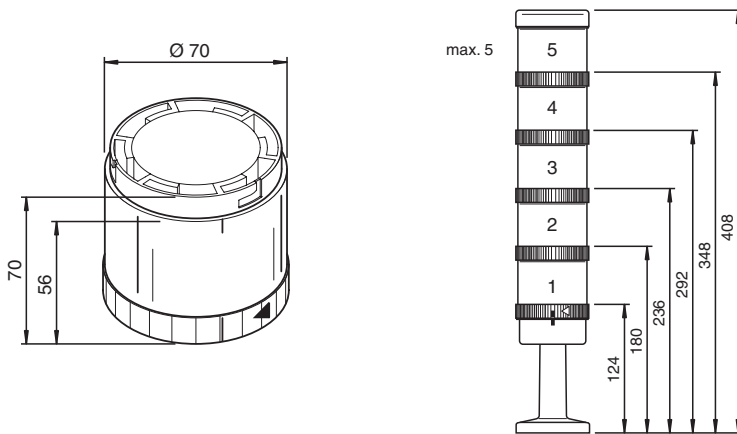
Function

The signal column module VBA-4A-70MM is an AS-Interface module with 4 virtually wearproof semiconductor relay outputs which can trigger up to 4 stages of a signal column.

The connection of the external auxiliary voltage and the AS-Interface takes place via screw terminals in the corresponding connection element which is easily fitted to the module via a bayonet system.

The supply of the connected outputs can take place either from the internal power supply of the module (from AS-Interface) or via an external power source. Switching takes place via a sliding switch inside the element. The selection of the external power supply is indicated via an LED (AUX). The outputs are protected against reversal, overload and short circuit. An LED to indicate the AS-Interface voltage is available, another indicates errors in the AS-Interface communication. For parameterization there is an addressing jack in the element protected against external interference.

Dimensions



Technical Data

| General specifications | |
|--------------------------------------|----------|
| Node type | A/B node |
| AS-Interface specification | V3.0 |
| Required gateway specification | ≥ V3.0 |
| Profile | S-7.A.7 |
| IO code | 7 |
| ID code | A |
| UL File Number | E223176 |
| Functional safety related parameters | |

Release date: 2022-06-30 Date of issue: 2022-06-30 Filename: 275874_eng.pdf

Refer to "General Notes Relating to Pepperl+Fuchs Product Information".

Pepperl+Fuchs Group
www.pepperl-fuchs.com

USA: +1 330 486 0001
fa-info@us.pepperl-fuchs.com

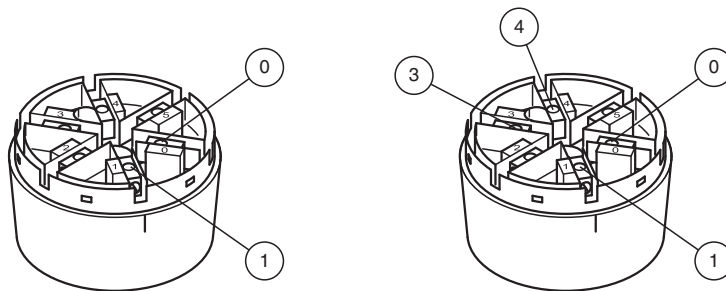
Germany: +49 621 776 1111
fa-info@de.pepperl-fuchs.com

Singapore: +65 6779 9091
fa-info@sg.pepperl-fuchs.com

Technical Data

| | | |
|-----------------------------------|---|-----------------------------------|
| MTTF _d | 300 a | |
| Indicators/operating means | | |
| LED FAULT | communication error / address is 0; LED red | |
| LED AS-i | AS-Interface voltage; LED green | |
| LED AUX | ext. auxiliary voltage U _{AUX} ; LED green | |
| Electrical specifications | | |
| Auxiliary voltage (output) | U _{AUX} | 20 ... 30 V DC PELV |
| Rated operating voltage | U _e | 26.5 ... 31.6 V from AS-Interface |
| Rated operating current | I _e | ≤ 235 mA |
| Output | | |
| Number/Type | 4 semiconductor relay outputs | |
| Supply | from AS-Interface or from external auxiliary voltage as required U _{AUX} | |
| Voltage | 21 ... 31 V | |
| Current | AS-interface: ≤ 200 mA for the stack light U _{AUX} : ≤ 300 mA per light element | |
| Ambient conditions | | |
| Ambient temperature | -20 ... 50 °C (-4 ... 122 °F) | |
| Mechanical specifications | | |
| Degree of protection | IP65 | |
| Connection | Bayonet system | |

Connection



Supply from AS-Interface

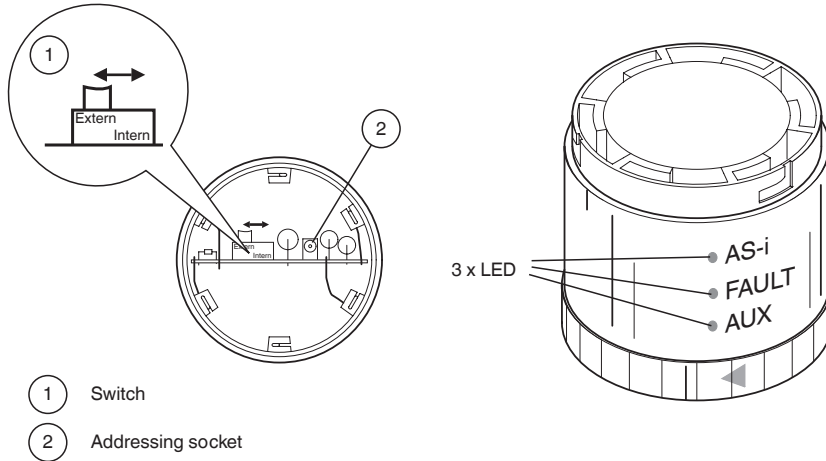
- 0 - AS-Interface
- 1 + AS-Interface

Supply from U_{Aux}

- 0 - AS-Interface
- 1 + AS-Interface
- 3 - U_{AUX}
- 4 + U_{AUX}

Release date: 2022-06-30 Date of issue: 2022-06-30 Filename: 275874_eng.pdf

Assembly



- 1 Switch
- 2 Addressing socket

Programming

Data bit
(function via AS-Interface)

| Data bit | Input | Output |
|----------|-------|--------|
| D0 | - | OUT1 |
| D1 | - | OUT2 |
| D2 | - | OUT3 |
| D3 | - | OUT4 |

Parameter bits
(programmable via AS-Interface)

| Parameter bit | Function |
|---------------|---|
| P0 | Communication monitoring P0=0 monitoring off, the outputs maintain the status if communication fails P0=1 monitoring on, if communication fails, the outputs are deenergised, default setting |
| P1 | not used |
| P2 | not used |
| P3 | not used |

Accessories

| | | |
|--|---------------------------|---|
| | VAZ-LED-70MM-MC | Stack light LED permanent light element, multicolor |
| | VAZ-LED-70MM-LM | Stack light LED permanent light element, lemon yellow |
| | VAZ-MH 100-70MM | Stack light assembly mounting, straight |
| | VAZ-CLAMP-70MM | Stack light terminal base with cover plate |
| | VAZ-MH 90°-70MM | Stack light assembly mounting, angled |
| | VAZ-CLAMP-70MM-90° | Stack light terminal base with cover plate |
| | VAZ-LED-70MM-YE | Stack light LED permanent light element, yellow |
| | VAZ-LED-70MM-RD | Stack light LED permanent light element, red |

Release date: 2022-06-30 Date of issue: 2022-06-30 Filename: 275874_eng.pdf

Refer to "General Notes Relating to Pepperl+Fuchs Product Information".

Pepperl+Fuchs Group
www.pepperl-fuchs.com









USA: +1 330 486 0001
fa-info@us.pepperl-fuchs.com

Germany: +49 621 776 1111
fa-info@de.pepperl-fuchs.com

Singapore: +65 6779 9091
fa-info@sg.pepperl-fuchs.com

PEPPERL+FUCHS

Accessories

| | | |
|---|-------------------------|--|
|  | VAZ-LED-70MM-GN | Stack light LED permanent light element, green |
|  | VAZ-LED-70MM-CL | Stack light LED permanent light element, clear |
|  | VAZ-LED-70MM-BU | Stack light LED permanent light element, blue |
|  | VAZ-LAMP-70MM-CL | Stack light solid light element, clear |
|  | VAZ-LAMP-70MM-YE | Stack light solid light element, yellow |
|  | VAZ-LAMP-70MM-GN | Stack light permanent light element, green |
|  | VAZ-LAMP-70MM-RD | Stack light solid light element, red |
|  | VAZ-LAMP-70MM-BU | Stack light solid light element, blue |