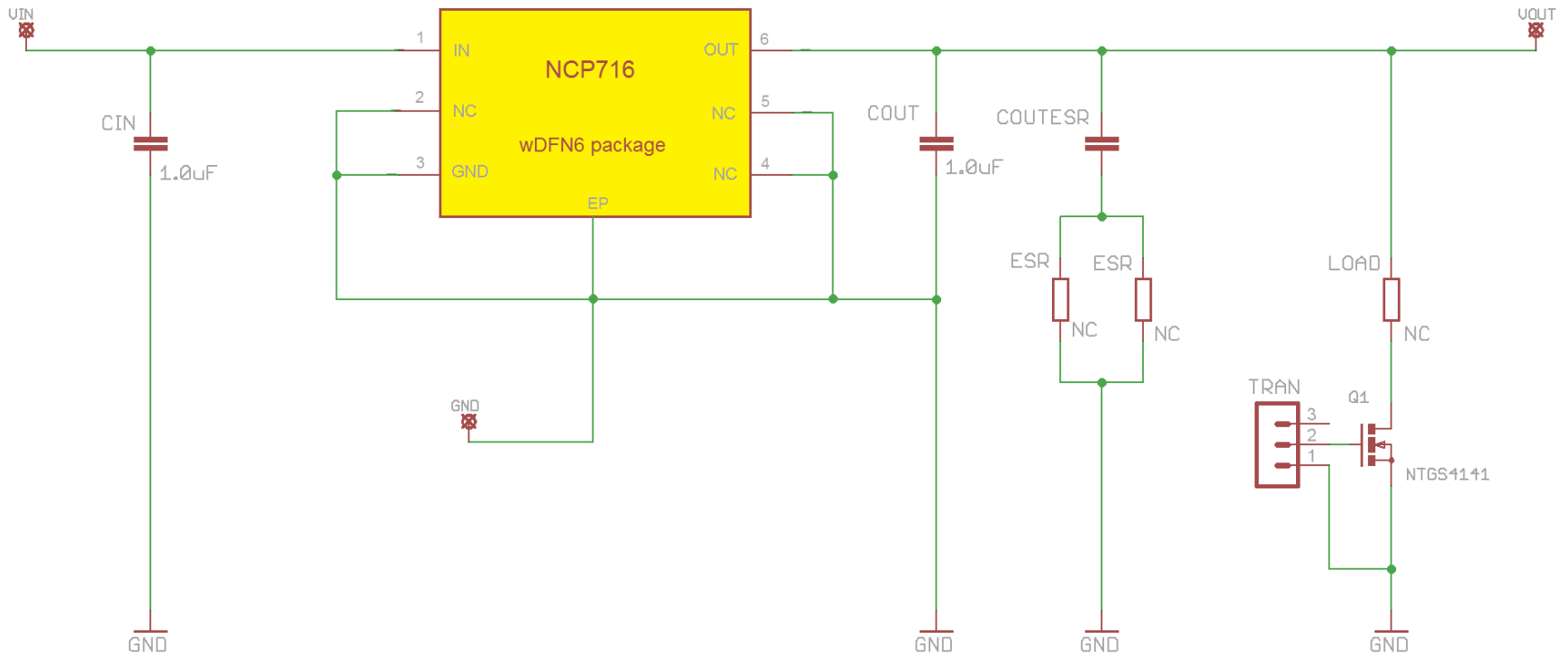


Schematic for the NCP716MTTBGEVB Evaluation Board



ON Semiconductor®

