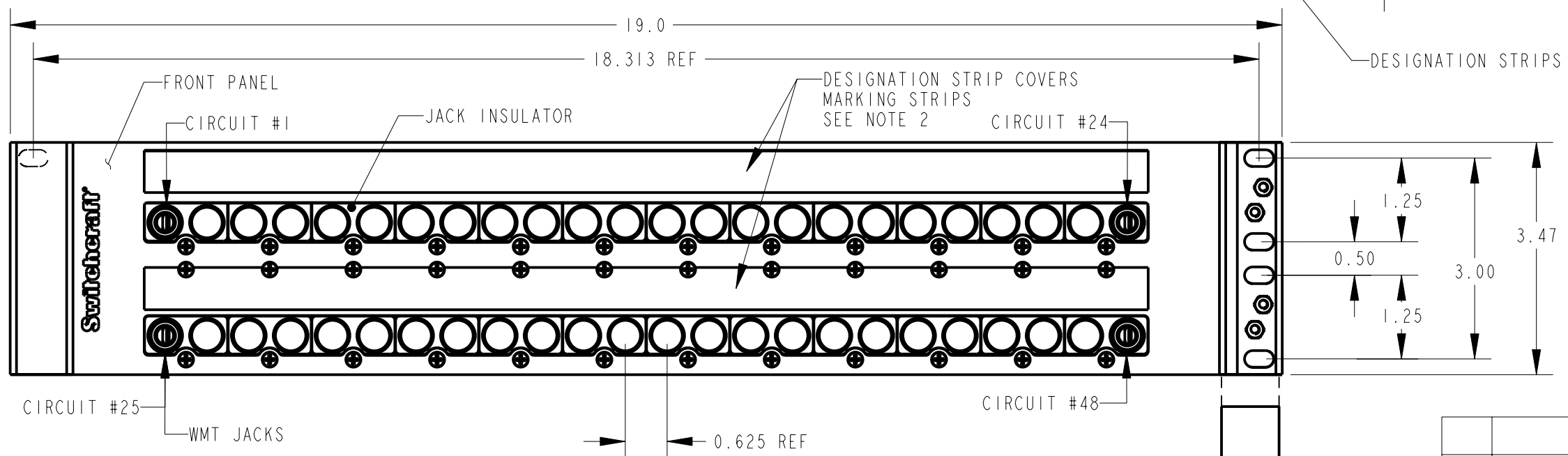
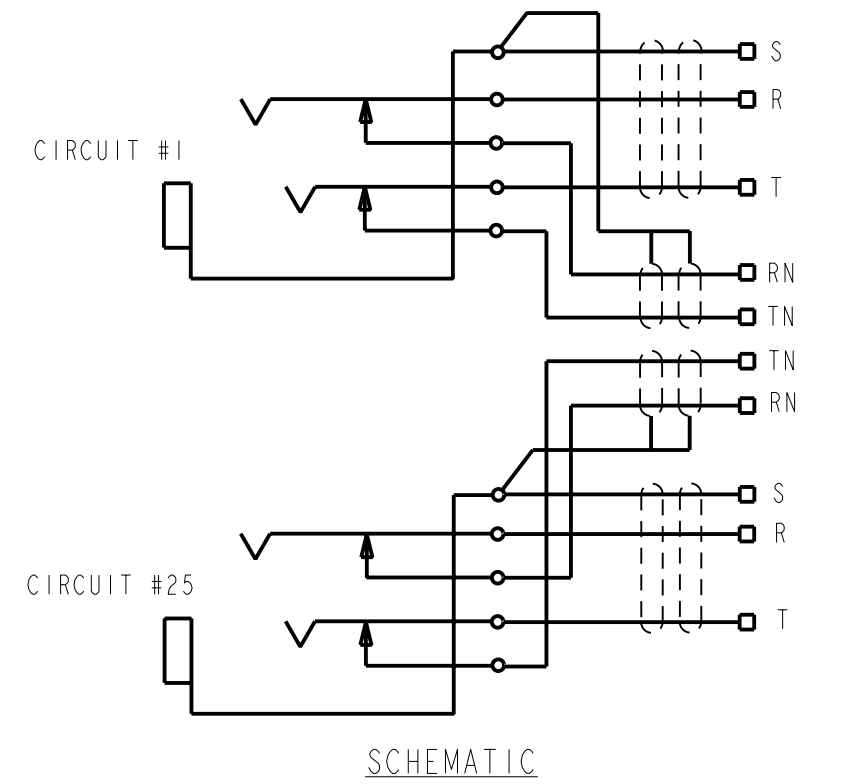
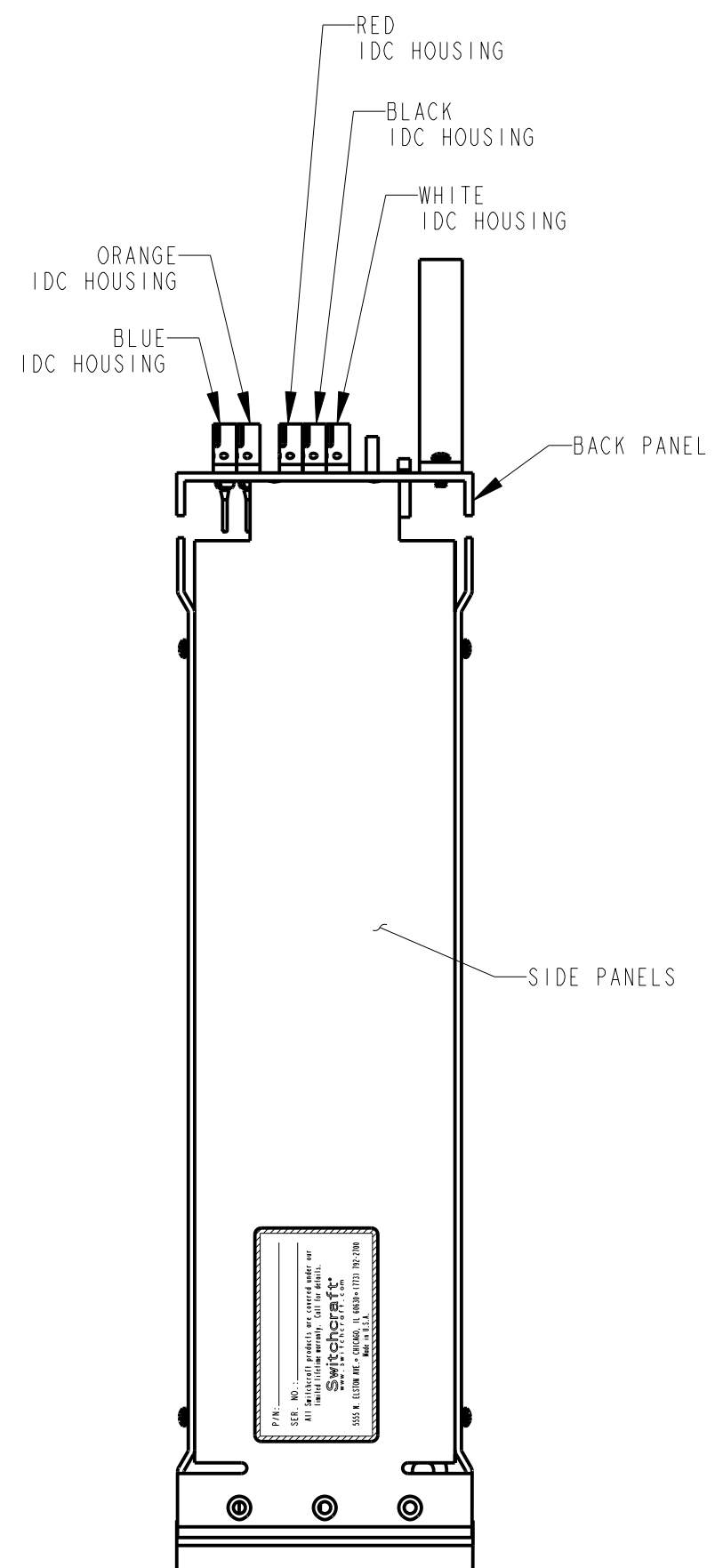
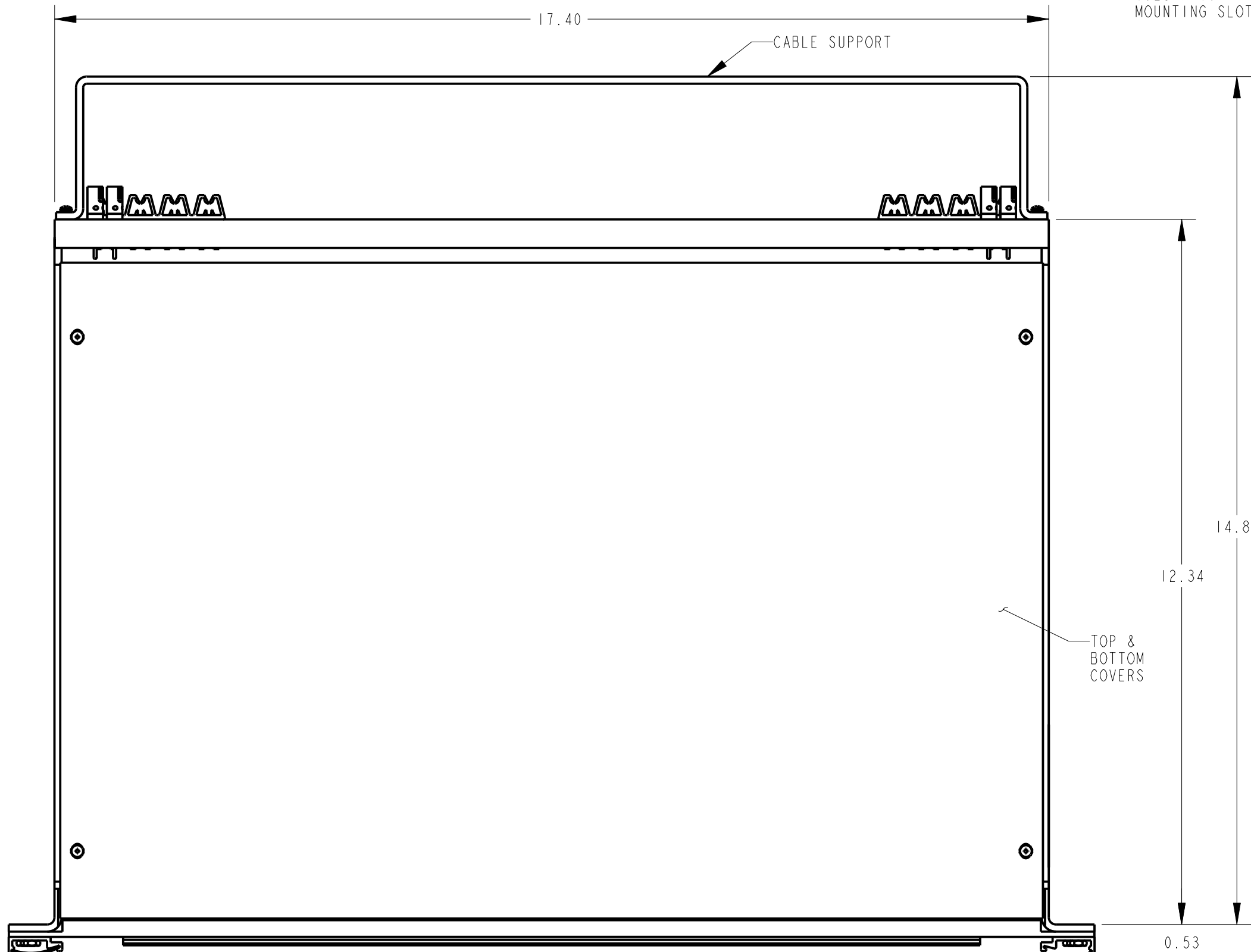


0.25 X 0.44 MOUNTING SLOTS TYP



MARKING STRIP COVERS MARKING STRIPS SEE NOTE 2 (THESE PARTS REMOVED FOR CLARITY)

NOTES:

- MATERIALS:
 FRONT PANEL - ALUMINUM, BLACK ANODIZE
 TOP & BOTTOM COVERS - ALUMINUM, BLACK ANODIZE
 SIDE PANELS - STEEL, BLACK EPOXY PAINT
 BACK PANEL - ALUMINUM, BLACK ANODIZE
 CABLE SUPPORT - STEEL, BLACK EPOXY PAINT
 IDC HOUSING - THERMOPLASTIC, RED, BLACK, WHITE, ORANGE & BLUE
 IDC TERMINALS - SPECIAL COPPER ALLOY, TIN PLATED
 JACK INSULATORS - THERMOPLASTIC, BLACK
 JACK BUSHING - COPPER ALLOY, NICKEL PLATED
 JACK FRAME - STEEL, NICKEL PLATED
- MARKING STRIPS AND COVERS SHIPPED ASSEMBLED

CUSTOMER DRAWING

REV	ECO NUMBER	DATE	BY	APVD
F	27083	1-25-13	TO	TJK
E	25352	5-23-06	TO	TJK
D	24497	6-20-03	JL	EB
C	24104	6-20-03	JL	EB
B	23588	1-17-01	JL	JF
A	RELEASE TO PROD. ECO #22922	9-1-99	MM	DK

★ STAR SYMBOL DENOTES CRITICAL DIMENSION
 UNLESS OTHERWISE SPECIFIED
 1. ALL DIMENSIONS IN INCHES
 - TWO PLACE DECIMALS ±0.01
 - THREE PLACE DECIMALS ±0.005
 - ANGLES ±1°
 - ALL DIA. CONCENTRIC WITHIN 0.005 T.I.R.
 2. FEATURES ON THE SAME CENTERLINE MUST BE ALIGNED WITHIN ±0.002
 3. REMOVE ALL BURRS
 DO NOT SCALE DRAWING

THIS DRAWING DESCRIBES A DESIGN CONSIDERED PROPRIETARY IN NATURE, DEVELOPED AND MANUFACTURED BY SWITCHCRAFT INC. AND IS RELEASED ON A CONFIDENTIAL BASIS FOR IDENTIFICATION PURPOSES ONLY.				
SIZE	WIDTH	MULT	LBS/M	TEMPER
FINISH		MATERIAL		
SPEC No.		SPEC No.		
FIRST USED ON		SCALE		
DATE DRAWN		BY	CHKD	APVD
1-SEP-99	MM	9-1-99	DK	12-7-99
NAME		PART No.		REV
2RU WIRED JACKFIELD		MTP48K3NO		F

Switchcraft®