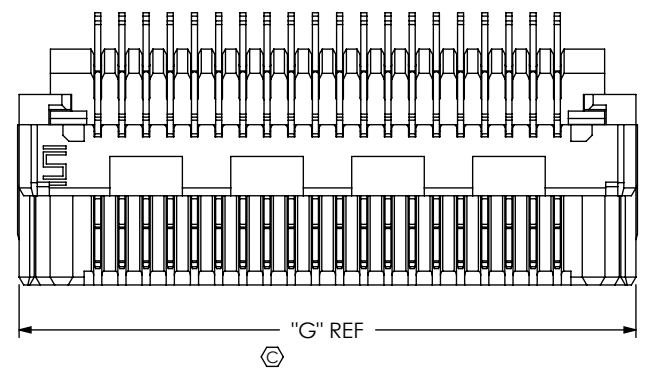


DO NOT SCALE FROM THIS PRINT

DESIGNED & DIMENSIONED IN MILLIMETERS[INCHES]

LSEM-1XX-XX-X-DH-A-X-X-TR



No OF POSITIONS
-20, -30, -40, -50

LEAD STYLE
-01:

PLATING SPECIFICATION

- F: 3μ" FLASH SELECTIVE GOLD ON CONTACT AREA, MATTE TIN ON TAIL
- L: 10μ" LIGHT SELECTIVE GOLD ON CONTACT AREA, MATTE TIN ON TAIL
- S: 30μ" SELECTIVE GOLD ON CONTACT AREA, MATTE TIN ON TAIL
- H: 30μ" HEAVY SELECTIVE GOLD ON CONTACT AREA, 3μ" FLASH GOLD ON TAIL

PACKAGING
-TR: TAPE & REEL (SEE NOTE 6)

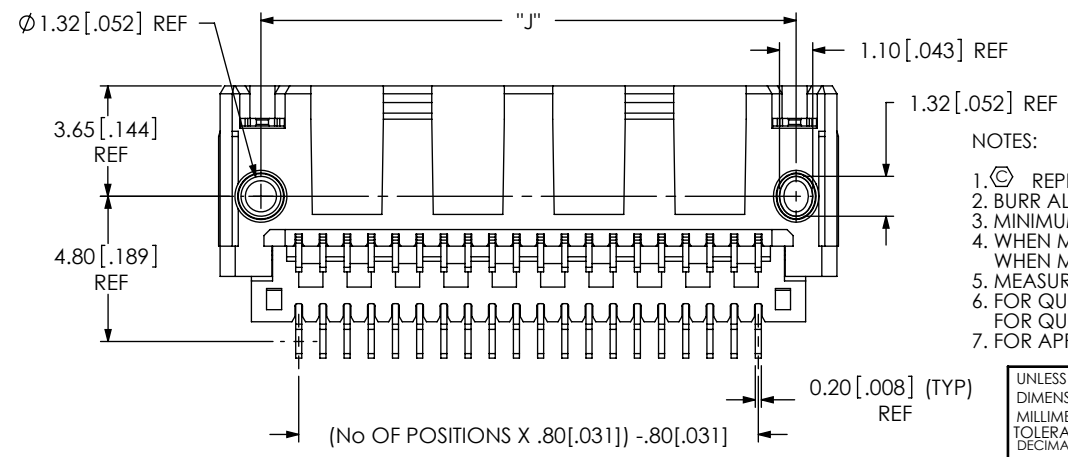
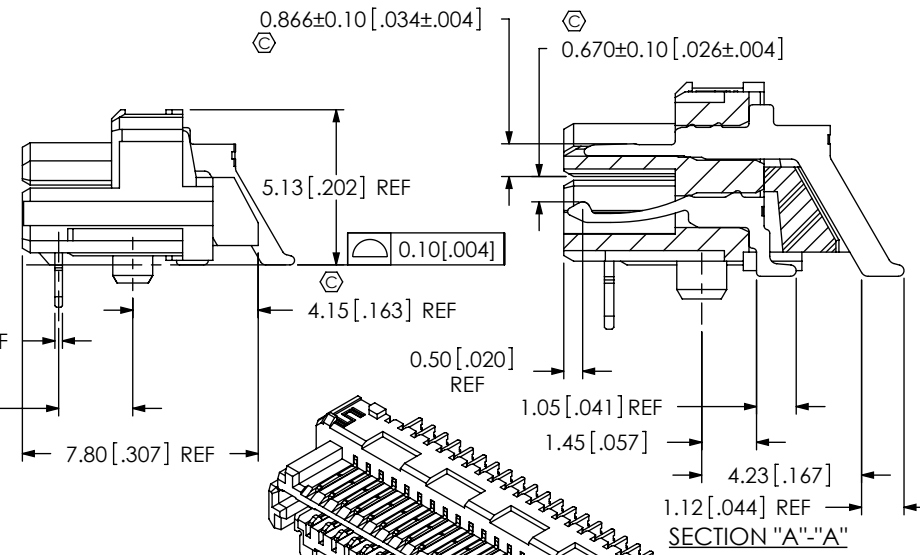
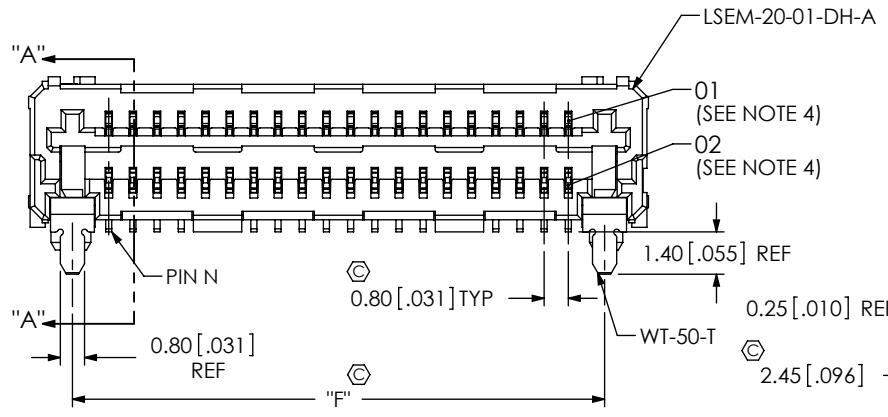
OPTION
-K: POLYIMIDE FILM (SEE SHT 2, FIG3) (USE K-DOT-.217-.313-.005)

SHIELD
* -S: WITH SHIELD (SEE SHT 2, FIG2)
-N: NO SHIELD

OPTION
-A: ALIGNMENT PIN

TAIL OPTION
-DH: DUAL HORIZONTAL

*= NOT RELEASED FOR PRODUCTION



NOTES:

1. Ⓢ REPRESENTS A CRITICAL DIMENSION.
2. BURR ALLOWANCE: .038 [.0015]
3. MINIMUM PUSHOUT FORCE: 2.22 N [.5 LBS].
4. WHEN MATING WITH ANOTHER LSEM-DH, 01 WILL MATE WITH CONTACT 02 ON MATING CONNECTOR WHEN MATING WITH A LSEM-DV, PIN 01 WILL MATE WITH PIN N, WHERE N = TOTAL NUMBER OF POSITIONS.
5. MEASURE FROM TOP OF VERTICAL WALL.
6. FOR QUANTITIES UP TO 49 PCS., NO LEADER, TRAILER OR REEL WILL BE SUPPLIED.
7. FOR QUANTITIES OF 50-124 PCS., NO LEADER OR TRAILER WILL BE SUPPLIED.
7. FOR APPLICATIONS REQUIRING TWO OR MORE CONNECTORS PER BOARD, CONTACT IPG@SAMTEC.COM.

UNLESS OTHERWISE SPECIFIED, DIMENSIONS ARE IN MILLIMETERS[INCHES]. TOLERANCES ARE: DECIMALS ANGLES

X.X: ±0.3 [.01] 2°
X.XX: ±0.13 [.005]
X.XXX: ±0.051 [.0020]

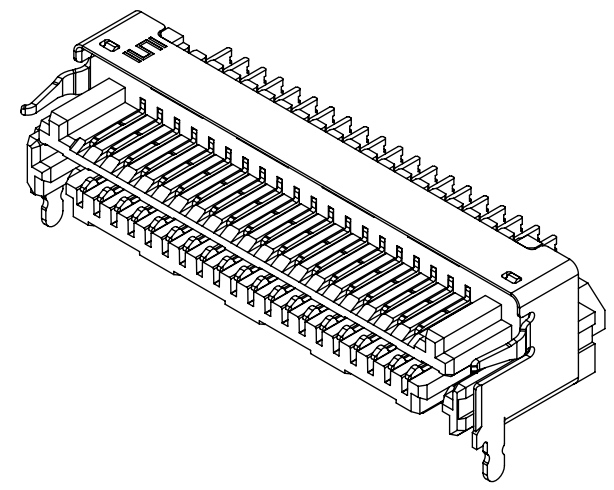
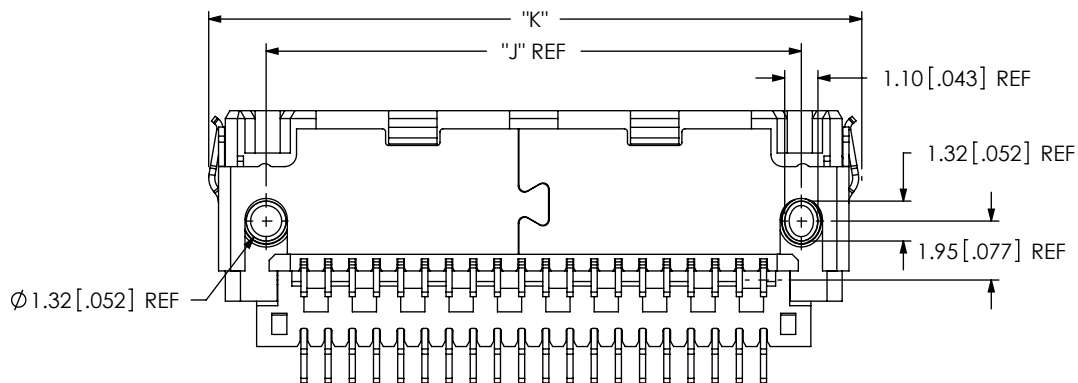
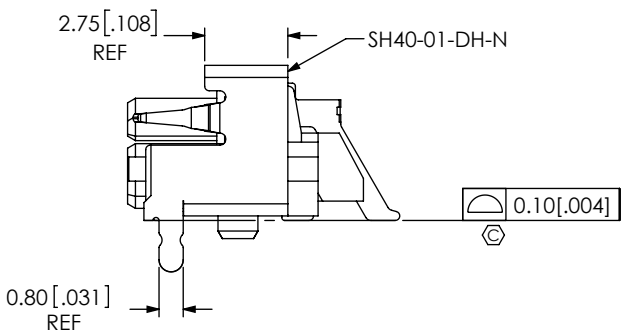
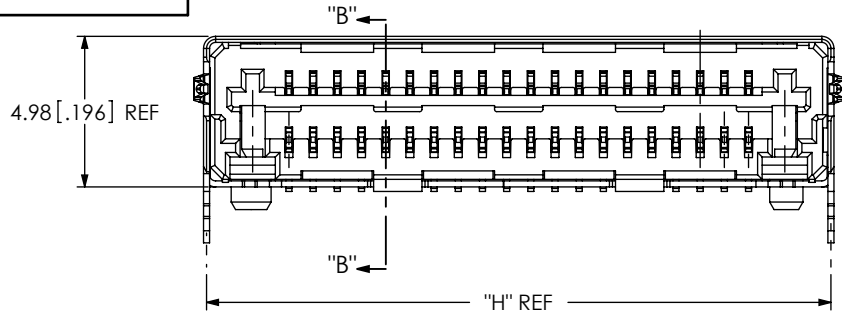
PROPRIETARY NOTE
THIS DOCUMENT CONTAINS CONFIDENTIAL AND PROPRIETARY INFORMATION AND ALL DESIGN, MANUFACTURING, REPRODUCTION, USE, PATENT RIGHTS AND SALES RIGHTS ARE EXPRESSLY RESERVED BY SAMTEC, INC. THIS DOCUMENT SHALL NOT BE DISCLOSED, IN WHOLE OR PART, TO ANY UNAUTHORIZED PERSON OR ENTITY NOR REPRODUCED, TRANSFERRED OR INCORPORATED IN ANY OTHER PROJECT IN ANY MANNER WITHOUT THE EXPRESS WRITTEN CONSENT OF SAMTEC, INC.

520 PARK EAST BLVD, NEW ALBANY, IN 47150
PHONE: 812-944-6733 FAX: 812-948-5047
PHONE: 812-944-6733 FAX: 812-948-5047

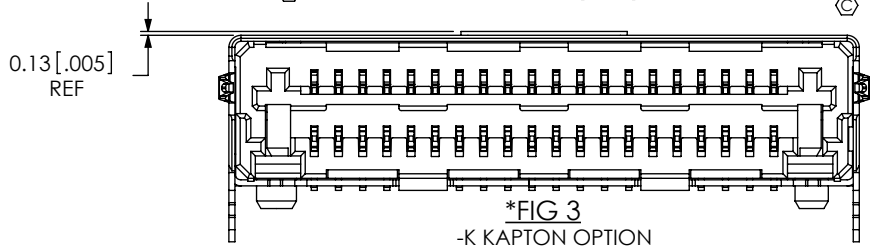
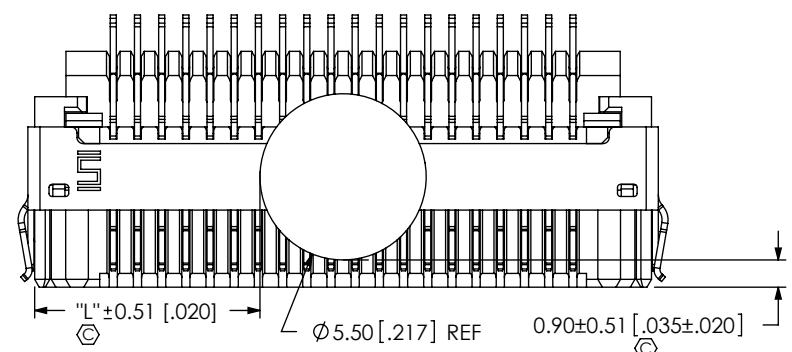
MATERIAL: DO NOT SCALE DRAWING SHEET SCALE: 1:0.2
INSULATOR: BLACK, LCP, UL 94 V0
CONTACT: PHOS BRONZE
SHIELD: STAINLESS STEEL
WELD TAB: COPPER

DESCRIPTION:
0.8mm HERMAPHRODITIC HORIZONTAL FOR LSEM-DH
DWG. NO.
LSEM-1XX-XX-X-DH-A-X-X-TR

BY: CHADP 04/08/2009 SHEET 1 OF 3



***FIG 2**
SHIELD OPTION
LSEM-120-01-XX-DH-A-S-X SHOWN
(SAME AS FIG1 DIFFERENT AS SHOWN)
(*= NOT RELEASED FOR PRODUCTION)



***FIG 3**
-K KAPTON OPTION
LSEM-120-01-XX-DH-A-S-K SHOWN
(SAME AS FIG1 DIFFERENT AS SHOWN)
(*= NOT RELEASED FOR PRODUCTION)

TABLE 1

No OF POSITIONS	"F"	"G"	"H"	"J"	"K"	"L"
-20	17.60 [0.693]	20.40 [0.803]	20.85 [0.821]	17.70 [0.697]	21.70 [0.854]	7.45 [0.293]
-30	25.60 [1.008]	28.40 [1.118]	28.85 [1.136]	25.70 [1.012]	29.70 [1.169]	11.45 [0.451]
-40	33.60 [1.323]	36.40 [1.433]	36.85 [1.451]	33.70 [1.327]	37.70 [1.484]	15.45 [0.608]
-50	41.60 [1.638]	44.40 [1.748]	44.85 [1.766]	41.70 [1.642]	45.70 [1.799]	19.45 [0.766]

PROPRIETARY NOTE
THIS DOCUMENT CONTAINS CONFIDENTIAL AND PROPRIETARY INFORMATION AND ALL DESIGN, MANUFACTURING, REPRODUCTION, USE, PATENT RIGHTS AND SALES RIGHTS ARE EXPRESSLY RESERVED BY SAMTEC, INC. THIS DOCUMENT SHALL NOT BE DISCLOSED, IN WHOLE OR PART, TO ANY UNAUTHORIZED PERSON OR ENTITY NOR REPRODUCED, TRANSFERRED OR INCORPORATED IN ANY OTHER PROJECT IN ANY MANNER WITHOUT THE EXPRESS WRITTEN CONSENT OF SAMTEC, INC.

DO NOT SCALE DRAWING
SHEET SCALE: 1:0.2



520 PARK EAST BLVD, NEW ALBANY, IN 47150
PHONE: 812-944-6733 FAX: 812-948-5047
PHONE: 812-944-6733 FAX: 812-948-5047

DESCRIPTION:
0.8mm HERMAPHRODITIC HORIZONTAL FOR LSEM -DH
DWG. NO.

LSEM-1XX-XX-X-DH-A-X-X-TR

BY: CHADP 04/08/2009 SHEET 2 OF 3

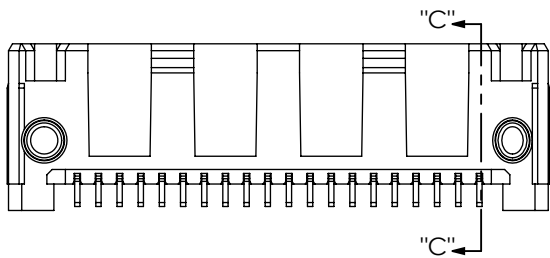
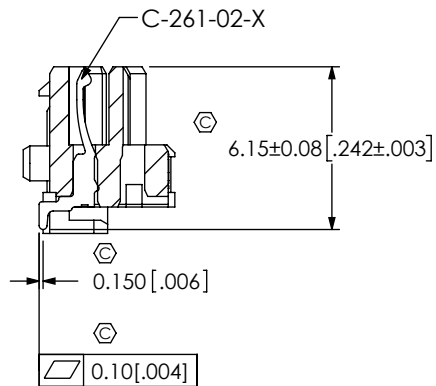
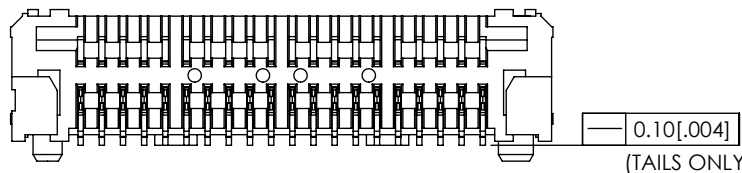


FIG 4
(IN PROCESS 1)



SECTION "C"-"C"
SCALE 3.5 : 1



BACK VIEW

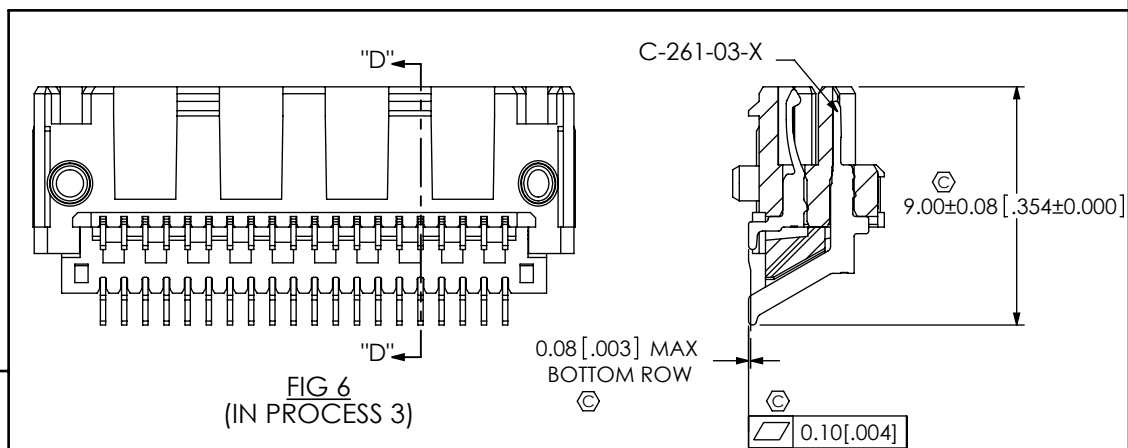
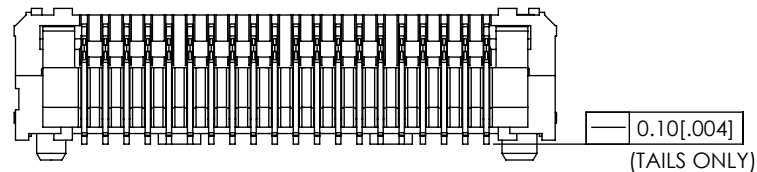


FIG 6
(IN PROCESS 3)



BACK VIEW

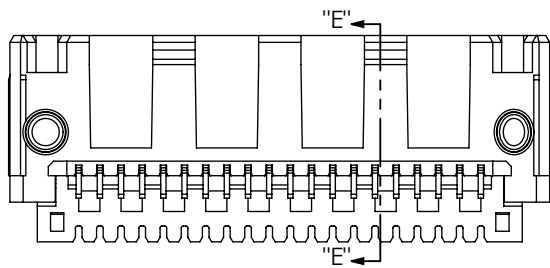
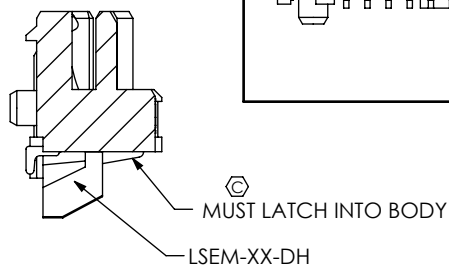


FIG 5
(IN PROCESS 2)



SECTION "E"-"E"
SCALE 3.5 : 1

PROPRIETARY NOTE
THIS DOCUMENT CONTAINS CONFIDENTIAL AND PROPRIETARY INFORMATION AND ALL DESIGN, MANUFACTURING, REPRODUCTION, USE, PATENT RIGHTS AND SALES RIGHTS ARE EXPRESSLY RESERVED BY SAMTEC, INC. THIS DOCUMENT SHALL NOT BE DISCLOSED, IN WHOLE OR PART, TO ANY UNAUTHORIZED PERSON OR ENTITY NOR REPRODUCED, TRANSFERRED OR INCORPORATED IN ANY OTHER PROJECT IN ANY MANNER WITHOUT THE EXPRESS WRITTEN CONSENT OF SAMTEC, INC.

DO NOT SCALE DRAWING
SHEET SCALE: 5:1



520 PARK EAST BLVD., NEW ALBANY, IN 47150
PHONE: 812-944-6733 FAX: 812-948-5047
PHONE: 812-944-6733 FAX: 812-948-5047

DESCRIPTION:
0.8mm HERMAPHRODITIC HORIZONTAL FOR LSEM -DH

DWG. NO.
LSEM-1XX-XX-X-DH-A-X-X-TR

BY: CHADP 04/08/2009 SHEET 3 OF 3