

4

3

2

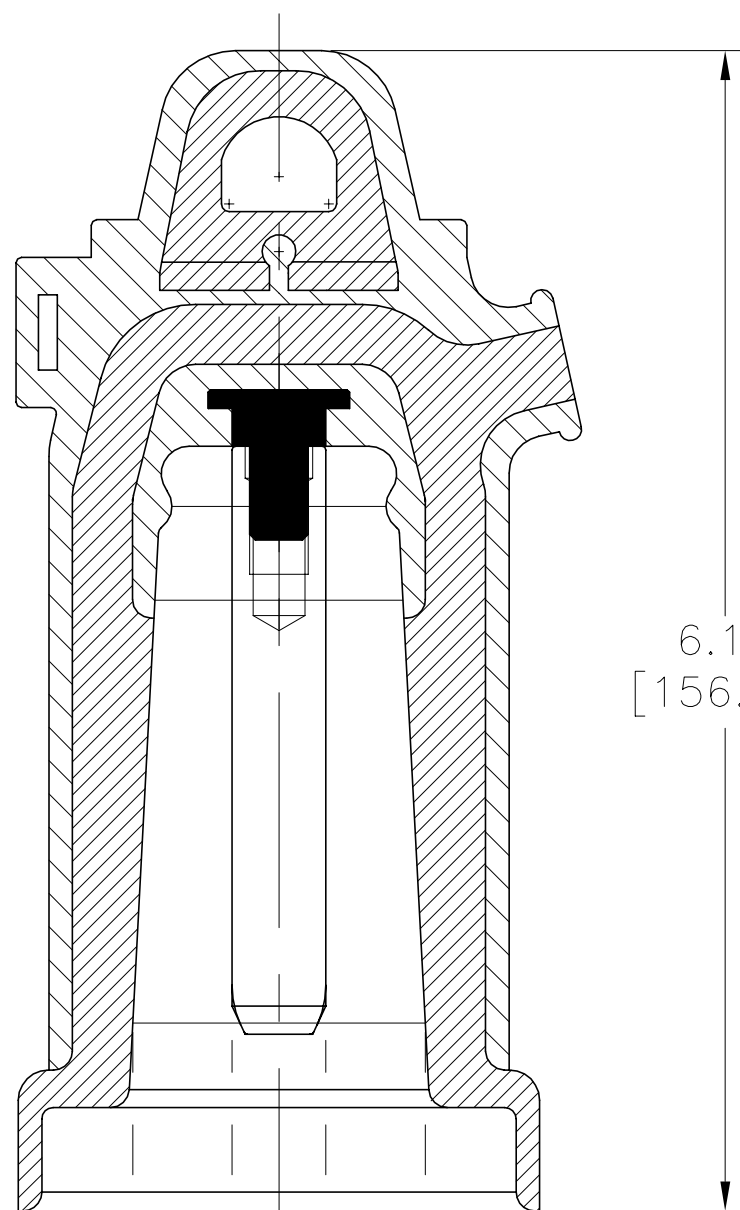
1

© - TE Connectivity. All Rights Reserved.

REVISIONS

RPN	DESCRIPTION
EE5633-000	ELB-15-200-IC

P	LTR	DESCRIPTION	DATE	DWN	APVD
	B	NEW DRAWING	17JUL2020	KR	EDW

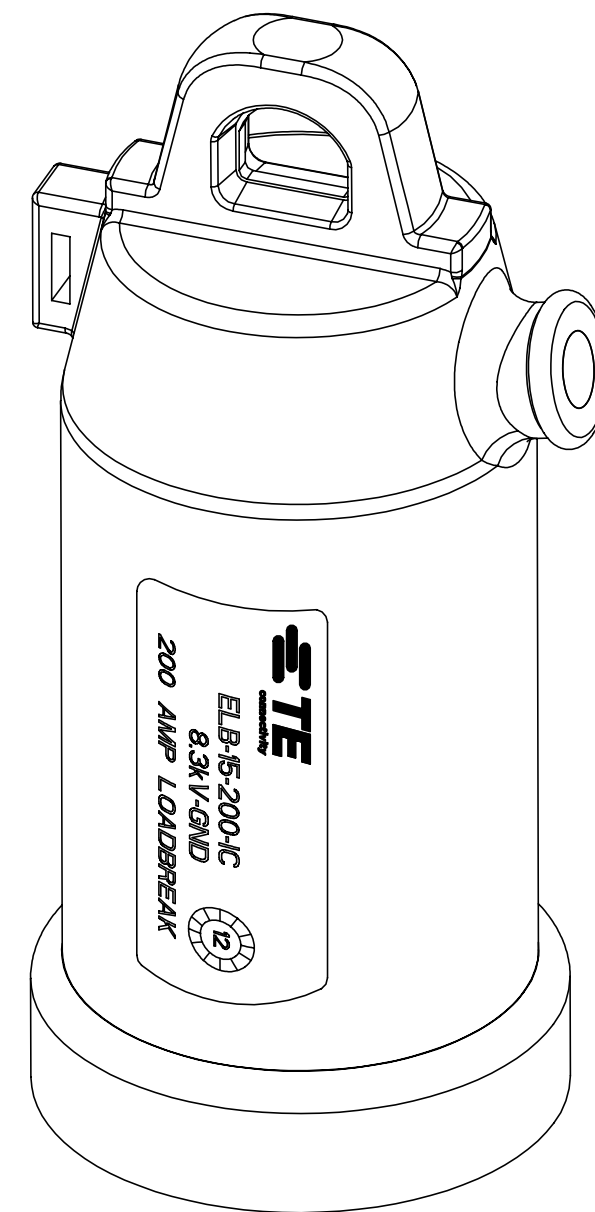
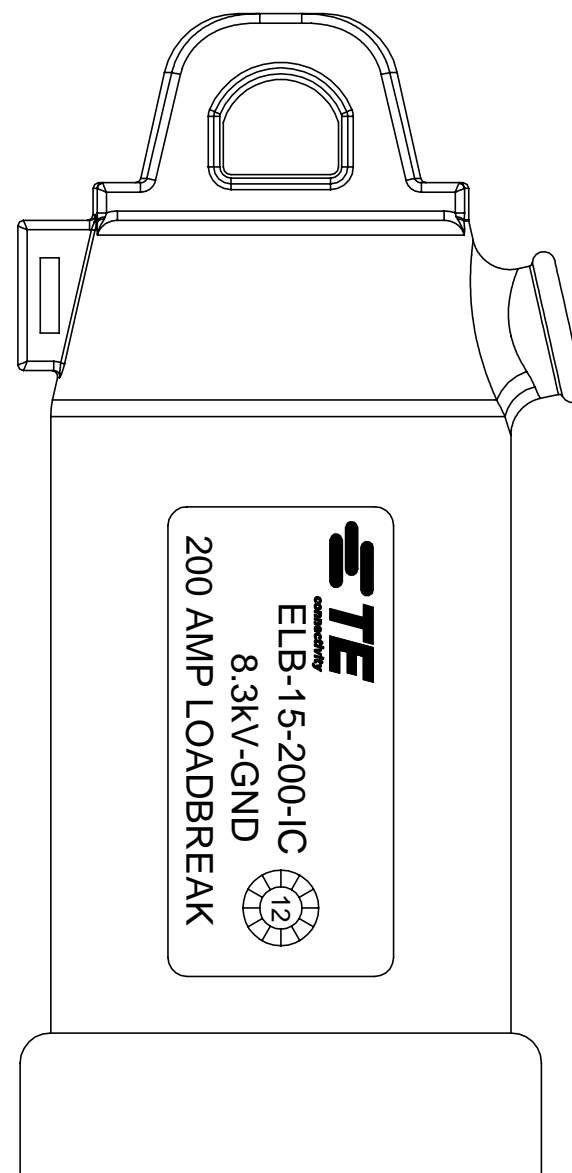


6.18
[156.84]

∅0.50
[12.70]

∅1.53 [39.00]

∅2.525 [64.135]



DWN	17JUL2020
CHK	17JUL2020
APVD	17JUL2020
PRODUCT SPEC	
APPLICATION SPEC	
WEIGHT	

STE TE Connectivity

NAME		15KV 200A INSULATING CAP		
SIZE	CAGE CODE	DRAWING NO	RESTRICTED TO	
A3	00779	C-NC-P5035	-	
CUSTOMER DRAWING		SCALE	SHEET	REV
		NTS	1 of 1	B

DIMENSIONS:
INCHES [mm]