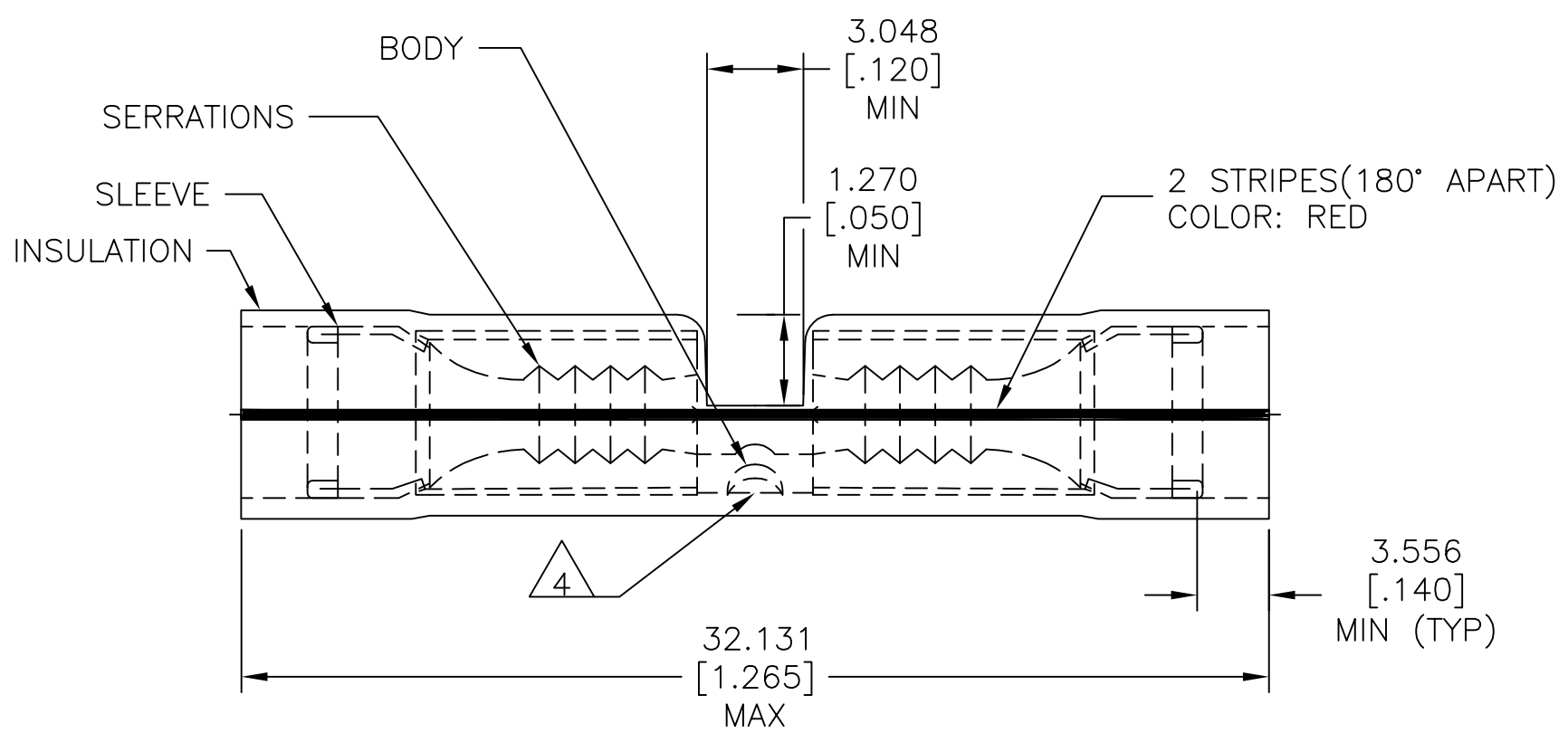
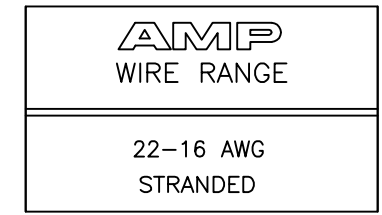


REVISIONS					
P	LTR	DESCRIPTION	DATE	DWN	APVD
	K	REV PER 0G3A-0582-04	31AUG04	JR	TM
	K1	REVISED PER ECO-17-007400	22NOV2017	RS	DR



- 1 WIRE INSULATION  $\phi 2.032[\phi.080]$  TO  $\phi 3.175[\phi.125]$ .
- 2 FINISH:  
 BODY AND SLEEVE: TIN/LEAD (93-7) PLATE PER ASTM B545.(3% MIN LEAD CONTENT)  
 INSULATION: COLOR-NATURAL.
- 3 MATERIAL:  
 BODY AND SLEEVE: COPPER PER ASTM B152  
 INSULATION: PVF<sup>2</sup>
- 4 STAMP AMP 22-18\* APPROX AS SHOWN.  
 22-16 TERMINALS ARE STAMPED  
 22-18 IN ACCORDANCE WITH MILITARY SPEC SAE AS 7928.  
 COMMERCIAL WIRE RANGE IS 22-16.

M7928/6-3 CLASS 2	2500	ON TAPE	53548-2
M7928/6-3 CLASS 1 & 2	1000	LOOSE PIECE	53548-1
MILITARY PART NUMBER & CLASS	QTY	PACKAGE TYPE	PART NO.

AMP INCORPORATED CUSTOMER SERVICE SYSTEMS		MAX RECOMMENDED OPERATING TEMPERATURE: 150°C[302°F]	THIS DRAWING IS A CONTROLLED DOCUMENT.		DWN S.S. GOULDEN 9-28-93	TE Connectivity NAME SPLICE, BUTT,PVF <sup>2</sup> , P.I.D.G., WIRE SIZE: 22-16 AWG					
FOR ADDITIONAL PRODUCT INFORMATION OR COPIES OF DRAWINGS AND TECHNICAL DOCUMENTS	PRODUCT INFORMATION CENTER 1-800-522-6752	VOLTAGE RATING: -	DIMENSIONS: mm [INCHES]	TOLERANCES UNLESS OTHERWISE SPECIFIED:	CHK R. HERSEY 9-28-93					APVD M ELLIS 9-28-93	PRODUCT SPEC
FOR APPLICATION TOOLING INFORMATION	TOOLING ASSISTANCE CENTER 1-800-722-1111	CIRCULAR MIL AREA: 0.26-1.65mm <sup>2</sup> [509-3,260] STRANDED		0 PLC ± - 1 PLC ± - 2 PLC ± - 3 PLC ± 0.127[.005] 4 PLC ± - ANGLES ± -	APVD M ELLIS 9-28-93	PRODUCT SPEC	APPLICATION SPEC	SIZE	CAGE CODE	DRAWING NO	RESTRICTED TO
FOR ORDER ENTRY	1-800-526-5142	THIS DRAWING IS A CONTROLLED DOCUMENT FOR AMP INCORPORATED. IT IS SUBJECT TO CHANGE AND THE CONTROLLING ENGINEERING ORGANIZATION SHOULD BE CONTACTED FOR THE LATEST REVISION.	MATERIAL	FINISH	114-2157	WEIGHT	-	A3	00779	C=53548	-
					CUSTOMER DRAWING	SCALE	1:1	SHEET	1 OF 1	REV	K1