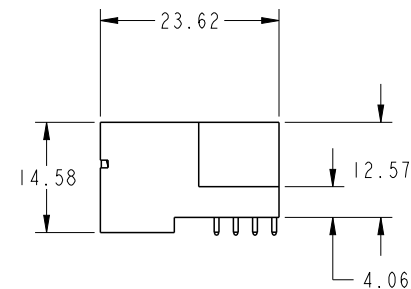
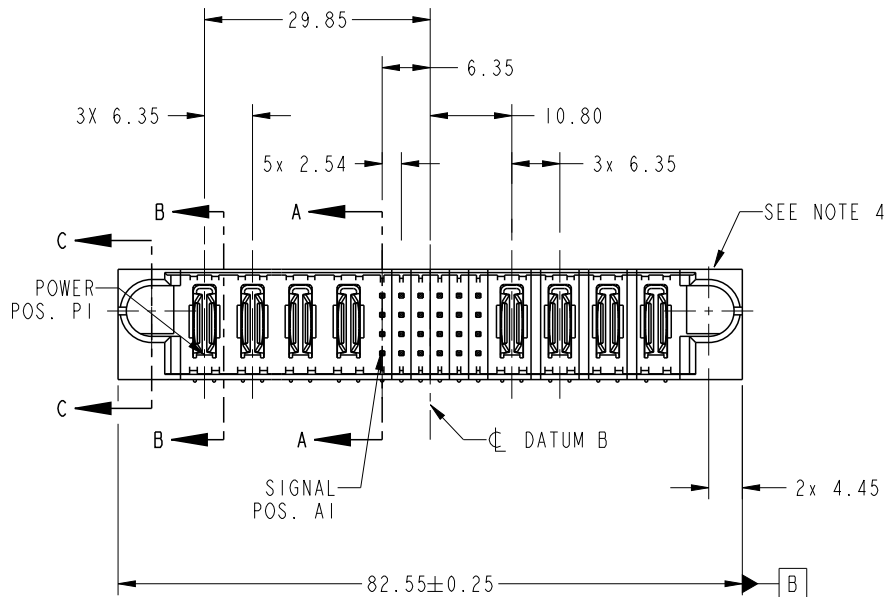


| | | | | | | | | | | | | | | | | |
|-----------------------|------------------|-------|----|----|----|--------|---|---|---|---|---|-------|----|----|----|----|
| PRODUCT NO. | ROWS | POWER | | | | SIGNAL | | | | | | POWER | | | | E2 |
| | | E1 | P1 | P2 | P3 | P4 | 1 | 2 | 3 | 4 | 5 | 6 | P5 | P6 | P7 | |
| 51730-218-- NOTE 3 | D C B A | | PC | PC | PC | PC | V | Q | P | N | A | PC | PC | PC | PC | |



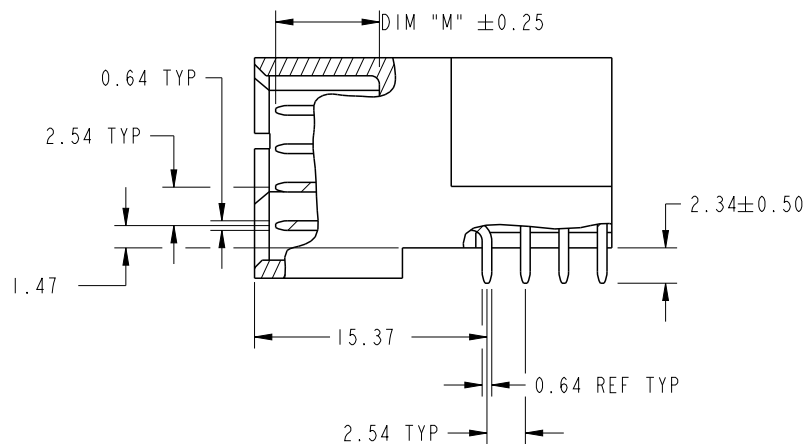
| CODE | DIM "M" MATING LENGTH | CONTACT TYPE |
|------|-----------------------|--------------|
| V | [6.86] | SIGNAL |
| Q | [6.86] | SIGNAL |
| P | [6.86] | SIGNAL |
| N | [6.86] | SIGNAL |
| A | [5.59] | SIGNAL |
| PC | [N/A] | POWER |

| | | | | | | | | | | |
|---------------|---------------------------------------|---------|----------------|------------|---------------------------|----------|--------|-----------|-----------|------------------------|
| spec ref | * | dr | Ruan MT | 2014/01/23 | projection | MM | size | A4 | scale | 1:1 |
| tolerance std | TOLERANCES UNLESS OTHERWISE SPECIFIED | eng | Ruan MT | 2014/02/14 | | | ecn no | - | rel level | Released |
| ASME Y14.5 | | chr | - | - | | | | | | |
| surface | linear | appr | Pei-Ming Zheng | 2014/02/14 | product family | PwrBlade | | rev | A | |
| ASME Y14.5 | | angular | 0° | ±2° | www.fci.com | cat. no. | - | | | Product - Customer Drw |
| | | | | title | 4P + 24S + 4P | | dwg no | 51730-218 | | |
| | | | | | RIGHT ANGLE SOLDER HEADER | | | | | |

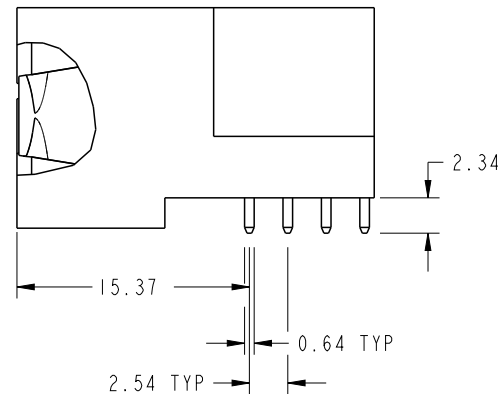
PrdE File - REV C - 2009-06-09

PRODUCT NUMBER

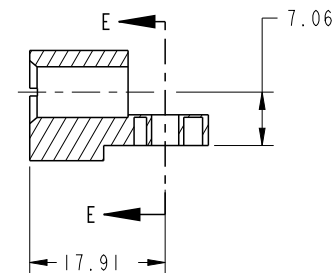
51730-218--
NOTE: 3



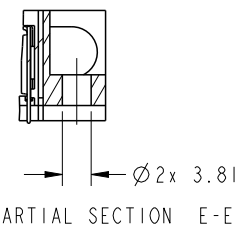
BROKEN-OUT SECTION A-A
SCALE 2:1



BROKEN-OUT SECTION B-B
SCALE 2:1



SECTION C-C



PARTIAL SECTION E-E

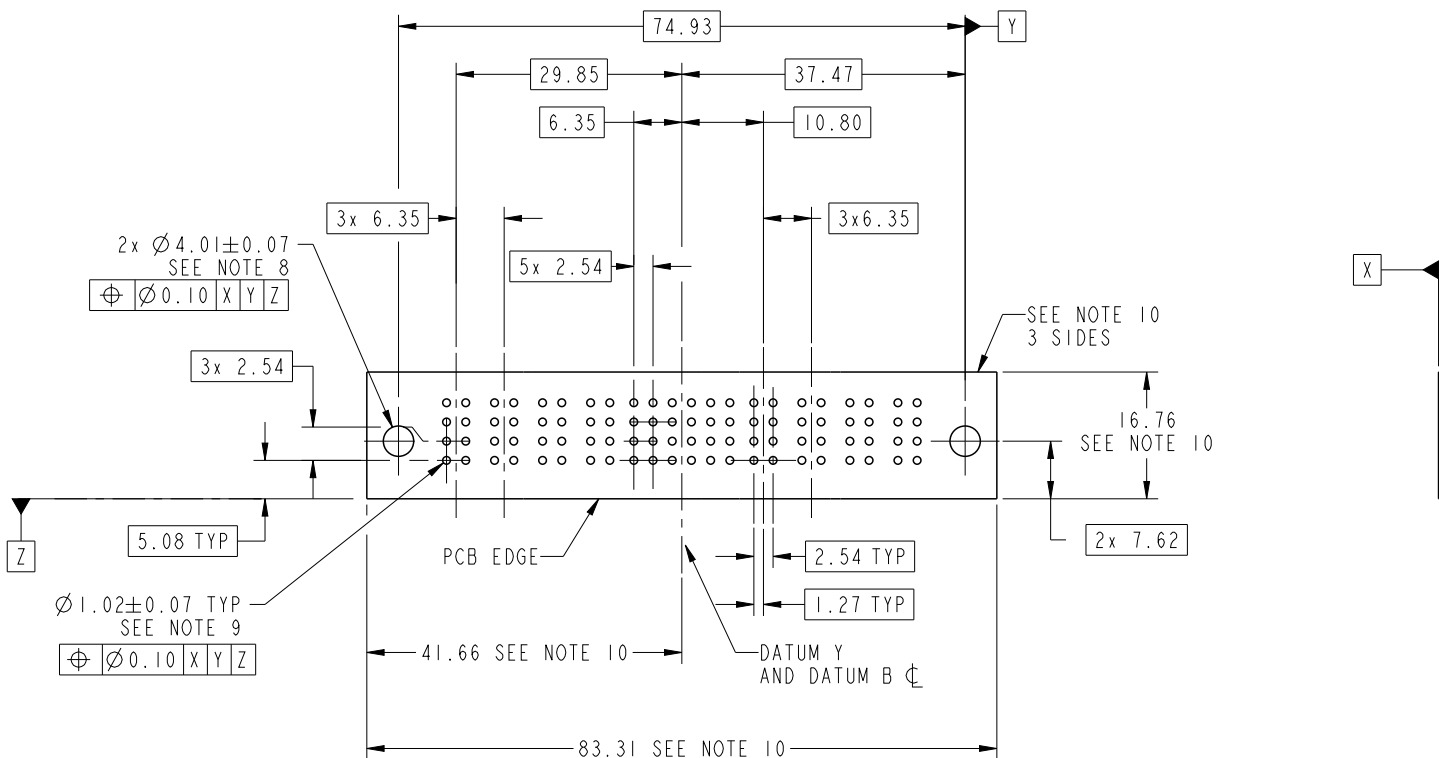
| | | | | | | | | |
|-------------|----------------|--|------------------------|----------|--------------|----------|-------|-----|
| dr | Ruan MT | 2014/01/23 | projection | MM | size | A4 | scale | 1:1 |
| eng | Ruan MT | 2014/02/14 | | | ecn no | - | | |
| chr | - | - | | | rel level | Released | | |
| appr | Pei-Ming Zheng | 2014/02/14 | product family | PwrBlade | | | | |
| | title | 4P + 24S + 4P RIGHT ANGLE SOLDER HEADER | | dwg no | 51730-218 | | rev | A |
| www.fci.com | cat. no. | - | Product - Customer Drw | | sheet 2 of 4 | | | |



Copyright FCI.

PRODUCT NUMBER

51730-218__
NOTE: 3



RECOMMENDED PCB LAYOUT

| | | | | | | | | |
|-------------|----------------|--|------------------------|----------|--------------|----------|-------|-----|
| dr | Ruan MT | 2014/01/23 | projection | MM | size | A4 | scale | 1:1 |
| eng | Ruan MT | 2014/02/14 | | | ecn no | - | | |
| chr | - | - | | | rel level | Released | | |
| appr | Pei-Ming Zheng | 2014/02/14 | product family | PwrBlade | rev | A | | |
| | title | 4P + 24S + 4P RIGHT ANGLE SOLDER HEADER | | dwg no | 51730-218 | | | |
| www.fci.com | cat. no. | - | Product - Customer Drw | | sheet 3 of 4 | | | |

PRODUCT NUMBER

51730-218--
NOTE: 3

NOTES:

1. DIMENSIONS AND TOLERANCES ARE IN ACCORDANCE WITH ASME Y14.5M, 1994 UNLESS OTHERWISE SPECIFIED.

CONNECTOR NOTES:

- 2. HOUSING MATERIAL: UL 94 V-0 GLASS FILLED HIGH-TEMP THERMOPLASTIC
POWER CONTACT MATERIAL: COPPER ALLOY
SIGNAL PIN MATERIAL: COPPER ALLOY
- 3. SEE ITEM 1 & 2 IN PRINT 10064183 FOR PLATING SPEC OF 51730-218 AND 51730-218LF RESPECTIVELY.
- 4. MANUFACTURER'S NAME, DATE CODE AND OPTIONAL P/N TO APPEAR ON THIS SURFACE. THE MARK CAN BE OMITTED IF THERE IS NOT ENOUGH SPACE ON THIS SURFACE.
- 5. PRODUCT SPECIFICATION GS-12-149.
APPLICATION SPECIFICATION BUS-20-067.
- 6. PACKAGED IN TRAYS.

PCB NOTES:

- 7. ALL HOLE DIAMETERS ARE FINISHED HOLE SIZE.
- 8. MOUNTING HOLES, WHERE APPLICABLE, ARE UNPLATED.
- 9. $\varnothing 1.151 \pm 0.025$ DRILLED HOLES PLATED WITH
0.008 MIN SnPb OR Sn OVER 0.03
TO 0.08 Cu PLATING TO ACHIEVE
 $\varnothing 1.02 \pm 0.07$ HOLE.
- 10. CONNECTOR KEEP-OUT ZONE.

| | | | | | | | | | |
|-------------|----------------|--|------------------------|----------|-----------|--------------|-------|-----|---|
| dr | Ruan MT | 2014/01/23 | projection | MM | size | A4 | scale | 1:1 | |
| eng | Ruan MT | 2014/02/14 | | | ecn no | - | | | |
| chr | - | - | | | | | | | |
| appr | Pei-Ming Zheng | 2014/02/14 | product family | PwrBlade | rel level | Released | | | |
| | title | 4P + 24S + 4P RIGHT ANGLE SOLDER HEADER | | | dwg no | 51730-218 | | rev | A |
| www.fci.com | cat. no. | - | Product - Customer Drw | | | sheet 4 of 4 | | | |



Copyright FCI.