

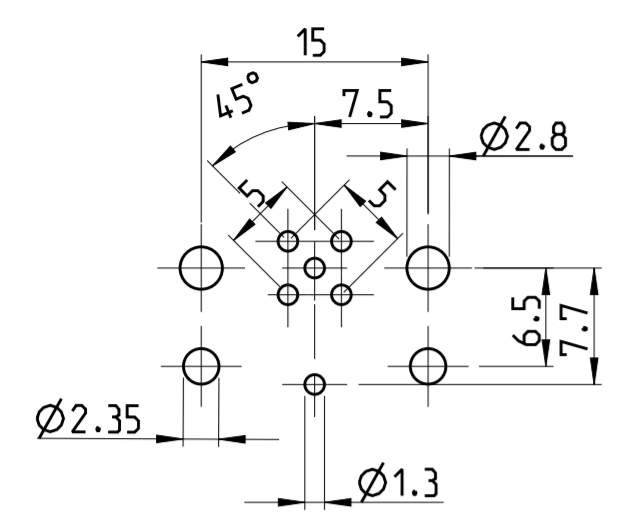
THIS DRAWING IS UNPUBLISHED. VERTRÄULICHE UNVERÖFFENTLICHTE ZEICHNUNG. RELEASED FOR PUBLICATION FREI FÜR VERÖFFENTLICHUNG. 2014. MATED WITH: PASSEND ZU: -

© COPYRIGHT 2014 Tyco Electronics AMP GmbH. ALL RIGHTS RESERVED. ALLE RECHTE VORBEHALTEN.

PROJEKT NR.: PRJ-11-000004377

REVISIONS		DATE	DWN	APVD
ÄNDERUNGEN				
DESCRIPTION				
BESCHREIBUNG				
P	LTR			
	A	28NOV2014	CR	JK

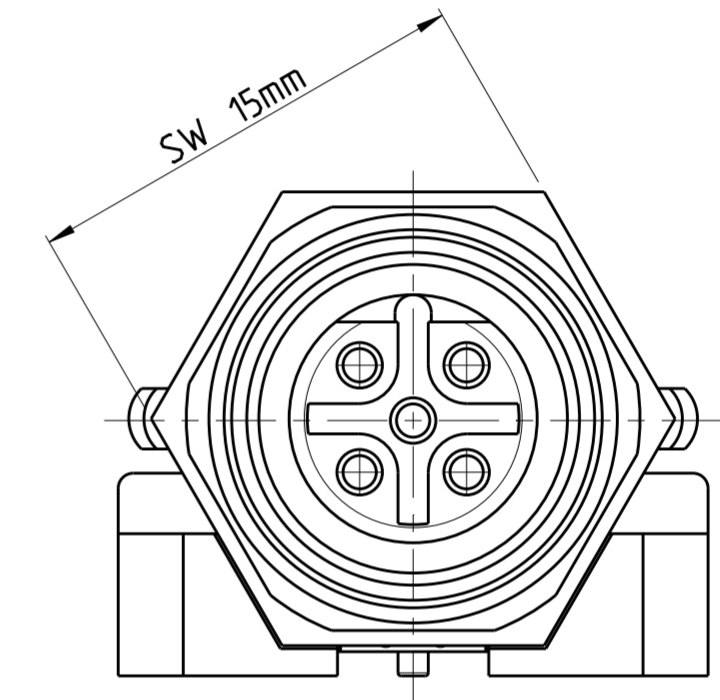
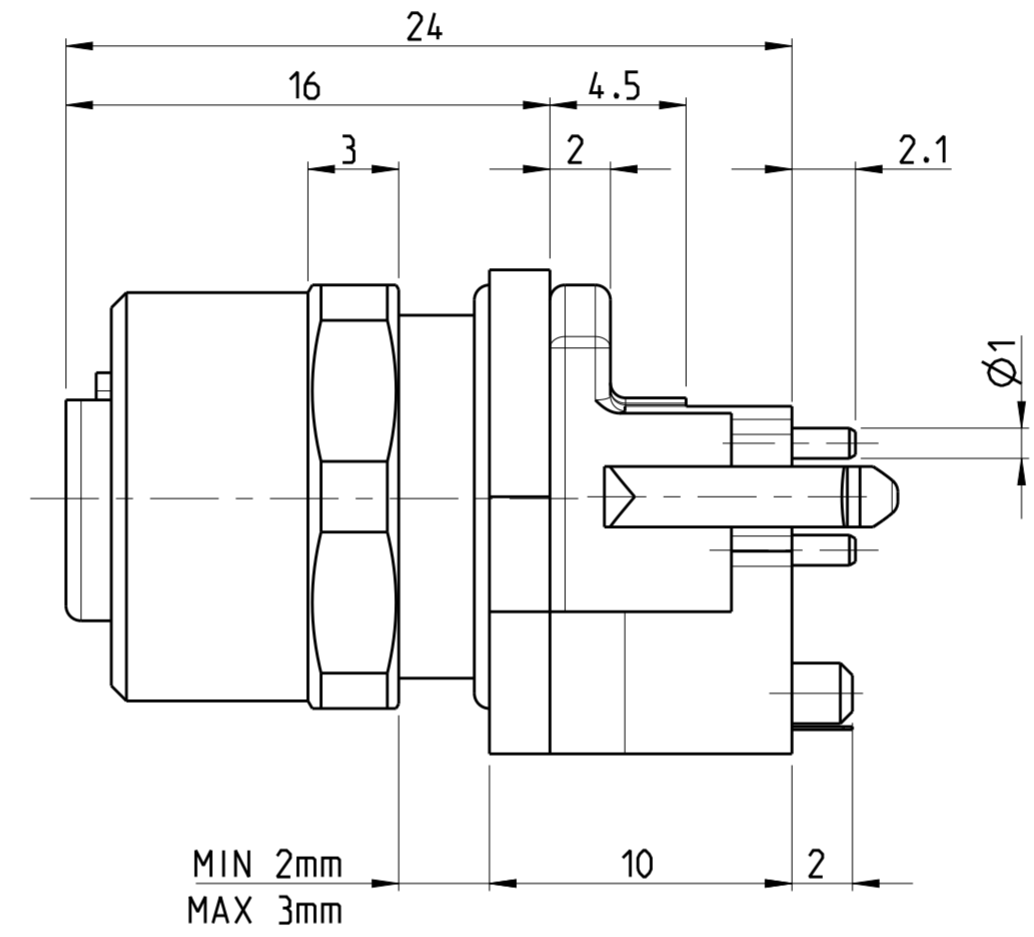
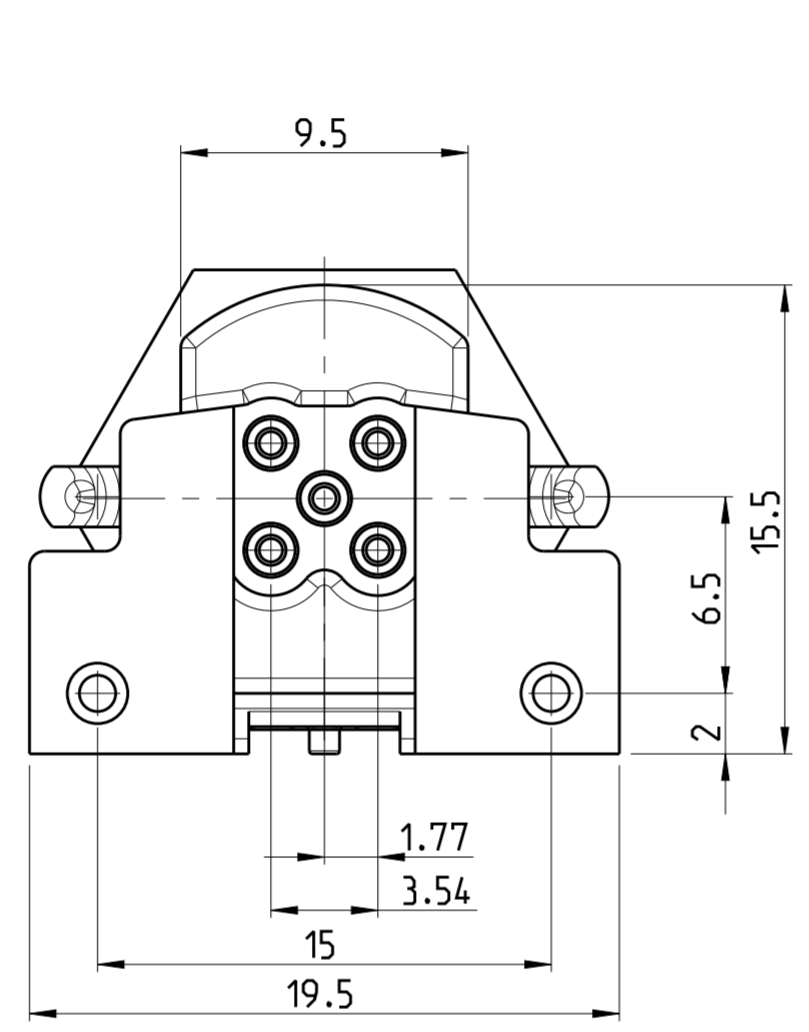
CONDUCTOR LAYOUT



⚠ MATERIAL: ITEM NO. 1: HOUSING - CuZn (BRASS NICKEL PLATED)
 ITEM NO. 2: CONTACT BODY - PA
 ITEM NO. 3: CONTACT - CuSn (BRONZE)
 CONTACT FINISH - Au (GOLD)

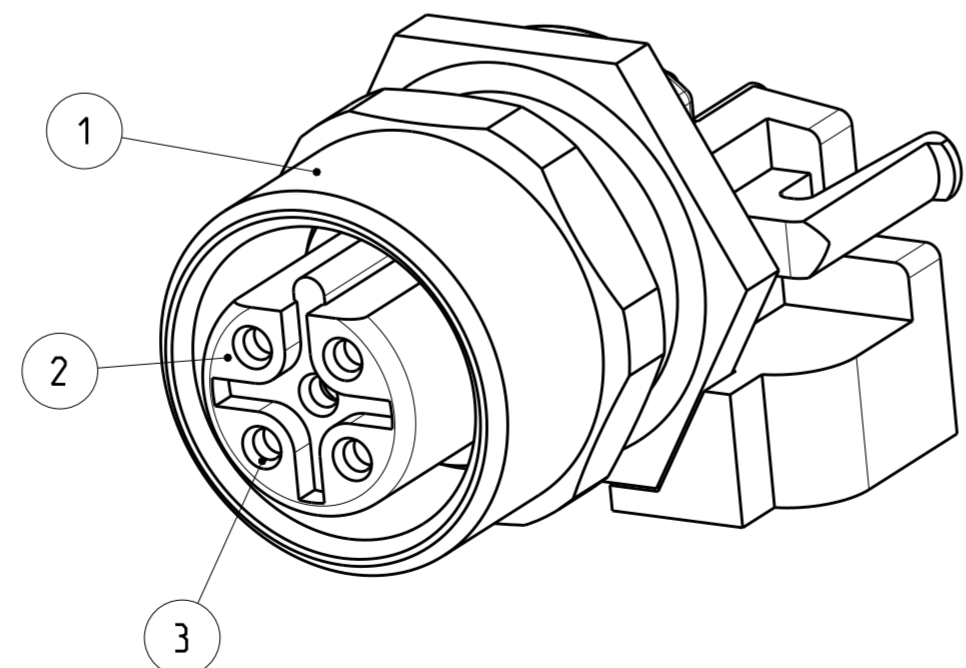
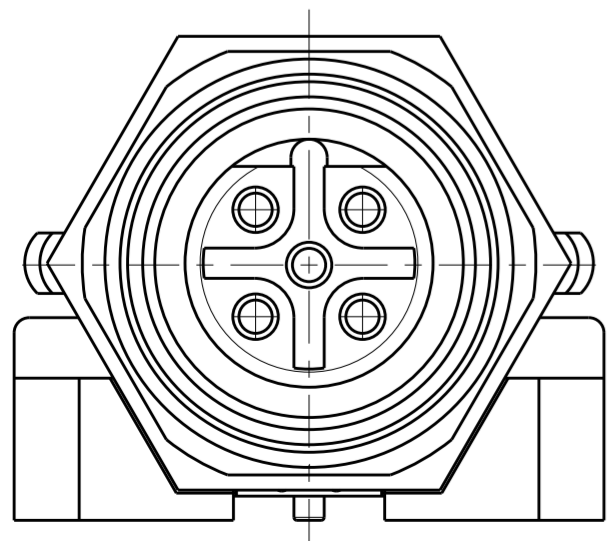
2 ALL DIMENSIONS ARE FOR NOMINAL REFERENCE ONLY UNLESS OTHERWISE STATED

TECHNICAL DATA		4-2172074-2
RATED VOLTAGE		125V
RATED IMPULSE VOLTAGE		1500V
POLLUTION DEGREE		3
OVERVOLTAGE CATEGORY		II
MATERIAL GROUP		II
RATED CURRENT		4A
VOLUME RESISTIVITY		≤ 3mΩ
DEGREE OF PROTECTION		IP68
UPPER TEMPERATURE		+85 °C
LOWER TEMPERATURE		+40 °C



PIN ARRANGEMENT B-CODING

4-2172074-2



SIZE ISO 14405 (E)

DIESE ZEICHNUNG IST EIN KONTROLLIERTES DOKUMENT. BEMASSUNGEN UND TOLERANZEN GEMAESS GPS (ISO STANDARDS).

THIS DRAWING IS A CONTROLLED DOCUMENT. DIMENSIONING AND TOLERANCING PER GPS (ISO STANDARDS).

DIMENSIONS: MASSE/WEITEN: (MM)	TOLERANCES UNLESS OTHERWISE SPECIFIED: ALLGEMEINTOLERANZEN
0 PLC	±
1 PLC	±
2 PLC	±
3 PLC	±
4 PLC	±
ANGLES/WINKEL	±
FINISH/OBERFLÄCHE/FARBE	-

DWN	YASHKUMAR	25 JUL 2014
CHK	M. BRUBAKER	25 JUL 2014
APVD	M. BRUBAKER	25 JUL 2014
PRODUCT SPEC	108-19483	
APPLICATION SPEC	114-32127	
WEIGHT	-	
Customer Drawing		

⚠	5	4-2172074-2
MATERIAL	NUMBER OF POLES	TE-PART-NO.
STE TE Connectivity		
NAME M12 RECEPTACLE CONNECTOR, PCB ASSEMBLY, STRAIGHT, SHIELDED B CODING		
SIZE	CAGE CODE	DRAWING NO. ZEICHNUNGS-NR.
A2	00779	C-2172074
RESTRICTED TO NUR FÜR	SCALE MASSSTAB	SHEET BLATT
-	2:1	1 OF 1
REV	A	