

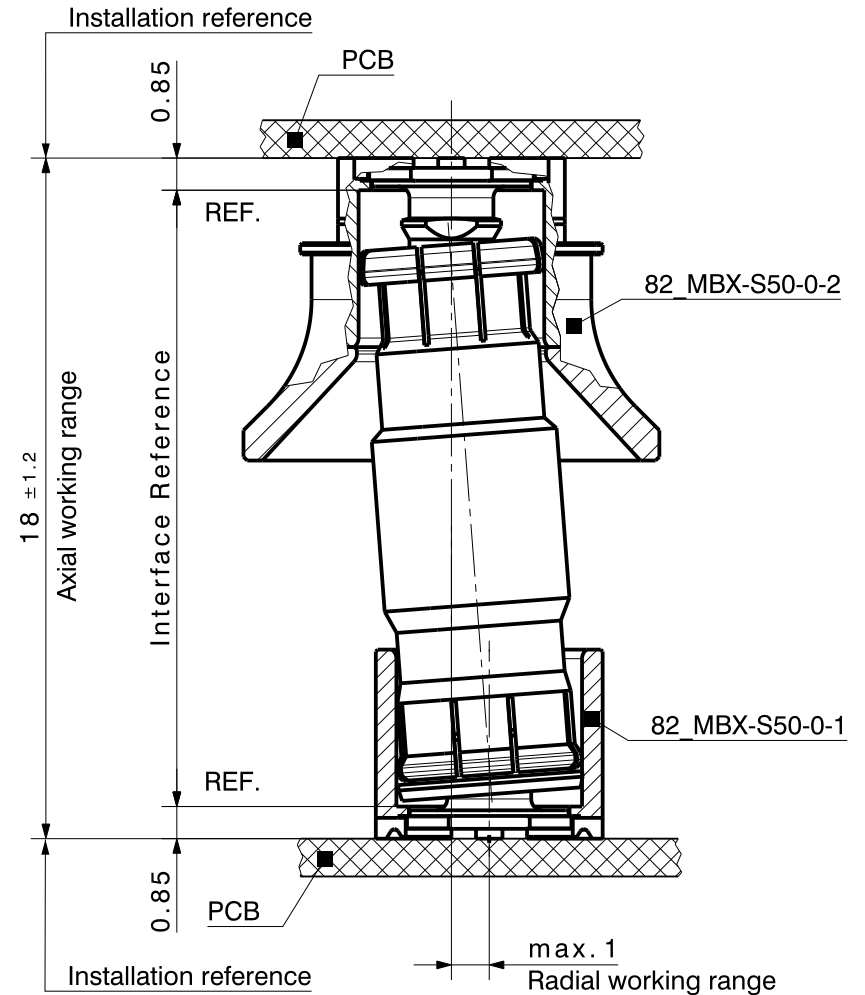
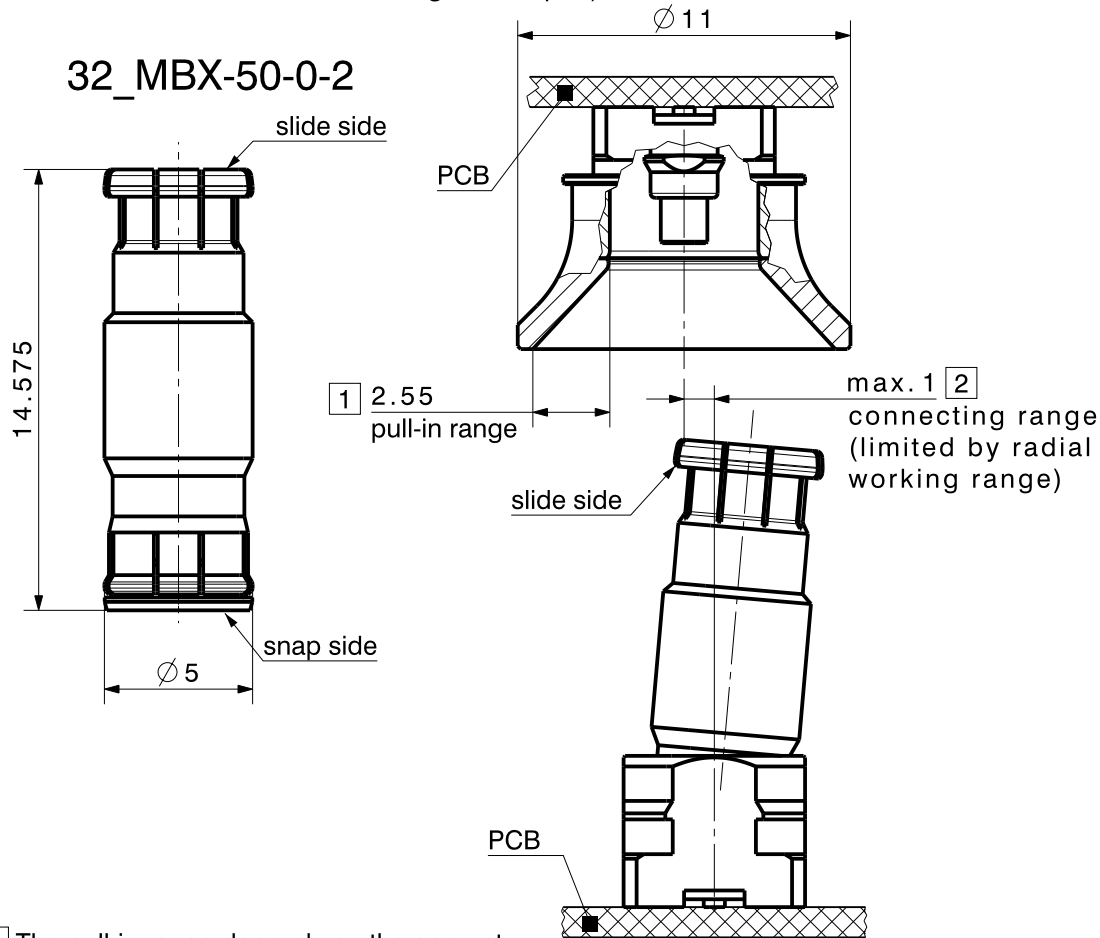
Diese Zeichnung ist unser geistiges Eigentum und darf ohne unsere Erlaubnis weder kopiert, vervielfältigt noch Dritten oder Konkurrenzfirmen zugänglich gemacht werden. (Art. 12 B.G.)
 This drawing is copyright. Information contained therein is supplied in confidence and must not be used for any other purpose than which it was supplied, or be reproduced without written permission of the owners.

Connecting range

The connecting range is the maximum misalignment which allows a trouble-free connection with the counter PCB (blind mate, including maximum swiveling angle of adaptor)

Radial and axial working range

The radial and axial working range is the maximum misalignment that allows a sufficient electrical and mechanical connection



- 1 The pull-in range depends on the geometry of the PCB connector (size of lead-in).
- 2 If the misalignment between the PCB connectors is bigger than the specified tolerance for the connecting range, a "blind" assembly process of the two PCB's is no longer possible.

type / Typ: 32_MBX-50-0-2

⊕ dimensions in millimeter [mm]

part no. / Teile Nr.: PRO-00145547 C sheet/Blatt XX / XX

description / Beschreibung

drawing-no. / Zeichnungsnr. Release

Adapter

DOU-00145547

F



alternative ID: