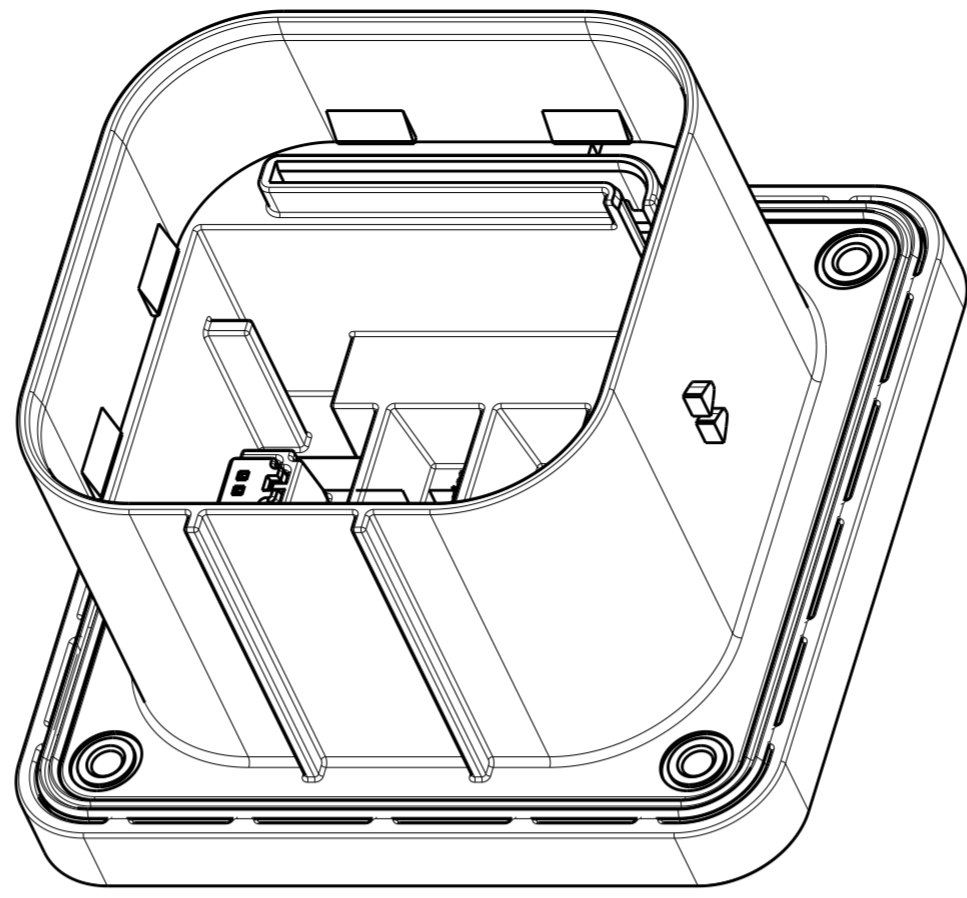


THIS DRAWING IS UNPUBLISHED. RELEASED FOR PUBLICATION
 © COPYRIGHT copyright.d8te- ALL RIGHTS RESERVED.

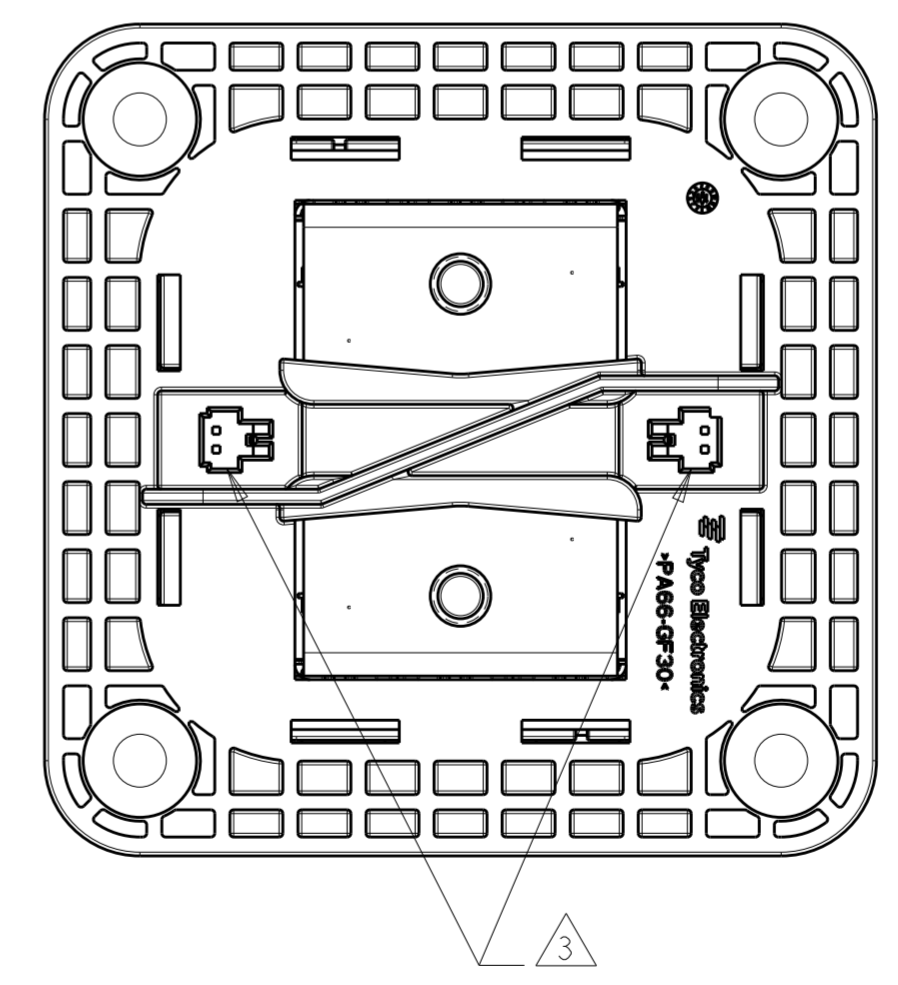
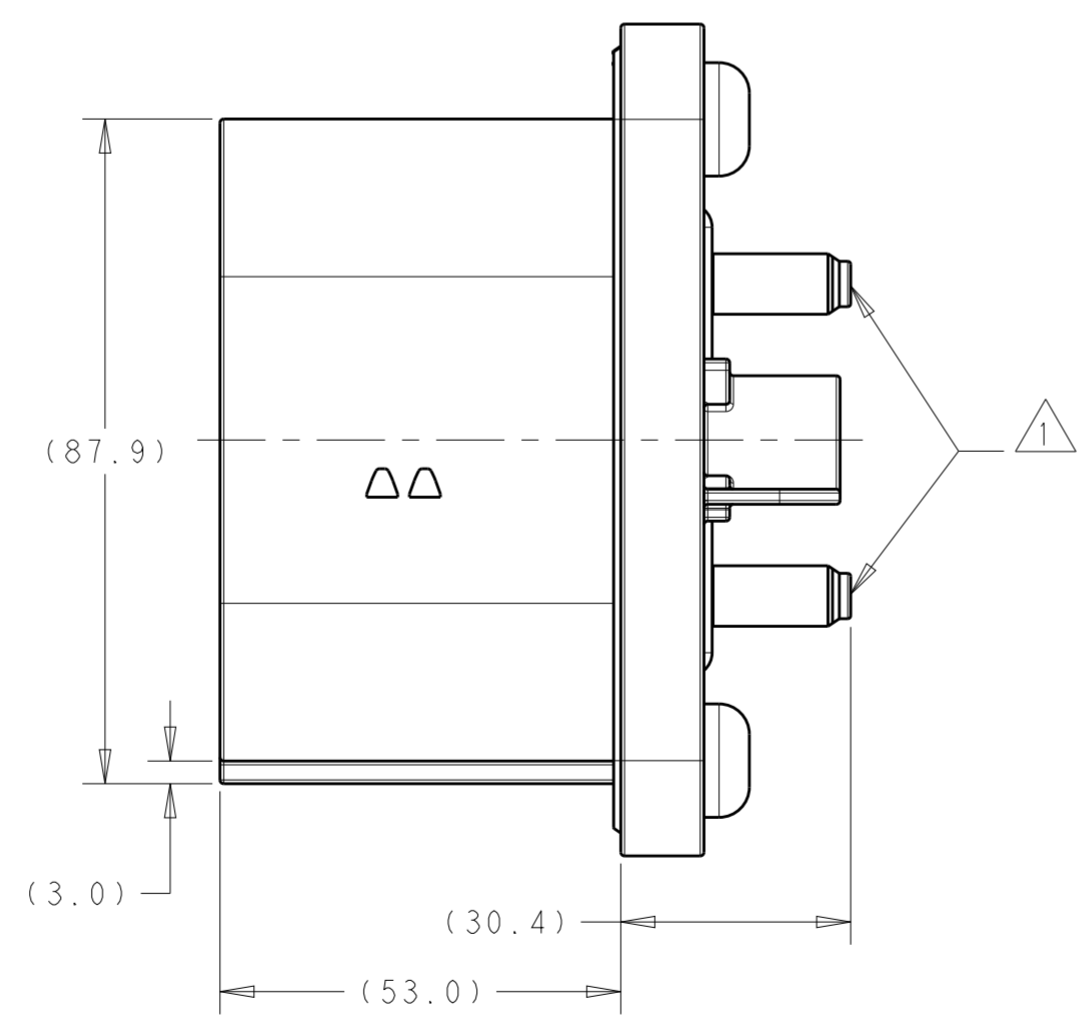
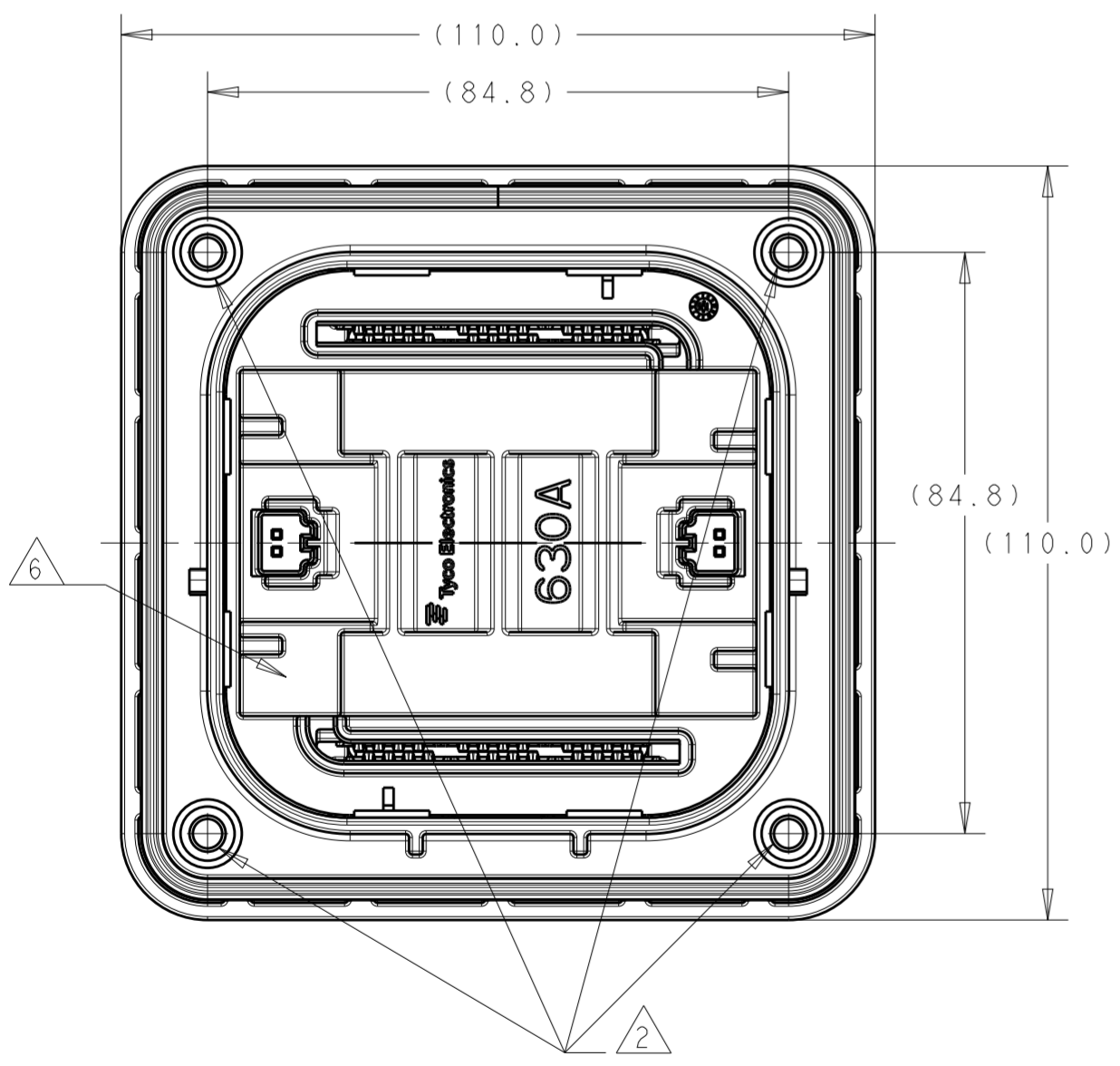
REVISIONS					
P	LTR	DESCRIPTION	DATE	DWN	APVD
A		RELEASED	21NOV2017	J.G	Z.L
A1		ECO-18-003507	15MAY2018	J.G	XX.L



ISOMETRIC VIEW
SCALE 1:1

NOTES:

- 1 M8x1.25 THREADED STUD
TORQUE LIMITS: 25Nm±1.5Nm
- 2 M6x1 THREADED INSERT
TORQUE LIMITS: 9Nm-11Nm
- 3 HVIL CONNECTOR RETAINING LOCATIONS
HVIL CONNECTOR:
1534112-1 (RETAINER; MQS; 2P)
1-1534113-1 (RECEPTACLE HOUSING; MQS; 2P)
HVIL CONTACT:
928999-6 (SOCKET CONTACT; MQS; Ag)
- 4 MOUNTING SURFACE THICKNESS (MAX): 6.2mm
- 5 SURFACE FINISH AND FLATNESS APPLY WITHIN BOUNDARY SHOWN
- 6 INNER HOUSING MAY BE ASSEMBLED ROTATED 180° FORM AS SHOWN
- 7 ASSEMBLY / WORK INSTRUCTIONS : 408-101004
- 8 SEE SHEET 2 FOR FUSE RATING MARKINGS AND KEYING CONFIGURATIONS
- 9 SURFACE FINISH IN MICRONS (µm)

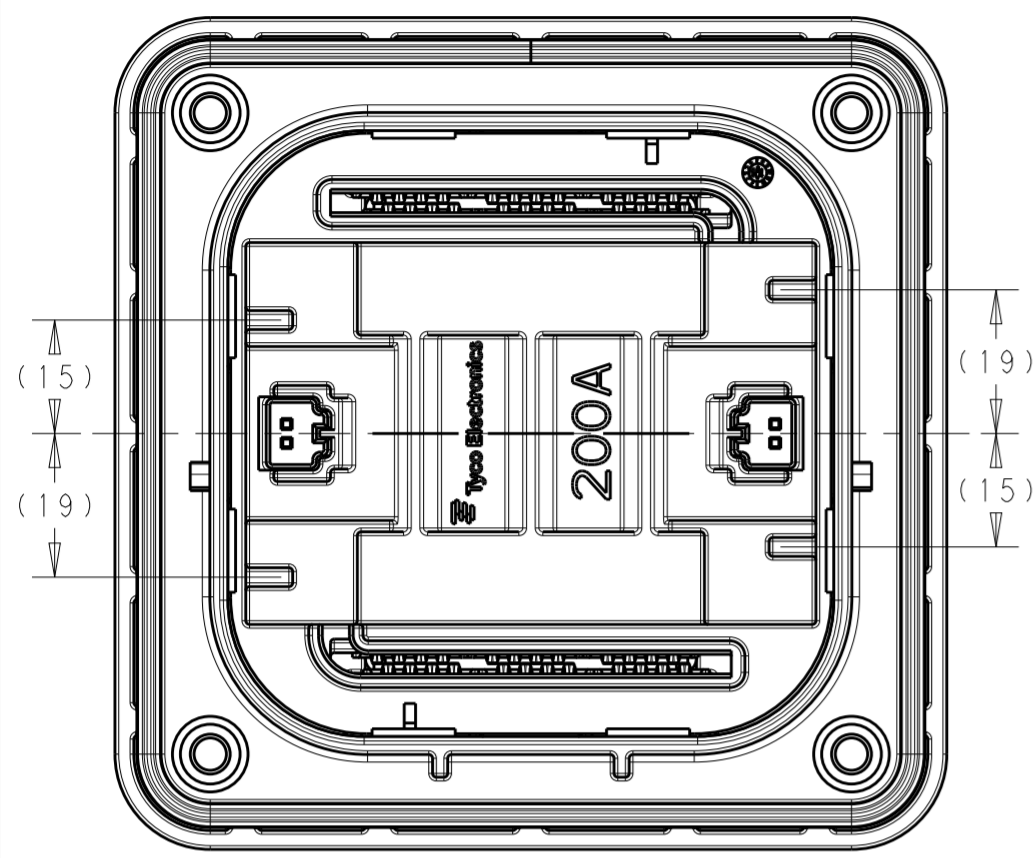


PART DISCIPTION	PART NUMBER
M8 THREADED STUD; MARKING SHUNT	2315855-7
M8 THREADED STUD; MARKING 630A	2315855-6
M8 THREADED STUD; MARKING 500A	2315855-5
M8 THREADED STUD; MARKING 450A	2315855-4
M8 THREADED STUD; MARKING 350A	2315855-3
M8 THREADED STUD; MARKING 250A	2315855-2
M8 THREADED STUD; MARKING 200A	2315855-1

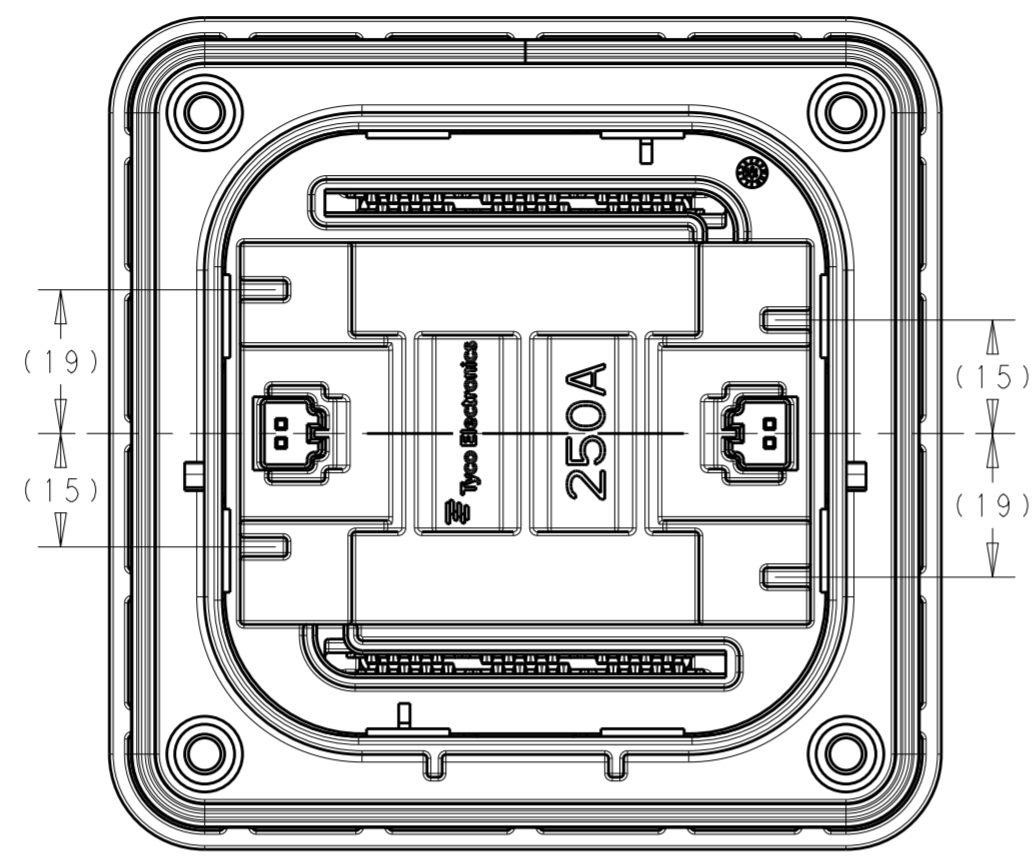
THIS DRAWING IS A CONTROLLED DOCUMENT.		DWN J. GAO 21NOV2017	TE Connectivity	
DIMENSIONS: mm		CHK XX.L 21NOV2017		
TOLERANCES UNLESS OTHERWISE SPECIFIED:		APVD ZF.L 21NOV2017	NAME MSD, REC HSG ASSY, V0, M8 MANUAL SERVICE DISCONNECT	
0 PLC ±		PRODUCT SPEC 108-101601	SIZE A2	
1 PLC ±		APPLICATION SPEC	CAGE CODE -	
2 PLC ±		WEIGHT 358g	DRAWING NO C-2315855	
3 PLC ±		CUSTOMER DRAWING	RESTRICTED TO -	
4 PLC ±		SCALE 1:1	SHEET 1 OF 3	
ANGLES ±			REV A1	
FINISH				

THIS DRAWING IS UNPUBLISHED. RELEASED FOR PUBLICATION
 © COPYRIGHT copyright.d8te- ALL RIGHTS RESERVED.

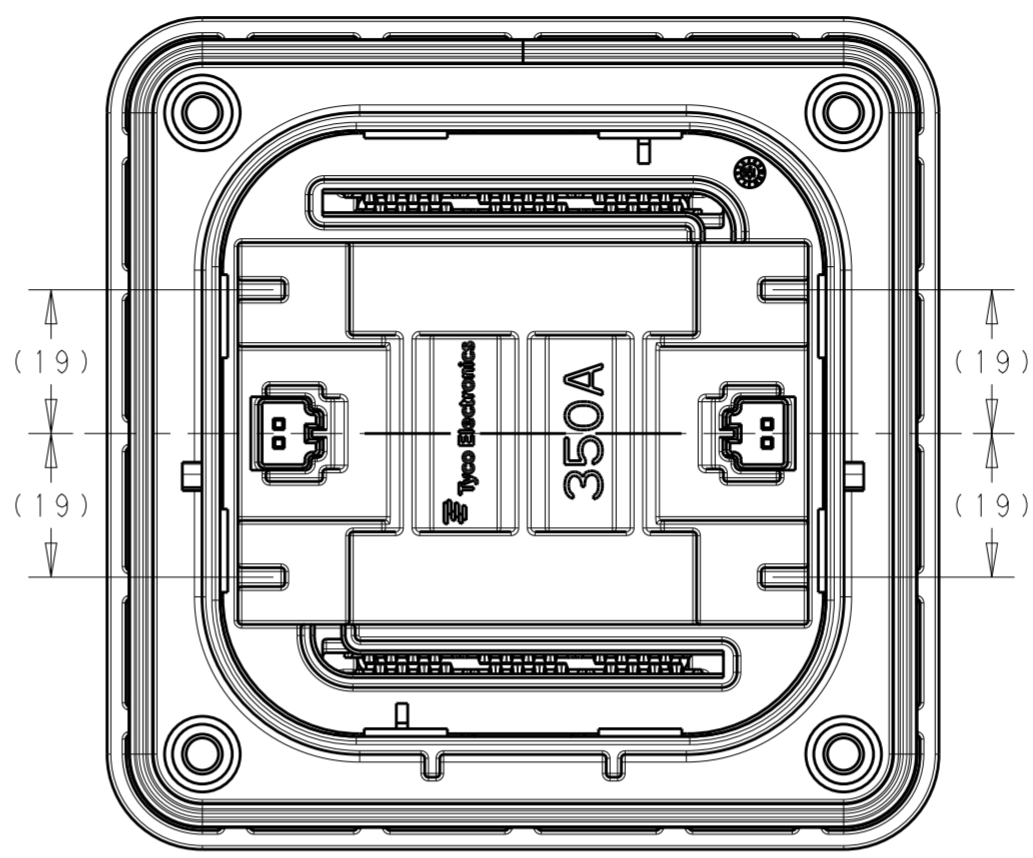
REVISIONS				
P	LTR	DESCRIPTION	DATE	APVD
		SEE SHEET 1		



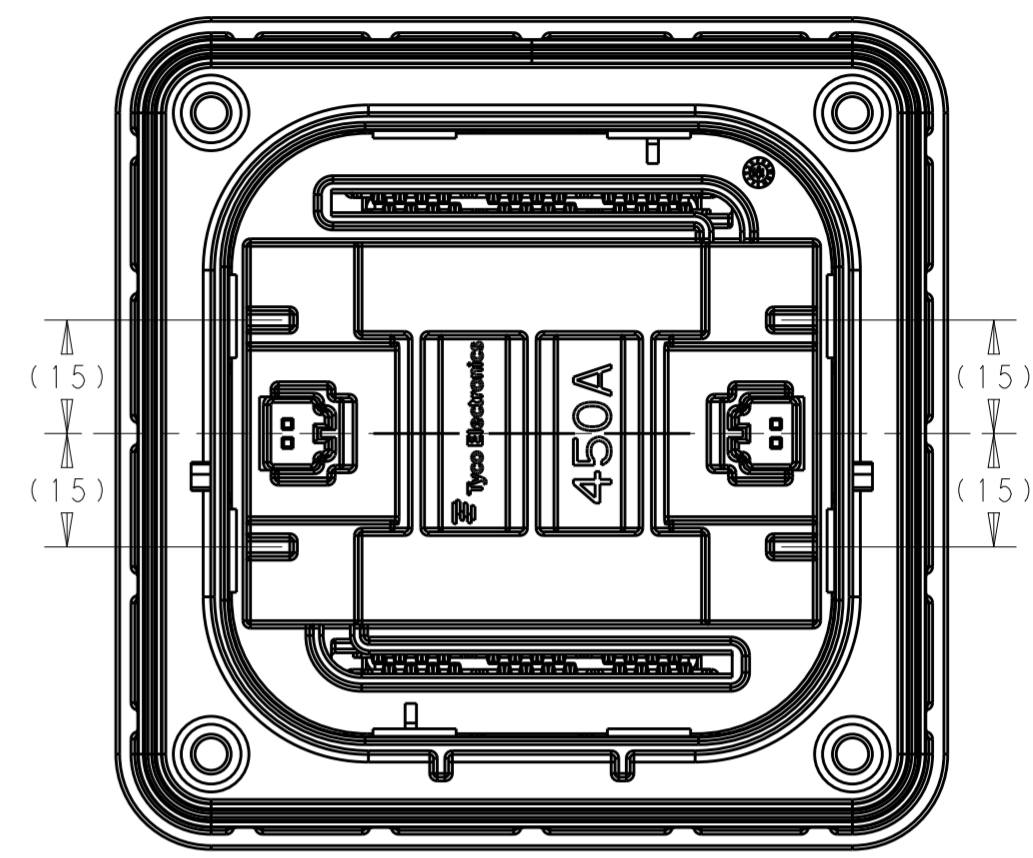
2315855-1
FUSE RATING:200A



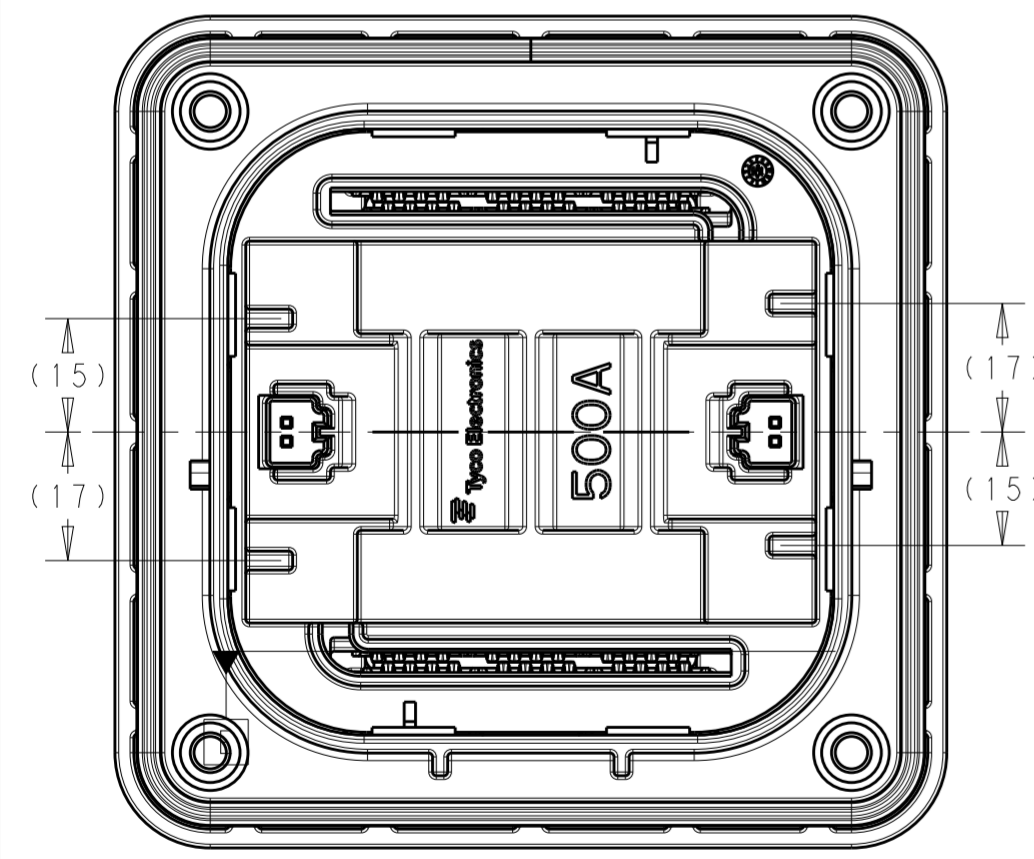
2315855-2
FUSE RATING:250A



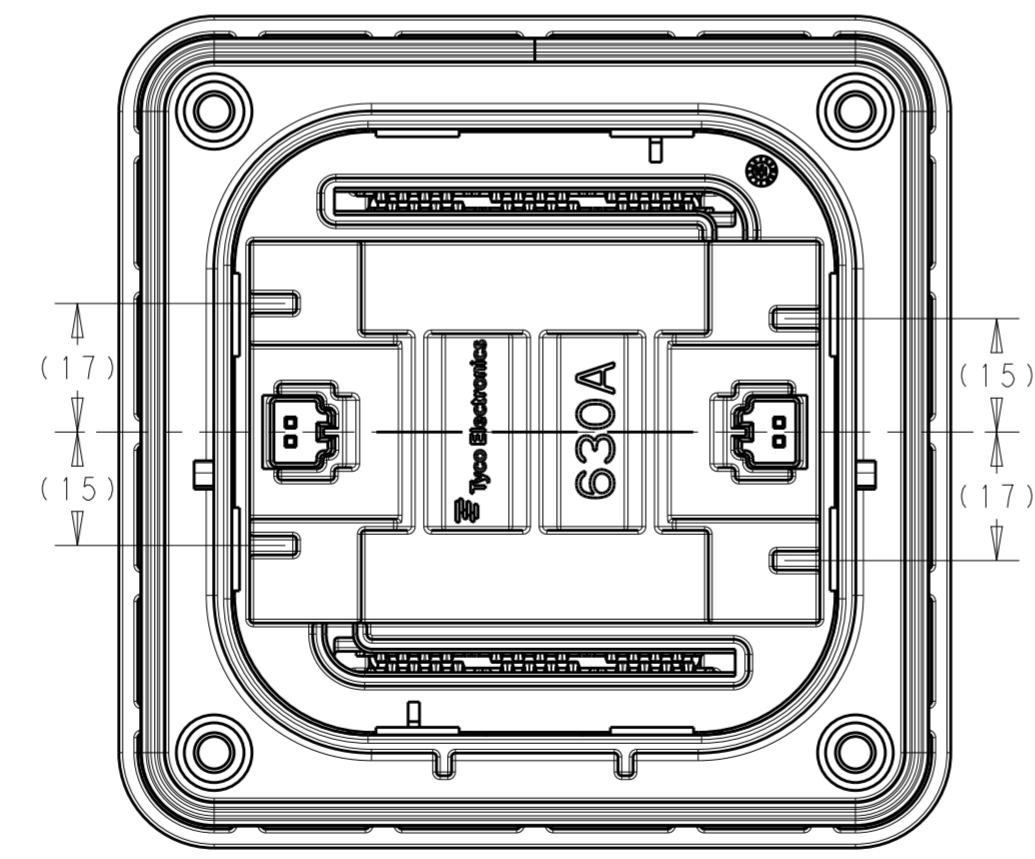
2315855-3
FUSE RATING:350A



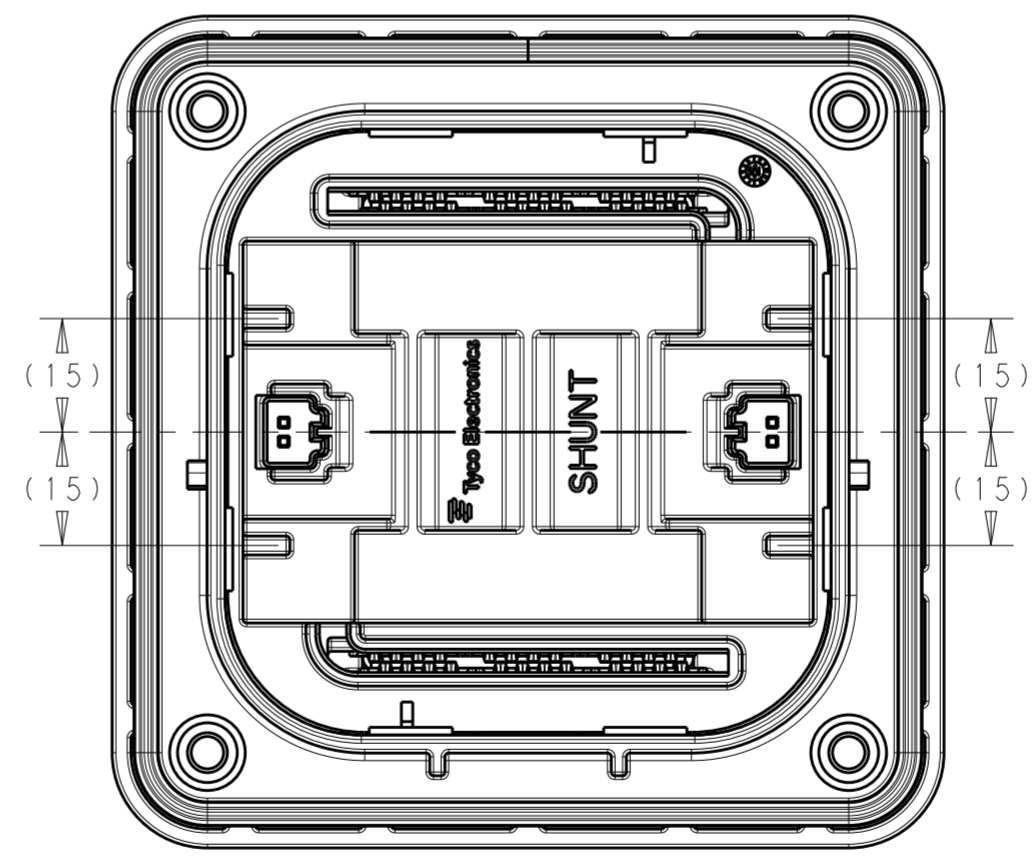
2315855-4
FUSE RATING:450A



2315855-5
FUSE RATING:500A



2315855-6
FUSE RATING:630A

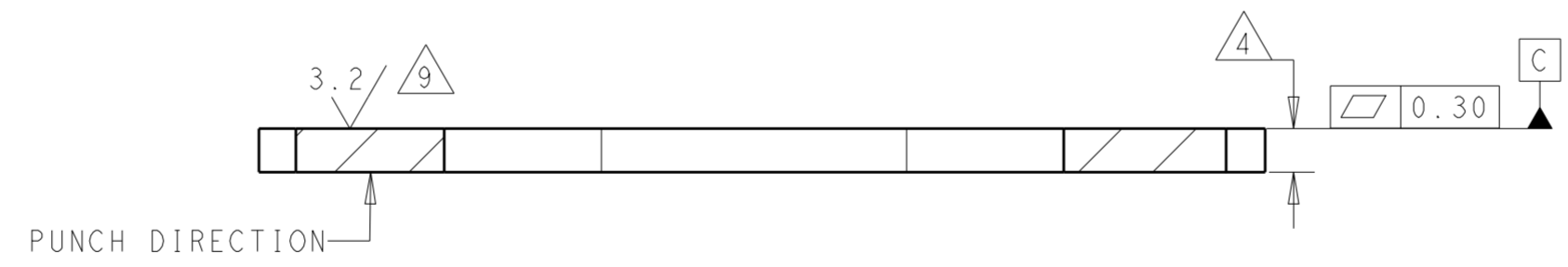
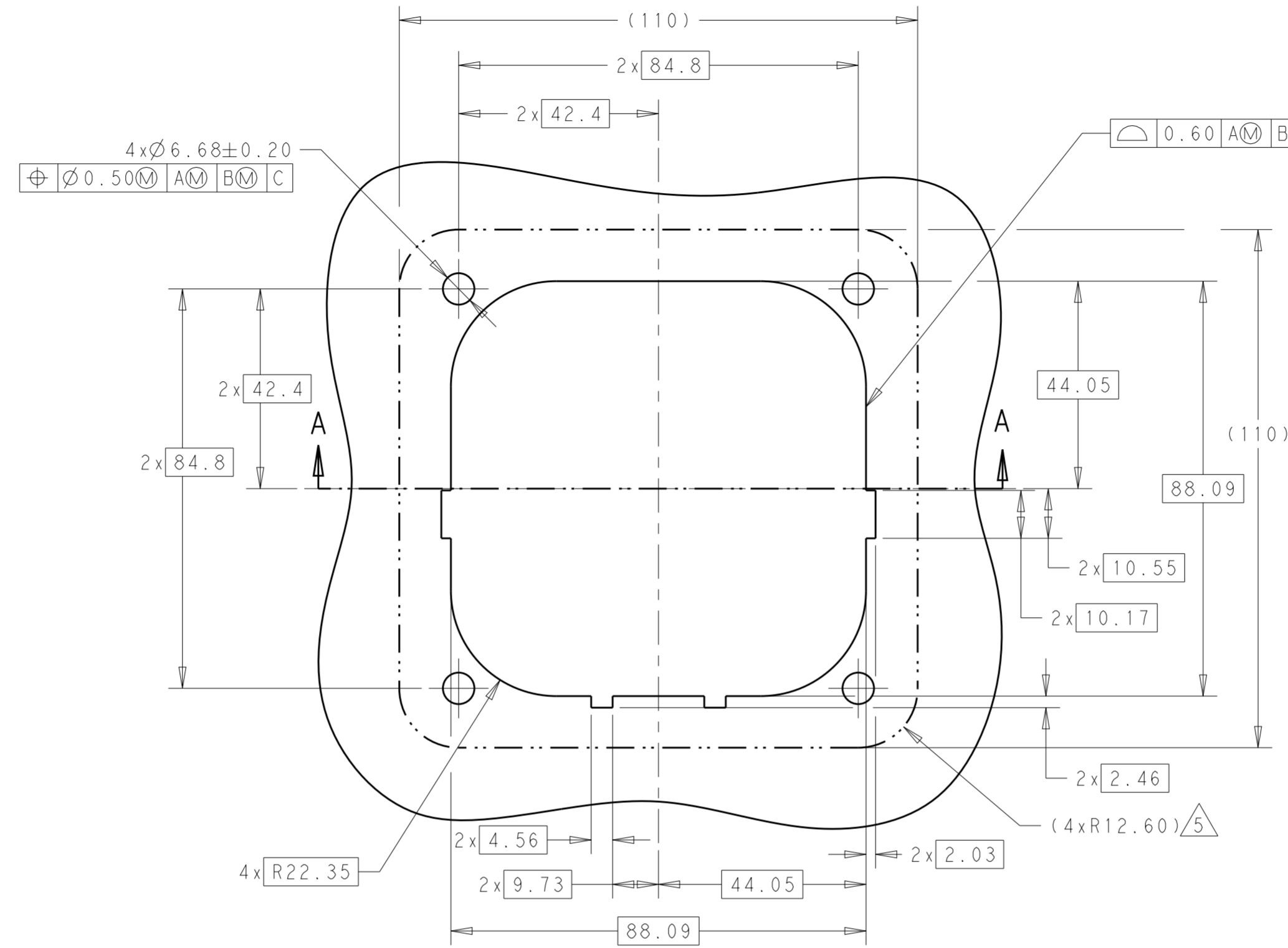


2315855-7
SHUNT

THIS DRAWING IS A CONTROLLED DOCUMENT.		DWN J. GAO 21NOV2017	TE Connectivity	
DIMENSIONS: mm		CHK XX.L 21NOV2017		
TOLERANCES UNLESS OTHERWISE SPECIFIED:		APVD ZF.L 21NOV2017	NAME MSD, REC HSG ASSY, V0, M8 MANUAL SERVICE DISCONNECT	
0 PLC ± 1 PLC ± 2 PLC ± 3 PLC ± 4 PLC ± ANGLES ± FINISH		PRODUCT SPEC 108-101601	SIZE A2	CAGE CODE -
MATERIAL		APPLICATION SPEC -	DRAWING NO G-2315855	RESTRICTED TO -
		WEIGHT 358g	SCALE 1:1	SHEET 2 OF 3
		CUSTOMER DRAWING	REV A1	

THIS DRAWING IS UNPUBLISHED. RELEASED FOR PUBLICATION
 © COPYRIGHT copyright.d8te- ALL RIGHTS RESERVED.

REVISIONS				
P	LTR	DESCRIPTION	DATE	APVD
		SEE SHEET 1		



SECTION A-A

MOUNTING INTERFACE SPECIFICATION

THIS DRAWING IS A CONTROLLED DOCUMENT.		DWN J. GAO 21NOV2017	TE Connectivity													
DIMENSIONS: mm		CHK XX.L 21NOV2017														
TOLERANCES UNLESS OTHERWISE SPECIFIED:		APVD ZF.L 21NOV2017	NAME MSD, REC HSG ASSY, V0, M8 MANUAL SERVICE DISCONNECT													
<table border="1"> <tr><td>0 PLC</td><td>±</td></tr> <tr><td>1 PLC</td><td>±</td></tr> <tr><td>2 PLC</td><td>±</td></tr> <tr><td>3 PLC</td><td>±</td></tr> <tr><td>4 PLC</td><td>±</td></tr> <tr><td>ANGLES</td><td>±</td></tr> </table>		0 PLC	±	1 PLC	±	2 PLC	±	3 PLC	±	4 PLC	±	ANGLES	±	PRODUCT SPEC 108-101601	SIZE A2	
0 PLC	±															
1 PLC	±															
2 PLC	±															
3 PLC	±															
4 PLC	±															
ANGLES	±															
MATERIAL		APPLICATION SPEC -	CAGE CODE -	DRAWING NO C-2315855												
FINISH		WEIGHT 358g	RESTRICTED TO -	SCALE 1:1												
		CUSTOMER DRAWING	SHEET 3	OF 3												
			REV A1													