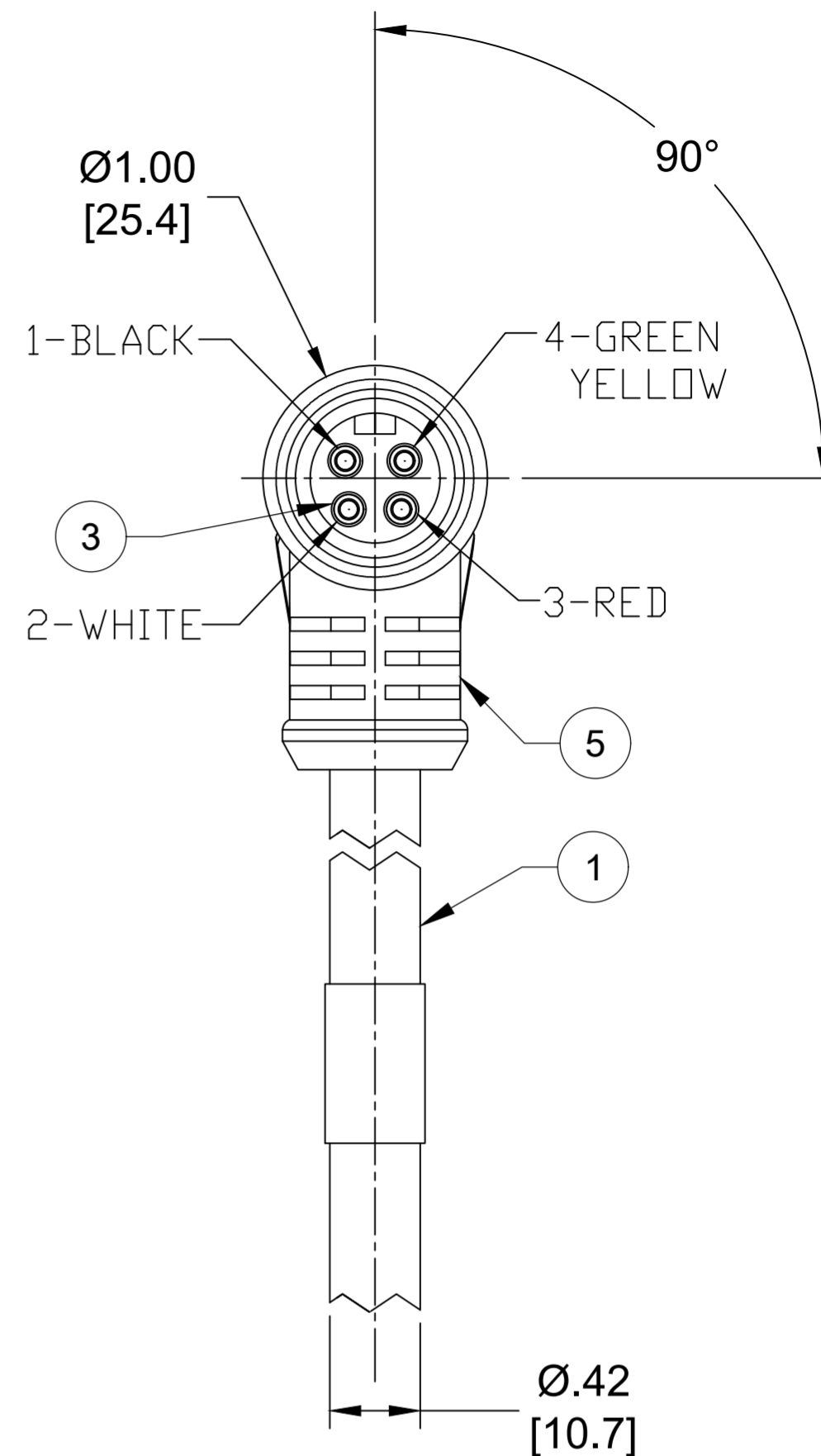
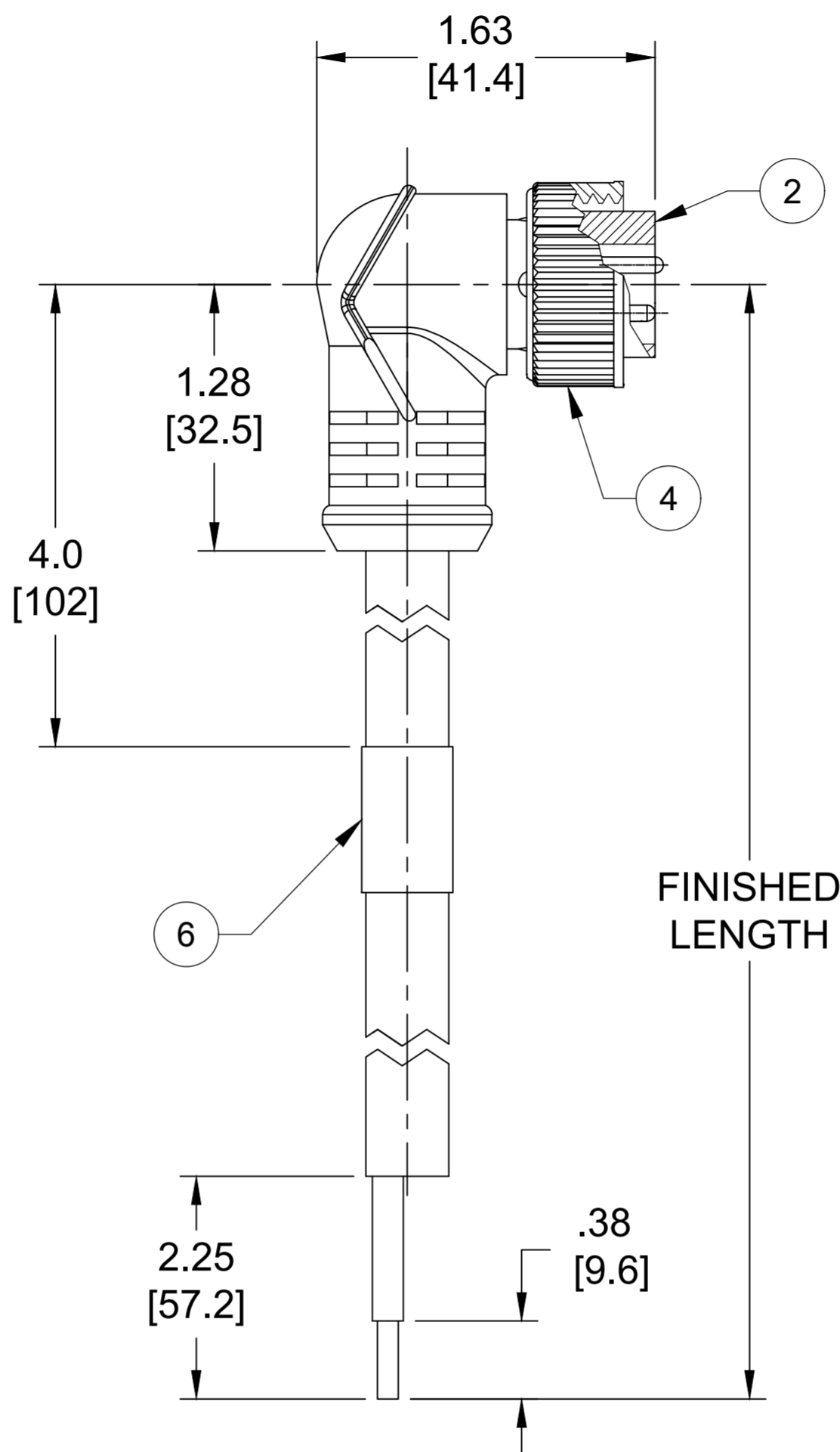
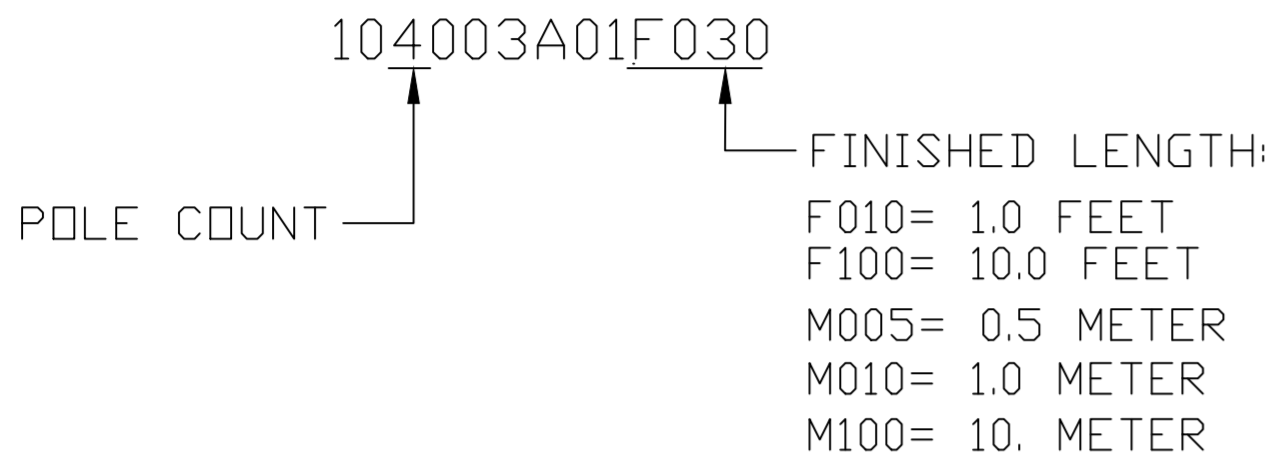


PART NO.	ENGINEERING NO.	FINISHED LENGTH
1300061105	104003A01M020	2.0M [6FT 7IN]
1300061084	104003A01F030	3.0FT [9.1M]
1300061087	104003A01F060	6.0FT [1.8M]
1300061095	104003A01F200	20.0FT [6.1M]

REF. THIS DRAWING SUPERSEDES SD-130006-035 REV-1 (A)

PART NUMBER LEGEND



- NOTES:**
1. MATERIAL: AS NOTED
 2. FINISH: AS NOTED
 3. ELECTRICAL:
VOLTAGE: 483V PER IEC60664
600V PER UL2238
CURRENT: 10A
 4. TEMP RATING: -20°TO +80°C
 5. PROTECTION: IP67 (WHEN MATED)
 6. COUPLING THREAD: 7/8-16UN
 7. UL RECOGNIZED FILE: E152210
CSA CERTIFIED FILE: LR6837
 8. ALL DIMS ARE FOR REFERENCE UNLESS TOLERANCED OR NOTED OTHERWISE

CABLE LENGTH TOLERANCES

>.3M [1FT]	: +19mm-0 [+ .75in-0]
.3 - .9M [1 - 3FT]	: +44.5mm-0 [+1.75in-0]
.9 - 1.8M [3 - 6FT]	: +55.6mm-0 [+2.19in-0]
1.8 - 3.7M [6 - 12FT]	: +88.9mm-0 [+3.50in-0]
3.7 - 7.3M [12 - 24FT]	: +165.1mm-0 [+6.50in-0]
7.3-14.6M [24 - 48FT]	: +317.5mm-0 [+12.50in-0]
14.6 - 30.5M [48-100FT]	: +622.3mm-0 [+24.50in-0]
OVER 30M [100FT]	: +2% OF FINISHED LENGTH

ITEM	DESCRIPTION	MATERIAL	FINISH
6	WRAP LABEL	VINYL	BLACK/YELLOW
5	OVERMOLD	TPE	YELLOW
4	COUPLING NUT, INT. THD	ZINC DIE-CAST	NICKEL PLATED
3	CONTACT PIN	COPPER ALLOY	GOLD PLATED
2	MALE INSERT	TPE	YELLOW
1	CABLE, 16/4, ST00W	PVC JACKET	YELLOW

SYMBOLS		THIS DRAWING CONTAINS INFORMATION THAT IS PROPRIETARY TO MOLEX ELECTRONIC TECHNOLOGIES, LLC AND SHOULD NOT BE USED WITHOUT WRITTEN PERMISSION	
▽ = 0	4 PLACES ±----	INCH/MM	SCALE 1:1
▽ = 0	3 PLACES ±----	CURRENT REV DESC: REDRAWN, WAS SD-130006-035	
▽ = 0	2 PLACES ±----	GENERAL TOLERANCES (UNLESS SPECIFIED)	
▽ = 0	1 PLACE ±----	mm	INCH
▽ = 0	0 PLACES ±----	EC NO: 624117	
▽ = 0	ANGULAR TOL ± ---- °	DRWN: RSTONE 2019/09/10	
▽ = 0	DRAFT WHERE APPLICABLE MUST REMAIN WITHIN DIMENSIONS	CHK'D: MZIELINSKI 2019/09/19	
▽ = 0	THIRD ANGLE PROJECTION	APPR: BWOODMAN 2019/10/03	
▽ = 0	DRAWING	INITIAL REVISION:	
▽ = 0	SERIES	DRWN: RSTONE 2019/09/10	
▽ = 0	MATERIAL NUMBER	APPR: BWOODMAN 2019/10/03	
▽ = 0	CUSTOMER	DOCUMENT NUMBER	
▽ = 0	SHEET NUMBER	1300061084	
▽ = 0		DOC TYPE DOC PART REVISION	
▽ = 0		PSD 000 A	