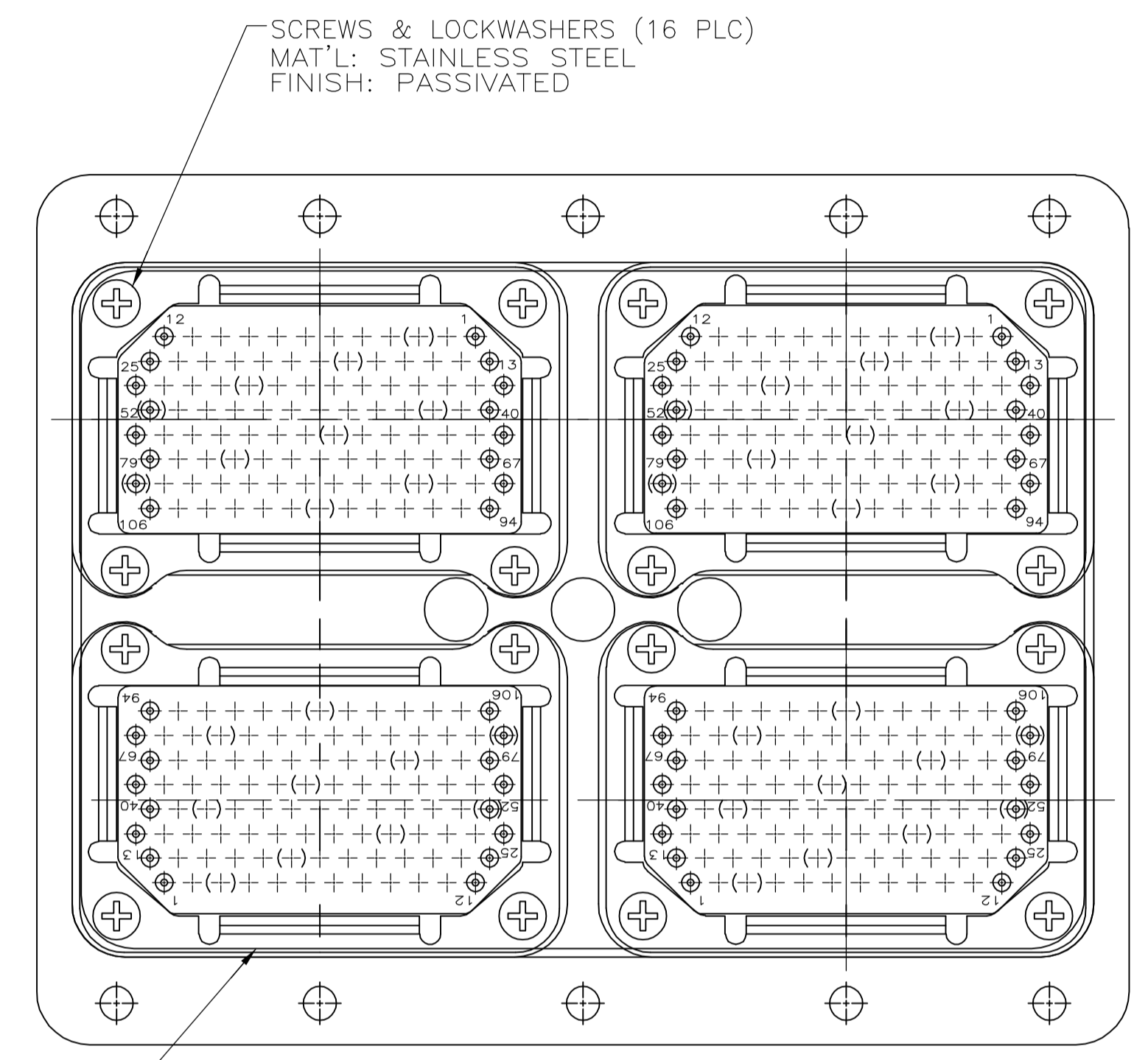
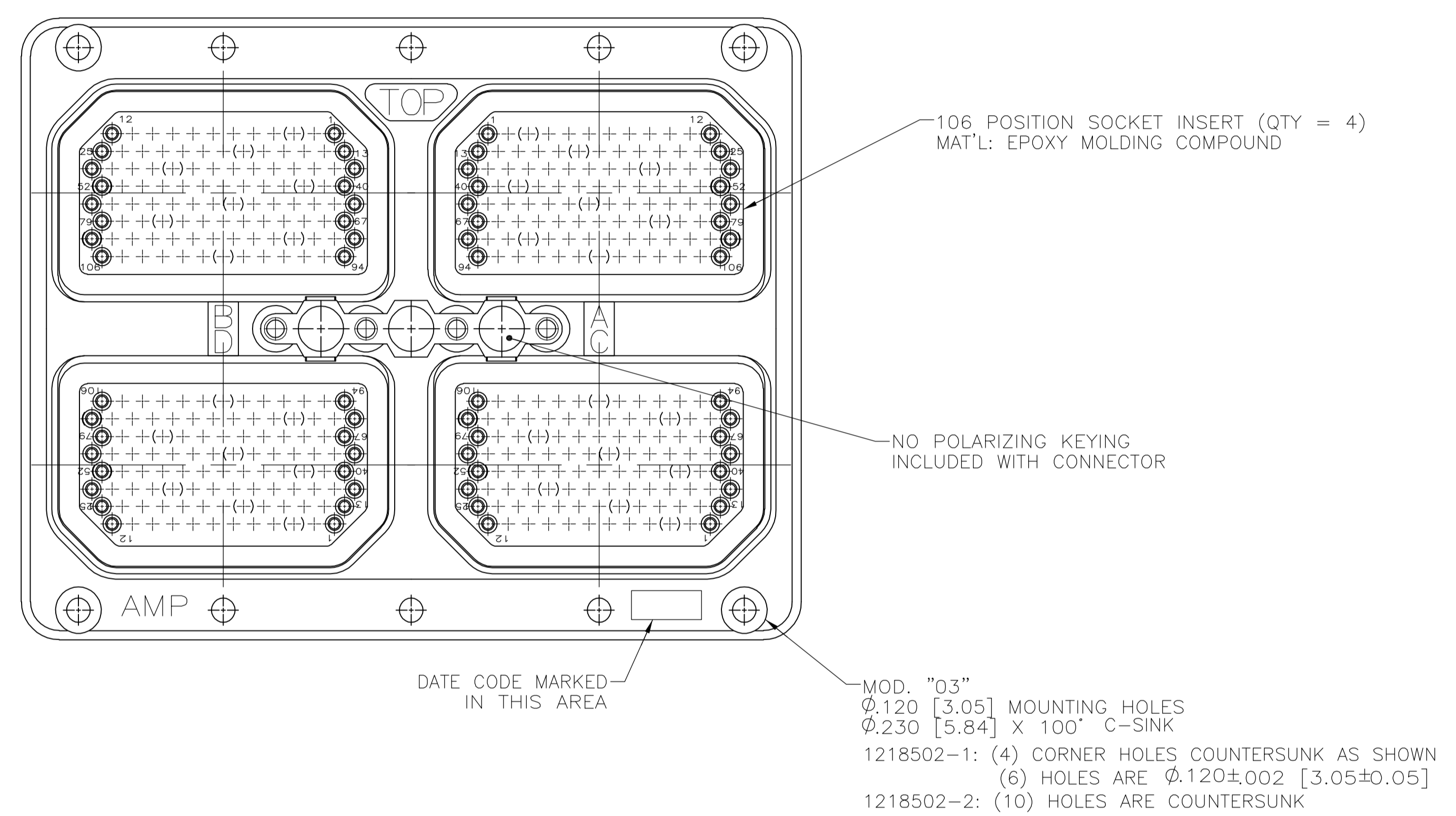
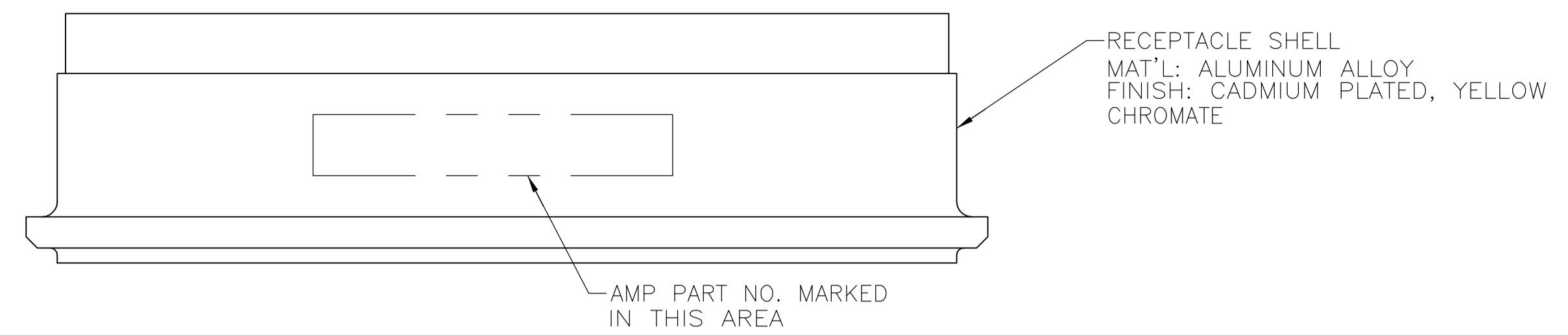
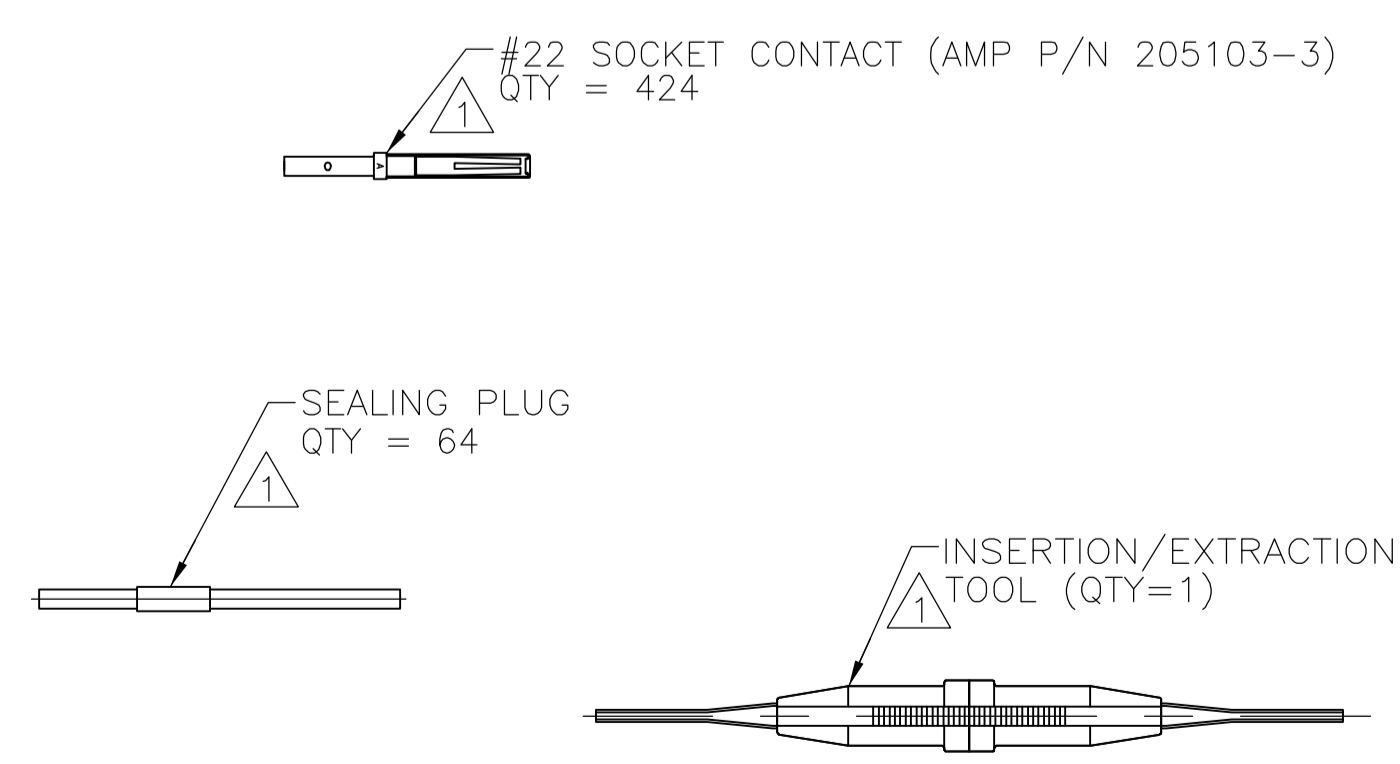


LOC	DIST	REVISIONS				
DF	AO	REV	DESCRIPTION	DATE	DWN	APVD
B		REV PER	OH14-0208-04	22SEP05	TK	CT



⚠ THESE ITEMS ARE PACKAGED SEPARATELY AND SHIPPED WITH CONNECTOR.



10 CSK HOLES	1218502-2
4 CSK HOLES	1218502-1
REMARKS	PART NUMBER

THIS DRAWING IS A CONTROLLED DOCUMENT.

DIMENSIONS: INCHES	TOLERANCES UNLESS OTHERWISE SPECIFIED:	DIN C.C.THOMAS 7-21-99	tyco Electronics Tyco Electronics Corporation Harrisburg, PA 17105-3608
0 PLC ± -	1 PLC ± -	CHK B.GROSS 7-21-99	NAME RECEPTACLE ASSY, ARINC 404 MME4R106S106S106S106S-0300 (200)
2 PLC ± -	3 PLC ± .005 [0.13]	APVD B.GROSS 7-21-99	SIZE CAGE CODE DRAWING NO. RESTRICTED TO
4 PLC ± -	ANGLES ± -	PRODUCT SPEC	A1 00779 C=1218502
MATERIAL SEE CALLOUTS	FINISH SEE CALLOUTS	APPLICATION SPEC	WEIGHT
CUSTOMER DRAWING		SCALE 2:1	SHEET 1 OF 1 REV B