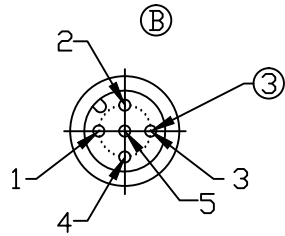
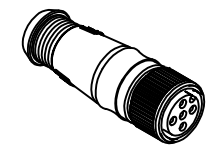
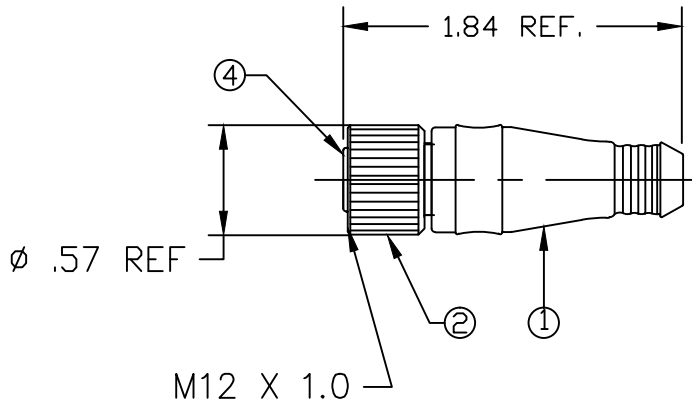


MOLEX PART NO.	ENGINEERING NUMBER
1200390003	DND150L

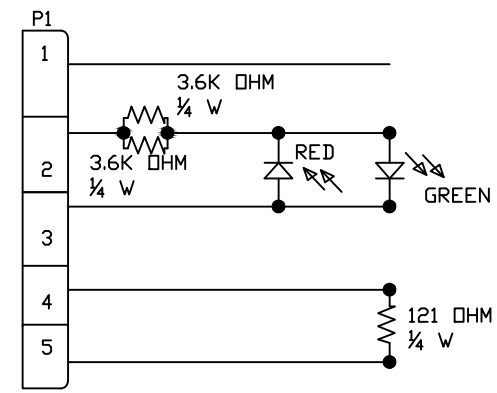


FRONT VIEW - FEMALE INSERT



NOTES:

- 1) MATERIAL: SEE TABLE
- 2) FINISHES: SEE TABLE
- 3) ELECTRICAL DATA:
MAX. VOLTAGE: 30V DC
MAX. CURRENT 4A
- 4) ENVIRONMENTAL:
PROTECTION IP67
- 5) ASSEMBLY IS RoHS COMPLIANT.



WIRING DIAGRAM

		UPDATED PIN NUMBERS		QUALITY SYMBOLS =0 =0	GENERAL TOLERANCES (UNLESS SPECIFIED)		DIMENSION STYLE IN/MM		SCALE 1:1	DESIGN UNITS INCH	THIRD ANGLE PROJECTION	
		EC NO: IFC2016-0705 DRWN: GGUSTAFS 2015/11/06 CHKD: MZELIN 2015/12/22 APPR: BWOODMAN 2010/01/20			mm	INCH	DRAWN BY	DATE	TITLE	MICRO D-NET TERMINATOR 5P FEMALE LED TERMINATOR DEVICE-NET		
4	1	INSERT	NYLON	BLACK	4 PLACES	±---	±---	---	---	MATERIAL NO.		
3	5	SOCKET CONTACT	COPPER ALLOY	GOLD PLATED	3 PLACES	±---	±.005	CHECKED BY	DATE	DOCUMENT NO.		
2	1	M12 COUPLING NUT	ZINC DIE-CAST	BLACK	2 PLACES	±0.13	±.010	APPROVED BY	DATE	SHEET NO.		
1	1	OVERMOLD	PVC	CLEAR	1 PLACE	±0.25	±.020	JFMURPHY	2010/01/20	1 OF 1		
ITEM	QTY.	DESCRIPTION	MATERIAL	FINISH	ANGULAR ±1/2°			SEE CHART		SD-120039-002		
					DRAFT WHERE APPLICABLE MUST REMAIN WITHIN DIMENSIONS			THIS DRAWING CONTAINS INFORMATION THAT IS PROPRIETARY TO MOLEX INCORPORATED AND SHOULD NOT BE USED WITHOUT WRITTEN PERMISSION				

6

5

4

3

2

1