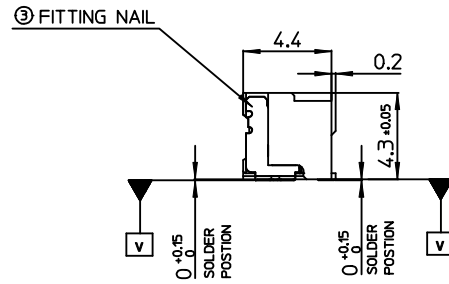
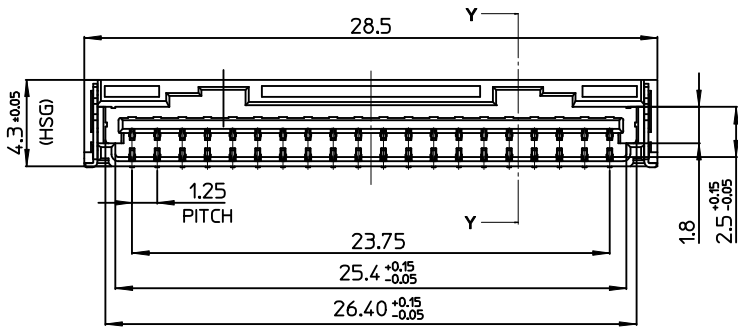
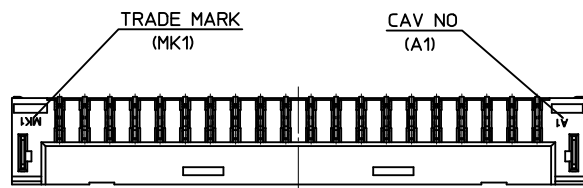
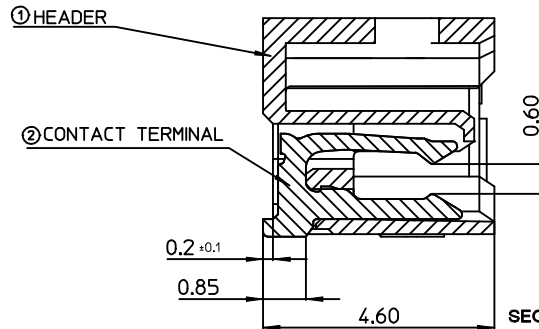
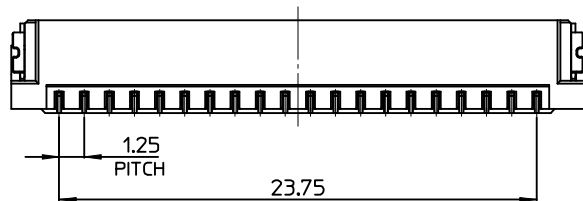


RECOMMEND PATTERN [REF.]
[PCB GENERAL TOLERANCE ±0.05]



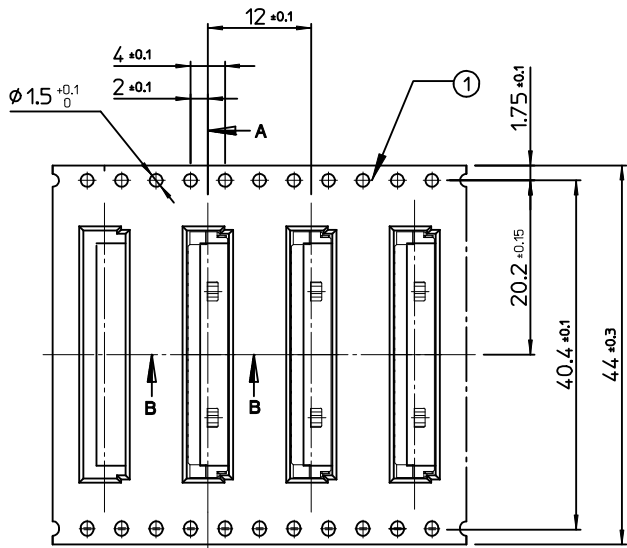
NOTES.

- MATED WITH : 104092-2000 / 2010
- MATERIALS
 - ⊙ HEADER : LCP, VECTRA E130i
GLASS FILLED, UL94V-0,
HALOGEN FREE,NATURAL COLOR
 - ⊙ CONTACT TERMINAL : PHOSPHOR BRONZE,0.2Thickness
 - ⊙ FITTING NAIL : PHOSPHOR BRONZE,0.2Thickness
- FINISHES
 - ⊙ CONTACT TERMINAL : PURE-TIN PLATING ON OVERALL.
THICKNESS 3.0μm~5.0μm
UNDER PLATING Ni OVERALL.
THICKNESS 1.25μm~3.75μm
 - ⊙ FITTING NAIL : PURE-TIN PLATING ON OVERALL.
THICKNESS 3.0μm~5.0μm
UNDER PLATING Ni OVERALL.
THICKNESS 1.25μm~3.75μm
- COPLANALITY OF SOLDER TAILS (PEAK TEMP. : 260°C),
BEFORE&AFTER REFLOW : 0.08MAX
- PRODUCT SPECIFICATION : PS-104091-001

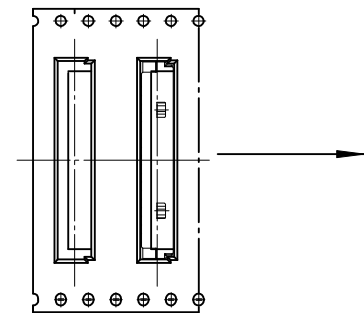


ORDER NO 104091-2020

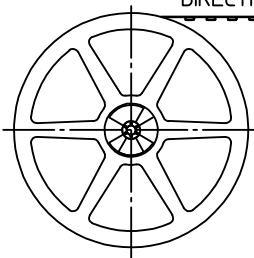
RELEASED EC NO: KOR2012-0022 DRWN: JHPARK01 2010/06/10 CHKD: SHCHU APPR: YUNSIKKIM 2011/09/30	QUALITY SYMBOLS ▽=0 ▽=0	GENERAL TOLERANCES (UNLESS SPECIFIED) <table border="1"> <tr> <td></td> <td>mm</td> <td>INCH</td> </tr> <tr> <td>4 PLACES</td> <td>± ---</td> <td>± ---</td> </tr> <tr> <td>3 PLACES</td> <td>± ---</td> <td>± ---</td> </tr> <tr> <td>2 PLACES</td> <td>± 0.15</td> <td>± ---</td> </tr> <tr> <td>1 PLACE</td> <td>± 0.20</td> <td>± ---</td> </tr> <tr> <td colspan="3">ANGULAR ± 1°</td> </tr> </table>		mm	INCH	4 PLACES	± ---	± ---	3 PLACES	± ---	± ---	2 PLACES	± 0.15	± ---	1 PLACE	± 0.20	± ---	ANGULAR ± 1°			DIMENSION STYLE MM ONLY	SCALE 4:1	DESIGN UNITS METRIC	THIRD ANGLE PROJECTION
		mm	INCH																					
	4 PLACES	± ---	± ---																					
	3 PLACES	± ---	± ---																					
2 PLACES	± 0.15	± ---																						
1 PLACE	± 0.20	± ---																						
ANGULAR ± 1°																								
DRAWN BY JH.PARK DATE 2010/04/10	CHECKED BY SH. CHU DATE 2010/04/10	APPROVED BY YUNSIKKIM DATE 2011/09/30	TITLE 1.25 W-T-B CONN. HEADER ASS'Y-20P	MOLEX INCORPORATED																				
DRAFT WHERE APPLICABLE MUST REMAIN WITHIN DIMENSIONS			MATERIAL NO. 1040912020	DOCUMENT NO. SD-104091-001	SHEET NO. 1 OF 01																			
THIS DRAWING CONTAINS INFORMATION THAT IS PROPRIETARY TO MOLEX INCORPORATED AND SHOULD NOT BE USED WITHOUT WRITTEN PERMISSION																								



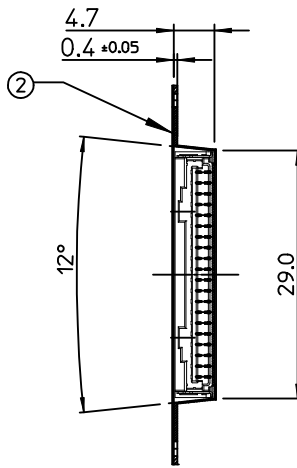
PULL OUT DIRECTION



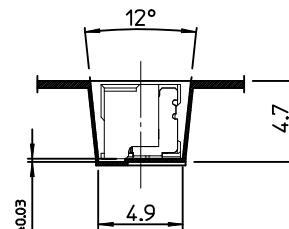
PULL OUT DIRECTION



PLASTIC BOBBIN



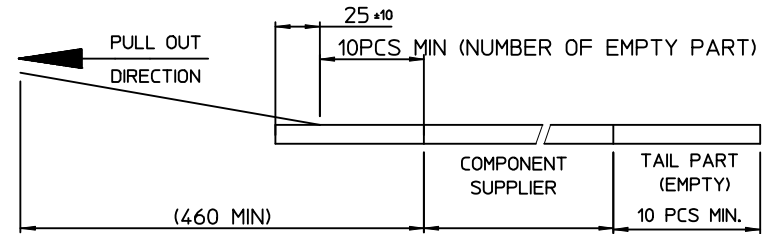
SECTION A-A



SECTION B-B

NOTES.

1. QUANTITY OF CONNECTORS : 1,500 PCS/REEL
2. LEAD LENGTH



3. PEELING OFF FORCE OF COVER TAPE : 0.1N~0.59N(10.2GF~60GF)
(PEELING DIRECTION AS SHOR IN FOLLOW FIG.)
PEELING OFF SPEED : 300mm/MIN.(Ref.)



4. FLASH IN ANY PORTION SHOULD BE LESS THAN 0.20mm MAX.
5. UNLESS OTHERWISE SPECIFIED INNER R 0.2 MAX
6. DRAFT ANGLE 3° MAX

3	PLASTIC BOBBIN	HI P.S	WHITE
2	COVER TAPE	PET ANTISTATIC	37.5 mm
1	CARRIER (EMBOSSD) TAPE	PET ANTISTATIC	
NO.	DESCRIPTION	MATERIAL	REMARK

ORDER No. 104091-2020

RELEASED EC NO: KOR2012-0022 DRWN: JHPARK01 2010/06/10 CH'KD: SH. CHU APPR: YUNS IKKIM 2011/09/30	QUALITY SYMBOLS ▽=0 ▽=0	GENERAL TOLERANCES (UNLESS SPECIFIED)		DIMENSION STYLE MM ONLY		SCALE 1:1	DESIGN UNITS METRIC	THIRD ANGLE PROJECTION			
		4 PLACES ± --- ± --- 3 PLACES ± --- ± --- 2 PLACES ± 0.15 ± --- 1 PLACE ± 0.20 ± ---	mm INCH	DRAWN BY JH. PARK	DATE 2010/04/11	TITLE EMBOSSD PACKAGE 1.25 W-T-B CONN HEADER ASS'Y-20P					
		ANGULAR ± 1°		CHECKED BY SH. CHU	DATE 2040/04/11	MOLEX INCORPORATED					
		DRAFT WHERE APPLICABLE MUST REMAIN WITHIN DIMENSIONS		APPROVED BY YUNS IKKIM	DATE 2011/09/30	MATERIAL NO. 1040912020	DOCUMENT NO. SD-104091-004	SHEET NO. 1 OF 01			