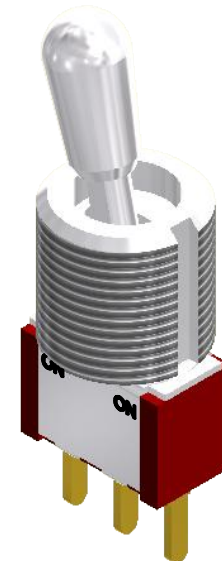
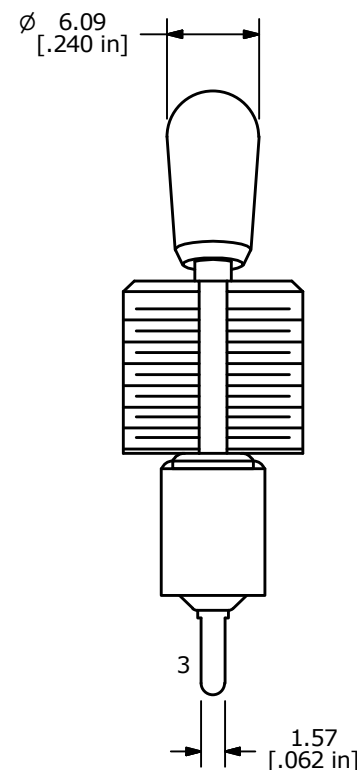
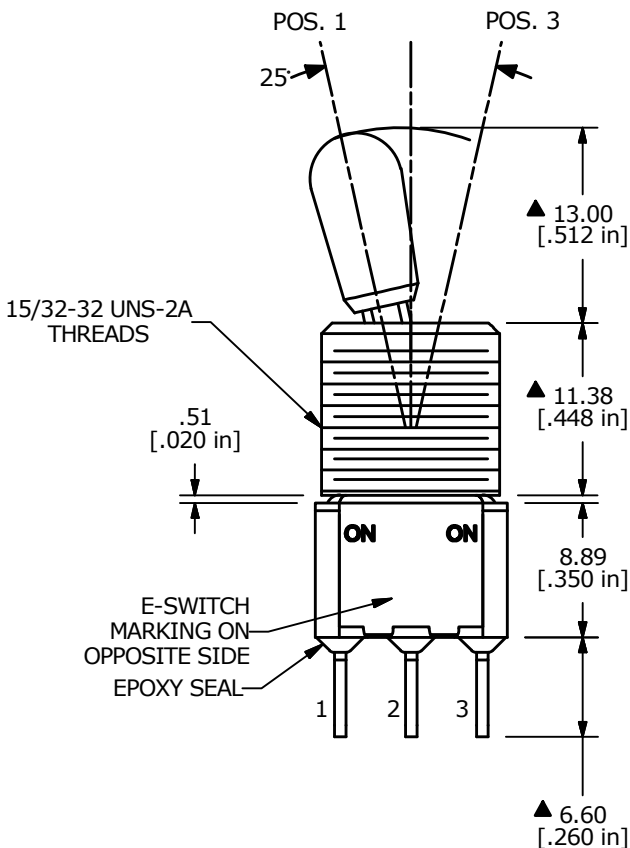
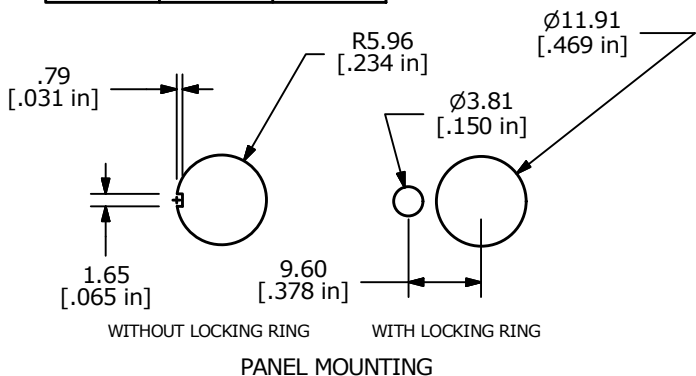
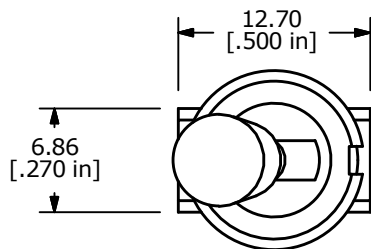
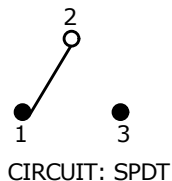


SWITCH FUNCTION		
POS. 1	POS. 2	POS. 3
ON	NONE	ON
2-3	OPEN	2-1



- NOTE:
- ALL DIMENSIONS IN MM [INCH]
  - GENERAL TOLERANCE: X.X=±0.4  
X.XX=±0.25
  - TERMINAL NUMBERS FOR REF ONLY
  - ▲ 4. PLATING MATERIAL: GOLD
  - RATING: 0.4 (VA) MAX. @20V MAX.
  - ELECTRIC LIFE: 40,000 MAKE-AND-BREAK CYCLES AT FULL LOAD.
  - INSULATION RESISTANCE: 1,000 MEGA-OHM MIN.
  - DIELECTRIC STRENGTH: 1,000 V RMS @SEA LEVEL.
  - OPERATING TEMP.: -30°C to 85°C
  - ▲ DENOTES CRITICAL PARAMETER.
  - HARDWARE TO BE SHIPPED BULK:  
T100020 - LOCK WASHER, QTY 1  
T100017 - LOCK RING, QTY 1  
T100019 - HEX NUT, QTY 2
  - 2011/65/EU (ROHS) COMPLIANT.



C	23149	ADDED .51 DIMENSION	12/29/17	MJR
B	16531	CHANGED SWITCH POSITION DIM.	10/16/2006	TN
REV	PCR NO	DESCRIPTION	DATE	BY

TITLE 100SP1T7B13M3REH				
SCALE 2:1	DATE 7/3/2006	DR CT	DWG ST111112	REV C

THE INFORMATION CONTAINED IN THIS DOCUMENT IS PROPRIETARY TO E-SWITCH AND IS NOT TO BE COPIED OR TRANSFERRED